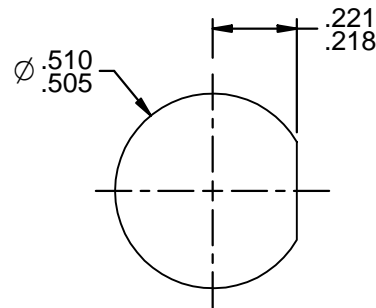


NOTES: UNLESS OTHERWISE SPECIFIED.

1. FINISH: PASSIVATED STAINLESS STEEL.
2. MAX PANEL THICKNESS: .160
3. CONCENTRIC TWINAX/TRIAX BULKHEAD MOUNT RECEPTACLE.
4. DIMPLE INDICATES CENTER CONTACT TAB.
5. LEAKAGE RATE: 1×10^{-8} ATM CC/SEC MAXIMUM OF INERT GAS (HELIUM) IAW MIL-STD-1344, REV A, METHOD 1008, TEMP. RANGE -45.6°C TO +71°C.



RECOMMENDED
PANEL CUTOUT

| | | | |
|---|--|--------------------------|-------------------------------------|
| | | Trompeter | |
| | RoHS <input checked="" type="checkbox"/> 2002/95/EC | Title: BJ376HS | |
| <small>This PROPRIETARY Document is property of Cinch Connectivity Solutions. It is confidential in nature, non-transferable, and issued with the clear understanding that it is not traced or copied without permission and is returnable upon demand.</small> | <small>UNLESS OTHERWISE SPECIFIED</small> UNITS: INCH .XX ±.03 .XXX ±.005 ANGLES ±1° | Model No. BJ376HS | |
| <small>INTERPRET DRAWING IN ACCORDANCE WITH ASME Y14.5-2009</small> | Size A | DO NOT SCALE DRAWING | Date: 1/31/2013 Sheet 1 of 1 |

X-ON Electronics

Largest Supplier of Electrical and Electronic Components

Click to view similar products for [Bel Fuse](#) manufacturer:

Other Similar products are found below :

[P2404DB](#) [FC100V20A-G](#) [5SF 200-R](#) [606DUGP](#) [M24308/1-12F](#) [M24308/2-336Z](#) [M24308/2-343Z](#) [M24308/24-5F](#) [70-1080](#) [73-6311-10](#) [73-6670-7](#) [PL1WC-026](#) [PL375C-201](#) [PL75-45BR](#) [PS-15206](#) [PSAC-17312](#) [PSK3616-7](#) [QM48T40033-PDB0](#) [127-0000-905](#) [127-0692-001](#) [127-2701-602](#) [ADBJ20-E1-BJ79](#) [DAMA15S](#) [ADPL75-E1-UBJ20](#) [ADRMF70](#) [ADT-2540-7M-SMM-02](#) [DCB-3510-FF-SMA-02](#) [DCDM100CS](#) [DCDM-15S6E5-36.0K](#) [DCHM15SCBRPN-HT1](#) [RFI21-13](#) [RFI75-8-D3](#) [DDM50SA156](#) [DEME9S](#) [DEMM9SM](#) [DFC10U48D12](#) [140-0000-954](#) [141-3901-802](#) [142-0233-001](#) [AM2003-9](#) [142-9404-011](#) [142-0298-001](#) [14-5642](#) [146-0701-301](#) [MS24264R10T20PY](#) [MS24264R10T2PY-LC](#) [MS24264R10T5PY-LC](#) [MS24264R10T5SY-LC](#) [MS24264R14B15SN-LC](#) [MS24264R14T15SN](#)