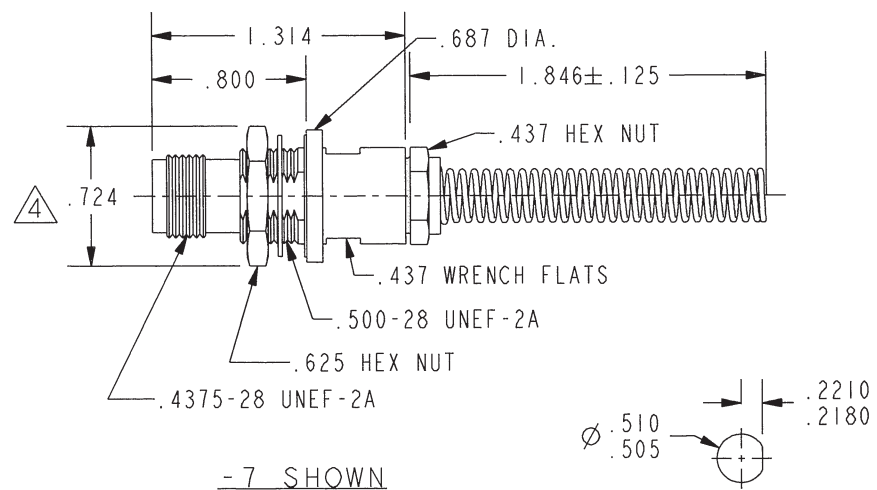
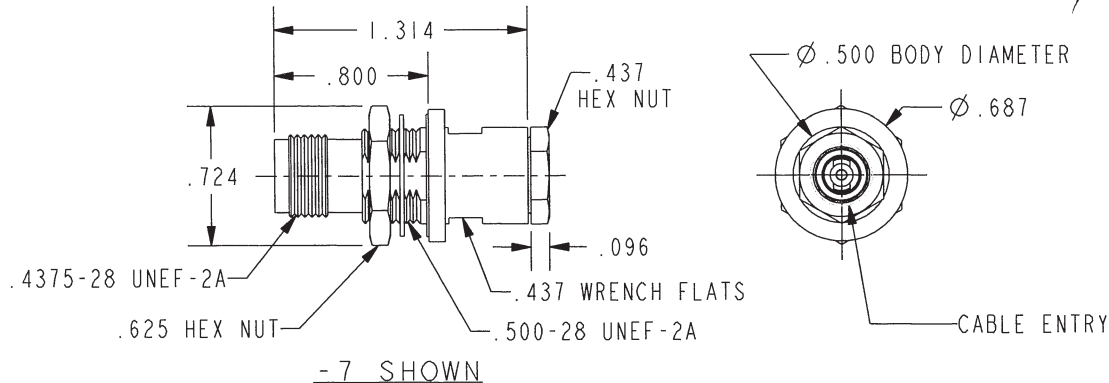


DASH NO	CABLES ACCOMODATED	ASSEMBLE PER
-7	TRC-50-2/TRC-75-2	TAI-189
-9	TWC-78-2/TWC-124-2	TAI-102
-23	250-3884, MICRODOT	TAI-189
-24	202-3934, MICRODOT	TAI-102
-24A	9530A5117, RAYCHEM	TAI-189
-25	T-43M, GENERAL	TAI-102
-25A	5021H5331, RAYCHEM	TAI-189
-26	7028A5518, RAYCHEM	TAI-189
-27	202-3927, MICRODOT	TAI-102
-29	TWC-78-1/TWC-124-1A	TAI-102
-30	761A, W.E.CO./8441, BELDEN	TAI-102
-32	TRC-50-1	TAI-189
-33	TRC-75-1	TAI-189
-42	21-204, ESSEX 4463, CONSOLIDATED	TAI-189
-43	250-4044/250-4045 293-3930, MICRODOT	TAI-189
-45	M27500-22TE2T14 1100-66F, STANDARD	TAI-102
-47	MI7/176-00002	TAI-102
-49	TWAC-78-1F2	TAI-189
-55	89272, BELDEN	TAI-189
-56	GC875GCI, GRUMMAN	TAI-189
-57	GC875GBI, GRUMMAN	TAI-102
-58	GC875TM24H, GRUMMAN	TAI-189
-59	GC875LNI, GRUMMAN	TAI-189
-60	MI7/177, THERMATICS 380-10045, BOEING	TAI-189
-64	7528A5314, RAYCHEM	TAI-189

DATA CONTAINED IN THIS DOCUMENT IS PROPRIETARY TO TROMPETER ELECTRONICS INC. AND SHALL NOT BE DISCLOSED, COPIED OR USED FOR PROCUREMENT OR MANUFACTURE WITHOUT EXPRESS WRITTEN PERMISSION.

REVISIONS

REV	DESCRIPTIONS	DATE	APPROVED
P	REVISED PER ECO #16485	11/8/07	ajac



CABLE ENTRY			
DASH NUMBER	DIA.	DASH NUMBER	DIA.
-7	.274	-33	.217
-9	.285	-42	.300
-23	.183	-43	.200
-24	.191	-45	.183
-24A	.200	-47	.164
-25	.285	-49	.132
-25A	.285	-55	.25
-26	.183	-56	.191
-27	.145	-57	.191
-29	.191	-58	.196
-30	.235	-59	.196
-32	.191	-60	.217

RECOMMENDED
PANEL CUTOUT
SCALE 0.5/1

TABLE 1

MILITARY PART NUMBER (PIN)	MILITARY CABLE PART NUMBER	TROMPETER P/N (REF. ONLY)
M49142/09-0001	MI7/134-00001	M3-0074-7
M49142/09-0002	MI7/134-00002	M3-0074-7
M49142/09-0006	MI7/176-00002	M3-0074-47
M49142/09-0009	MI7/177-00001	M3-0074-60

6. EXAMPLE OF COMPLETE MODEL NUMBER
BJ379 - 7

BASIC MODEL NUMBER DASH NUMBER

5 WHEN CONNECTOR IS SUPPLIED TO MILITARY PART NUMBER (SEE TABLE 1)

- A) ALL PARTS NORMALLY PLATED TFS-1A OR TFS-1U (NICKEL) ARE TO BE PLATED TFS-1M (SILVER)
- B) MARK PART WITH MILITARY PIN (SEE TABLE 1) AND "14949"
- C) QUALITY CONFORMANCE INSPECTION SHALL BE PER MIL-C-49142 SECTION 4.5

4 IF BEND RELIEF SPRING REQUIRED ADD SUFFIX "BR" TO MODEL NUMBER

- 3. CONCENTRIC TWINAX/TRIAX TRT BULKHEAD MOUNT CABLE RECEPTACLE
- 2. MAX PANEL THICKNESS .160
- 1. FINISH: TFS-1A (NICKEL) 5

RED INDICATES ORIGINAL

NOTES: UNLESS OTHERWISE SPECIFIED.

INTERPRET DRAWING PER MIL-STD-100. DIMENSIONS ARE IN INCHES AND INCLUDE FINISH THICKNESS UNLESS OTHERWISE SPECIFIED.		TOL: UNLESS SPECIFIED. .XX ± .02 .XXX ± .010 ANGLE ± 1°		<p>a cinch connectivity solutions brand</p>		
DRN MWJ	10-23-07	MATERIAL:	TITLE: BJ379/BJ379BR			
CHR <i>Zm</i>	11/7/07	FINISH:	SIZE A	CAGE CODE 14949	DRAWING NO. 3-0074	REV. P
QUALITY			SCALE 1/1	DATE 9-11-81	SHEET IC	
MANUF			APPROVED <i>Zm</i>	PROVE FILE NO. 3-0074	DO NOT SCALE DWG	

X-ON Electronics

Largest Supplier of Electrical and Electronic Components

Click to view similar products for [RF Connectors / Coaxial Connectors](#) category:

Click to view products by [Bel Fuse](#) manufacturer:

Other Similar products are found below :

[8915-1511-000](#) [89674-0827](#) [6001-7071-019](#) [6002-7051-003](#) [6002-7551-202](#) [6059674-1](#) [619550-1](#) [630059-000](#) [M39030/3-01N](#) [6500-7071-046](#) [6769](#) [CX050L2AQ](#) [7002-1541-010](#) [7002-1542-011](#) [7004-1512-000](#) [7009-1511-004](#) [7010-1511-000](#) [7029-1511-060](#) [7101-1541-010](#) [7101-1571-002](#) [7145-1521-002](#) [7203-1571-003](#) [7209-1511-011](#) [7210-1511-015](#) [7210-1511-019](#) [73137-5015](#) [73216-2241](#) [73404-2300](#) [7405-1521-005](#) [7405-1521-802](#) [8527](#) [8547](#) [FS11V](#) [877931](#) [8808-1511-001](#) [9049-9513-000](#) [9074-9513-000](#) [9101-9573-002](#) [910A205F](#) [9130-9573-002](#) [PL11SC-026](#) [PL375-33](#) [PL40-5](#) [PL74C-221](#) [PL75MC-217](#) [PL803-7](#) [1200690078](#) [1-201144-1](#) [R107003010W](#) [R110A172100](#)