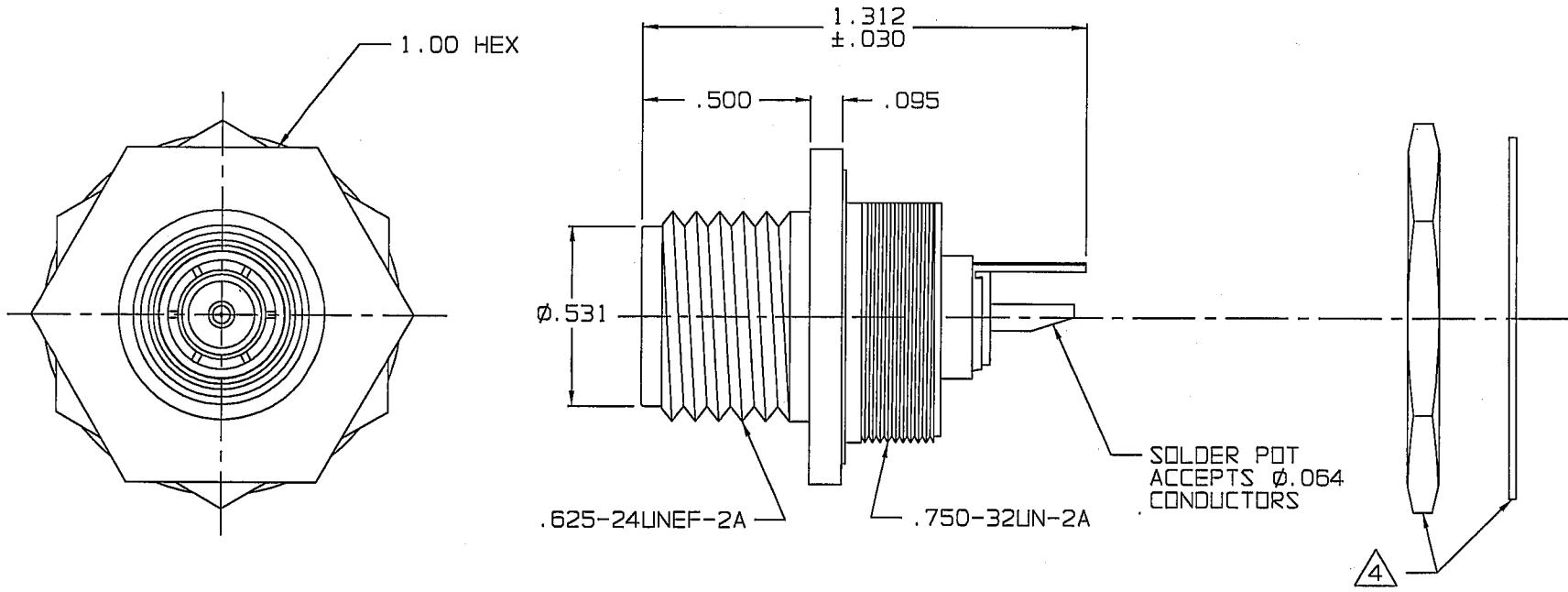


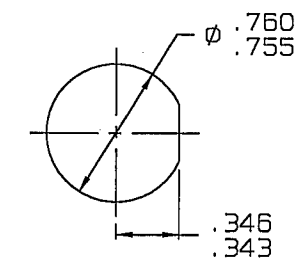
RED INDICATES ORIGINAL

DATA CONTAINED IN THIS DOCUMENT IS PROPRIETARY TO TROMPETER ELECTRONICS INC. AND SHALL NOT BE DISCLOSED, COPIED OR USED FOR PROCUREMENT OR MANUFACTURE WITHOUT EXPRESS WRITTEN PERMISSION OF TROMPETER ELECTRONICS INC.

REVISIONS		3-0056	SH 1
REV	DESCRIPTION	DATE	APPROVED
C	REVISED PER ECO 15788	3-16-05	BS



- 4. MOUNTING HARDWARE SUPPLIED LOOSE
- 3. MAXIMUM PANEL THICKNESS .133
- 2. FINISH; BODY: TFS-1U (NICKEL)
INNER SHIELD: TFS-1B (GOLD)
CONTACT: TFS-1B (GOLD)
- 1. TRN STYLE TWINAX/TRIAX FRONT BULKHEAD MOUNT THREADED SOLDER POT RECEPTACLE



RECOMMENDED
PANEL CUT-OUT
SCALE: 1/1

INTERPRET DRAWING PER MIL-STD-100 DIMENSIONS ARE IN INCHES AND INCLUDE FINISH THICKNESS UNLESS OTHERWISE SPECIFIED		TOL: UNLESS SPECIFIED .XX .XXX ±.005 .XXXX	
DRAWN AAH	DATE 3-8-05	MATERIAL:	TITLE: BJ380
CHECKED T. Shea	DATE 3-8-05	FINISH:	SIZE CAGE CODE DRAWING NO. REV. A 14949 3-0056 C
QUALITY MS	DATE 3/8/05		SCALE DATE: SHEET 2/1 12-22-83 1C
MANUF BP	DATE 3/8/05	DO NOT SCALE DWG	
APPROVED BS	DATE 3/16/05	CAD FILE NO. 3-0056C	



X-ON Electronics

Largest Supplier of Electrical and Electronic Components

Click to view similar products for [RF Connectors / Coaxial Connectors](#) category:

Click to view products by [Bel Fuse](#) manufacturer:

Other Similar products are found below :

[8915-1511-000](#) [89674-0827](#) [6001-7071-019](#) [6002-7051-003](#) [6002-7551-202](#) [6059674-1](#) [619550-1](#) [630059-000](#) [M39030/3-01N](#) [6500-7071-046](#) [6769](#) [CX050L2AQ](#) [7002-1541-010](#) [7002-1542-011](#) [7004-1512-000](#) [7009-1511-004](#) [7010-1511-000](#) [7029-1511-060](#) [7101-1541-010](#) [7101-1571-002](#) [7145-1521-002](#) [7203-1571-003](#) [7209-1511-011](#) [7210-1511-015](#) [7210-1511-019](#) [73137-5015](#) [73216-2241](#) [73404-2300](#) [7405-1521-005](#) [7405-1521-802](#) [8527](#) [8547](#) [FS11V](#) [877931](#) [9049-9513-000](#) [9074-9513-000](#) [9101-9573-002](#) [910A205F](#) [9130-9573-002](#) [PL11SC-026](#) [PL375-33](#) [PL40-5](#) [PL74C-221](#) [PL75MC-217](#) [PL803-7](#) [980-8666-005](#) [1200690078](#) [1-201144-1](#) [R107003010W](#) [R110A172100](#)