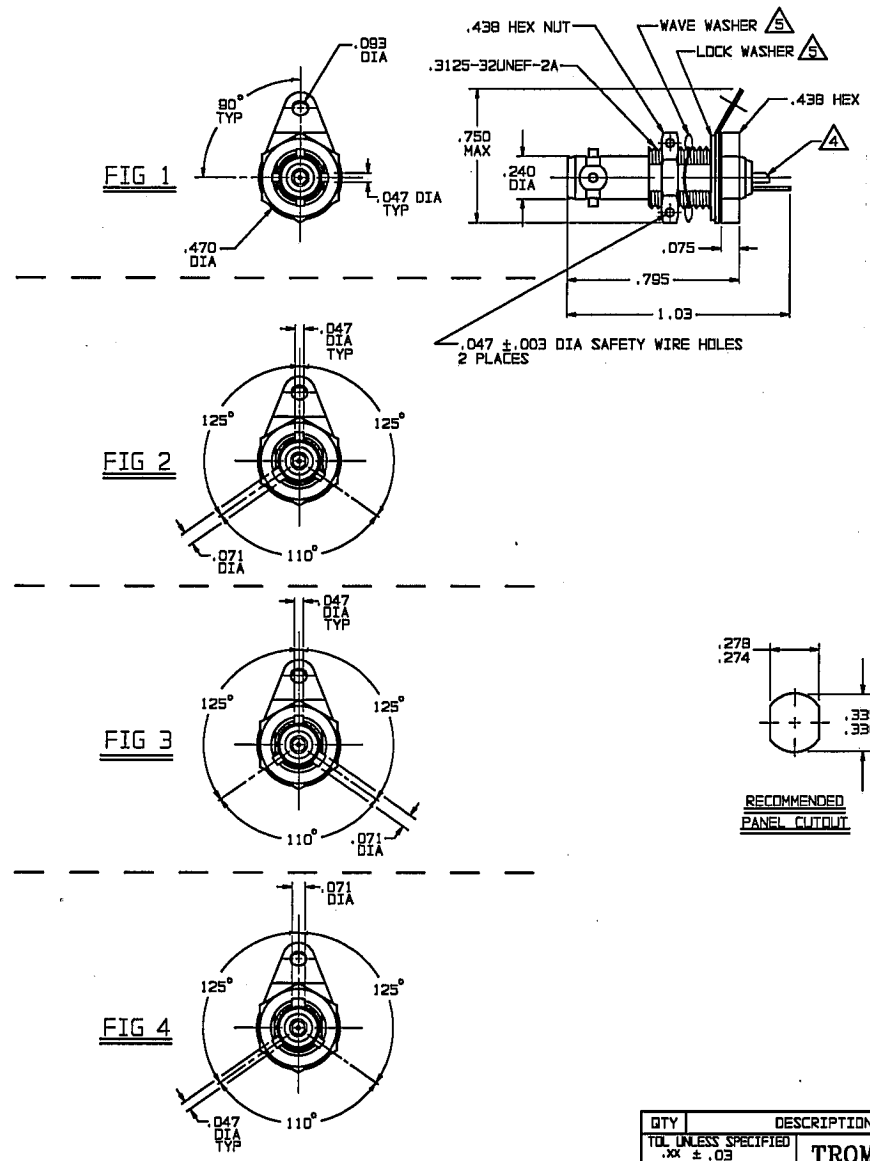


RED INDICATES ORIGINAL

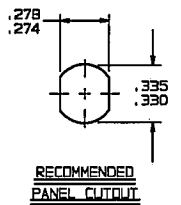
| | | | | | | | |
|----------------------|--|-------|---|-----------|---------------|--------|------|
| DWG SIZE C | DATA CONTAINED IN THIS DOCUMENT IS PROPRIETARY TO TROMPETER ELECTRONICS, INC. AND SHALL NOT BE DISCLOSED, COPIED OR USED FOR REPRODUCTION OR MANUFACTURE WITHOUT EXPRESS WRITTEN PERMISSION. | | | REVISIONS | | 3-0120 | SH 1 |
| | REV | EO | DESCRIPTION | DWN | APPROVED | DATE | |
| | D | 10849 | .750 MAX WAS .717 ADDED SAFETY WIRE HOLES TO SH 1 | DKC | <i>BM, FR</i> | 9/1/94 | |

| DASH NO | MODEL NO | CENTER CONTACT / INTMO CONTACT TYPE |
|---------|----------|-------------------------------------|
| -1 | BJ450FLP | SOCKET/PIN |
| -2 | BJ450FLS | PIN/SOCKET |
| -3 | BJ450PP | SOCKET/PIN |
| -4 | BJ450PS | PIN/SOCKET |
| -5 | BJ450RP | SOCKET/PIN |
| -6 | BJ450RS | PIN/SOCKET |
| -7 | BJ450WP | SOCKET/PIN |
| -8 | BJ450WS | PIN/SOCKET |

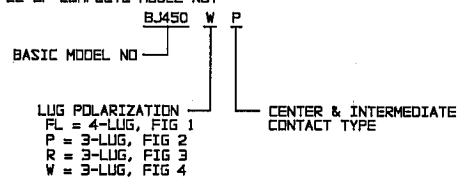
| INCH | MM |
|------|-------|
| .010 | 0.25 |
| .026 | 0.66 |
| .03 | 0.76 |
| .047 | 1.18 |
| .071 | 1.80 |
| .075 | 1.91 |
| .093 | 2.36 |
| .130 | 3.30 |
| .240 | 6.10 |
| .274 | 6.98 |
| .278 | 7.06 |
| .330 | 8.38 |
| .335 | 8.51 |
| .438 | 11.13 |
| .470 | 11.94 |
| .750 | 19.05 |
| .795 | 20.19 |
| 1.03 | 26.16 |



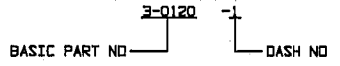
-1 SHOWN



7. EXAMPLE OF COMPLETE MODEL NO:



8. EXAMPLE OF COMPLETE PART NO:



- ⚠ MAX PNL THK .130 WITH EITHER LOCK WASHER OR WAVE WASHER
- ⚠ SOLDER PNT ACCEPTS .026 MAX DIA CONDUCTOR
- 3. CONCENTRIC TWINAX NONINSULATED BULKHEAD MOUNT RECEPTACLE, SOCKET CENTER CONTACT AND PIN INTERMEDIATE CONTACT OR PIN CENTER CONTACT AND SOCKET INTERMEDIATE CONTACT
- 2. FINISH: TFS-1U (500 HRS SALT SPRAY)
- 1. ALL DIM ARE IN INCHES

| QTY | DESCRIPTION | PART NUMBER | ITEM |
|---|-------------------|--|---------------------------------------|
| TIL UNLESS SPECIFIED .XX ± .03 .XXX ± .010 .XXXX ANGLE: | | TROMPETER ELECTRONICS, INC. | BJ450FLP/FLS, PP/ PS, RP/RS, WP/WS |
| DWN | DKC 8-19-84 | MATERIAL | CODE IDENT |
| CHK | <i>BM</i> 8-31-94 | 14949 | 3-0120 |
| ENGR | | | D |
| APPR | <i>FR</i> 9/1/94 | | |

NEXT ASSY SCALE 2/1 DATE 5-21-87 SHEET 1 OF 2

X-ON Electronics

Largest Supplier of Electrical and Electronic Components

Click to view similar products for [RF Connectors / Coaxial Connectors](#) category:

Click to view products by [Bel Fuse](#) manufacturer:

Other Similar products are found below :

[8915-1511-000](#) [89674-0827](#) [6001-7071-019](#) [6002-7051-003](#) [6002-7551-202](#) [6059674-1](#) [619550-1](#) [630059-000](#) [M39030/3-01N](#) [6500-7071-046](#) [6769](#) [CX050L2AQ](#) [7002-1541-010](#) [7002-1542-011](#) [7004-1512-000](#) [7009-1511-004](#) [7010-1511-000](#) [7029-1511-060](#) [7101-1541-010](#) [7101-1571-002](#) [7145-1521-002](#) [7203-1571-003](#) [7209-1511-011](#) [7210-1511-015](#) [7210-1511-019](#) [73137-5015](#) [73216-2241](#) [73404-2300](#) [7405-1521-005](#) [7405-1521-802](#) [8527](#) [8547](#) [FS11V](#) [877931](#) [8808-1511-001](#) [9049-9513-000](#) [9074-9513-000](#) [9101-9573-002](#) [910A205F](#) [9130-9573-002](#) [PL11SC-026](#) [PL375-33](#) [PL40-5](#) [PL74C-221](#) [PL75MC-217](#) [PL803-7](#) [1200690078](#) [1-201144-1](#) [R107003010W](#) [R110A172100](#)