

RED IS ORIGINAL

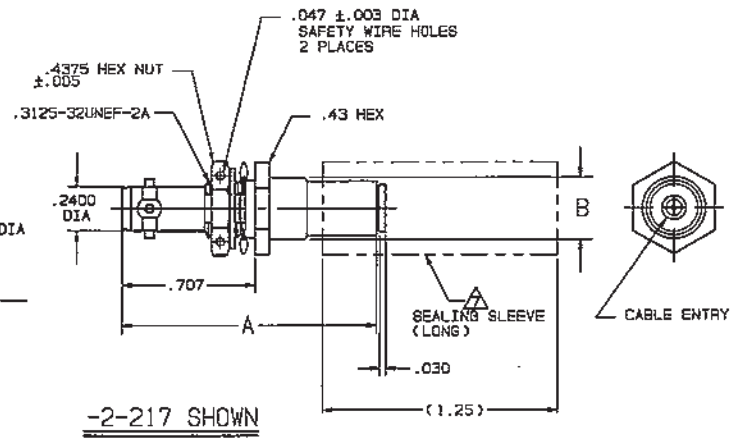
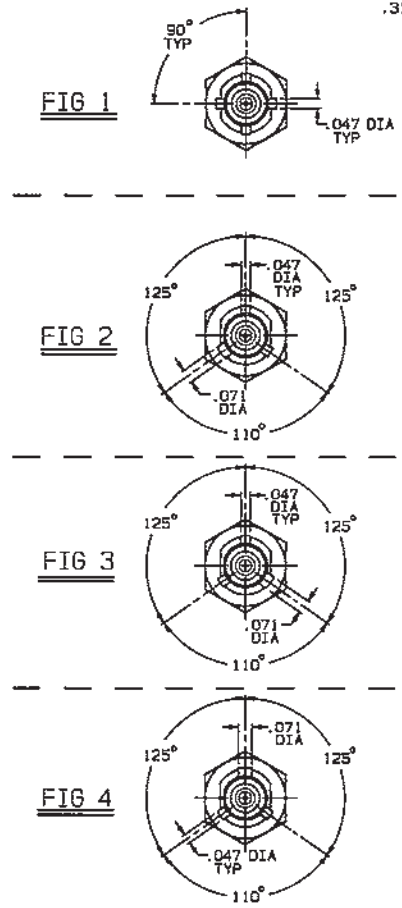
DISK # H 4 DRG SIZE C DATA CONTAINED IN THIS DOCUMENT IS PROPRIETARY TO TROMPETER ELECTRONICS INC. AND SHALL NOT BE DISCLOSED, COPIED OR USED FOR PROCUREMENT OR MANUFACTURE WITHOUT EXPRESS WRITTEN PERMISSION.

REV		EO	DESCRIPTION	OWN	APPROVED	DATE
F	10049		PICTORIALLY CHANGED 1.00 FLARED SEALING SLEEVE TO STRAIGHT (1.25) LONG SEALING SLEEVE; GENERAL UPDATE	DKC	<i>DKC</i>	12/15/92

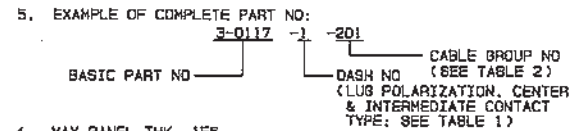
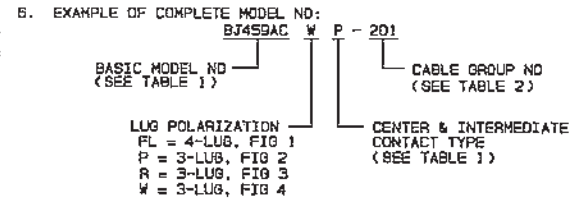
DASH NO	MODEL NO	CENTER CONTACT/INTMD CONTACT TYPE	FIG NO
-1	BJ459ACFLP	SOCKET/PIN	1
-2	BJ459ACFLS	PIN/SOCKET	1
-3	BJ459ACPP	SOCKET/PIN	2
-4	BJ459ACPS	PIN/SOCKET	2
-5	BJ459ACRP	SOCKET/PIN	3
-6	BJ459ACRS	PIN/SOCKET	3
-7	BJ459ACWP	SOCKET/PIN	4
-8	BJ459ACWS	PIN/SOCKET	4

CABLE BRQUP NO	CABLES ACCOMMODATED	A DIM	B DIA	C HEX	ASSEMBLE P&R
-201	M17-176-00002				
-202	TYC-78-1, TROMPETER				
-203	TYC-124-1A, TROMPETER				
-204	10B02 RAYCHEM				
-205	TWAC-78-1F2, TROMPETER				
-206	7826D0130, RAYCHEM				
-208	202-3927, MICRODOT				
-209	202-3942, MICRODOT				
-212	2524E0114, RAYCHEM	1.365	.334	.255	TAI-162
-217	0C875M24H, GRUMMAN				
-218	EPD221888, RAYCHEM				
-219	2526D1114, RAYCHEM				
-220	0C875HR1, GRUMMAN				
-221	10614, RAYCHEM				
-222	10613, RAYCHEM				
-223	HMS2-1149, HUGHES				

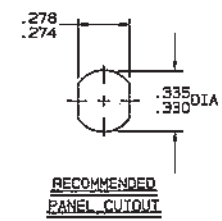
INCH	MM
.003	0.08
.0050	0.13
.010	0.25
.030	0.76
.047	1.19
.071	1.80
.156	3.96
.2400	6.10
.255	6.48
.274	6.96
.278	7.05
.330	8.38
.334	8.48
.335	8.51
.43	10.92
.4375	11.11
.707	17.96
1.25	31.75
1.365	34.67



▲ SEALING SLEEVE & CRIMP BUSHING LOOSE WITH EACH CONNECTOR EXCEPT NOT USED ON -205, -208 & -223



- MAX PANEL THK .156
- CONCENTRIC TWINAX 4 PIECE ASSY. FULL CRIMP NONINSULATED BULKHEAD MOUNT RECEPTACLE. SOCKET CENTER CONTACT AND PIN INTERMEDIATE CONTACT OR PIN CENTER CONTACT AND SOCKET INTERMEDIATE CONTACT
- FINISH: TFS-1U (500 HOURS SALT SPRAY; NICKEL)
- ALL DIM ARE IN INCHES



QTY	DESCRIPTION	PART NUMBER	ITEM
TOL UNLESS SPECIFIED			
.XX ± .03			
.XXX ± .010			
.XXXX ± .0050			
ANGLE: 0°-30°			
OWN DKC	12-2-92	MATERIAL	CODE IDENT
CHK <i>DKC</i>	12/9/92		14949
ENGR		DRAWING NO.	3-0117
REV		DATE	5-20-87
NEXT ASSY	APPR <i>DKC</i>	SCALE	2/1
		DATE	5-20-87
		SHEET	1 OF 2

X-ON Electronics

Largest Supplier of Electrical and Electronic Components

Click to view similar products for [RF Connectors / Coaxial Connectors](#) category:

Click to view products by [Bel Fuse](#) manufacturer:

Other Similar products are found below :

[8915-1511-000](#) [89674-0827](#) [6001-7071-019](#) [6002-7051-003](#) [6059674-1](#) [619550-1](#) [630059-000](#) [M39030/3-01N](#) [6769](#) [CX050L2AQ](#) [7002-1541-010](#) [7002-1542-011](#) [7002-1572-002](#) [7003-1542-011](#) [7004-1512-000](#) [7009-1511-004](#) [7010-1511-000](#) [7029-1511-060](#) [7101-1541-010](#) [7101-1571-002](#) [7145-1521-002](#) [7203-1571-003](#) [7209-1511-011](#) [7210-1511-015](#) [7210-1511-019](#) [73137-5015](#) [73216-2241](#) [73404-2300](#) [7405-1521-005](#) [7405-1521-802](#) [8527](#) [8547](#) [FS11V](#) [9049-9513-000](#) [9074-9513-000](#) [9101-9573-002](#) [910A205F](#) [9130-9573-002](#) [PL11SC-026](#) [PL375-33](#) [PL40-5](#) [PL74C-221](#) [PL75MC-217](#) [PL803-7](#) [980-8666-005](#) [1200690078](#) [1-201144-1](#) [R107003010W](#) [R110A172100](#) [R112186000](#)