

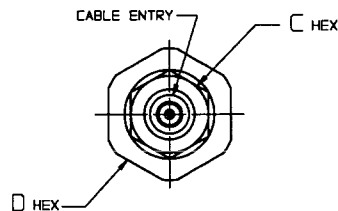
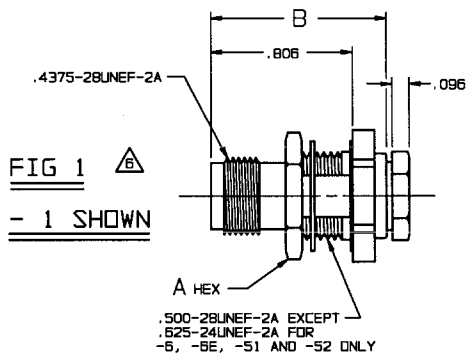
RED INDICATES ORIGINAL

DWG SIZE
C

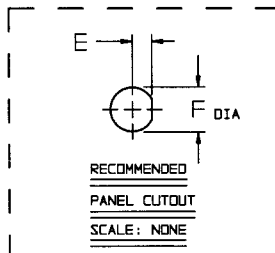
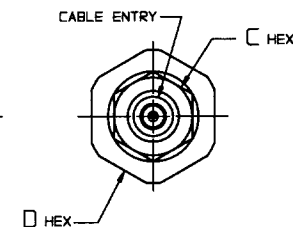
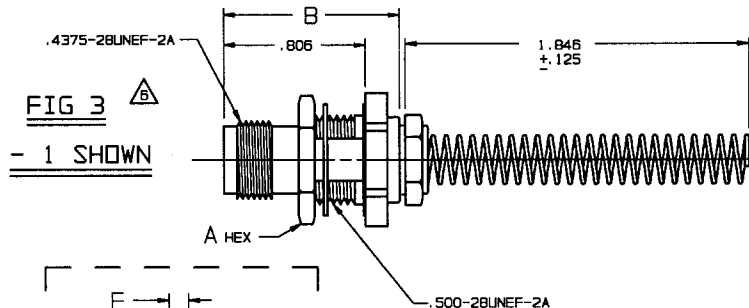
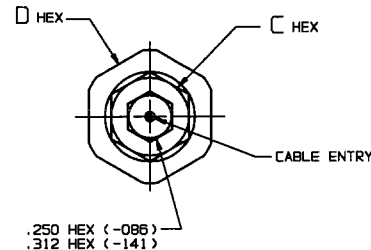
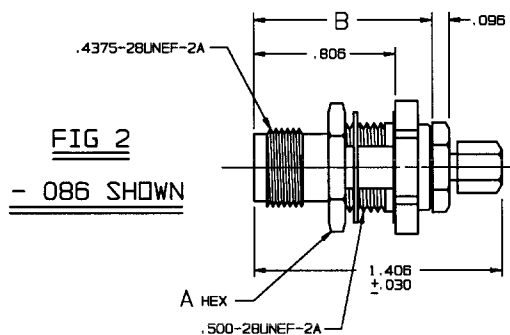
DATA CONTAINED IN THIS DOCUMENT IS PROPRIETARY TO TROMPETER ELECTRONICS, INC. AND SHALL NOT BE DISCLOSED, COPIED OR USED FOR REPRODUCTION OR MANUFACTURE WITHOUT EXPRESS WRITTEN PERMISSION.

REV		ED	DESCRIPTION	OWN	APPROVED	DATE
U	10458		REVISED NOTE 3; DELETED DASH NUMBERS WITH U PREFIX; SH 2 ADDED NOTES 3 AND 4	OKC	<i>[Signature]</i>	12/17/93

DASH NO	FIG	CABLES ACCOMMODATED	A HEX	B DIM	C HEX	D HEX	E DIM	F DIA	ASSEMBLE PER
-1		RG-58 ESSEX 621-715							
-2		RG-59							
-2A		BELDEN 8279							
-2B		W.E.CO. 730A							
-3	1,3	RG-223	.625	1.000	.437	.687	.221 .218	.510 .505	
-3A		RG-55							
-4		RG-122 BELDEN 821B							
-5		RG-174 RG-187							
-5A		RG-196							
-5B		HEWLETT-PACKARD 8120-1107							
-6	1	BELDEN 9231	.750	1.030	.500	.750	.284 .281	.635 .630	TAI-101
-6E		RG-5 RG-6							
-21		RG-303							
-22		RG-180							
-31		GRUMMAN GC875GP1 RG-187 DBL SHLD							
-34	1,3	BELDEN 8228	.625	1.000	.437	.687	.221 .218	.510 .505	
-36		275-3991 MICRODOT 616-569 AMPEX							
-37		810 RAYCHEM							
-41		RG-304 9248 BELDEN							
-44		BRAND-REX B749 GORE C08C032							
-51	1	89281 BELDEN	.750	1.030	.500	.750	.284 .281	.635 .630	
-52		89120 BELDEN							
-53	1,3	89555 BELDEN							
-63		734A, AT&T	.625	1.000	.437	.687	.221 .218	.510 .505	
-086		RG-405							
-141	2	RG-402							TAI-130



INCH	MM
.005	0.13
.030	0.76
.096	2.44
.125	3.18
.218	5.54
.221	5.61
.250	6.35
.281	7.14
.284	7.21
.312	7.92
.437	11.10
.500	12.70
.505	12.83
.510	12.95
.625	15.88
.630	16.00
.635	16.13
.687	17.45
.750	19.05
.806	20.47
1.000	25.40
1.030	26.16
1.406	35.71
1.846	46.89

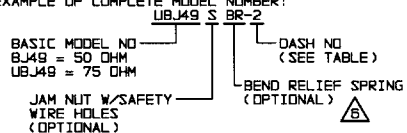


\triangle IF BEND RELIEF SPRING REQUIRED (FIG 3)
ADD SUFFIX "BR" TO MODEL NO (NOT AVAILABLE
WITH CABLE GROUPS -6, -6E, -51, -52, -63, -086, -141)

5. FEMALE TYPE TNC COAXIAL BULKHEAD JACKS, BOTH 50 & 75 OHM VERSIONS

4. MAX PANEL THK .218

3. EXAMPLE OF COMPLETE MODEL NUMBER:



2. FINISH: TFS-1A (NICKEL)

1. ALL DIM ARE IN INCHES

QTY	DESCRIPTION	PART NUMBER	ITEM
TOL UNLESS SPECIFIED .10X ± .30X ± .005 .50X ± .0002 ANGLES:	TROMPETER ELECTRONICS, INC.	BJ49/UBJ49 BJ49BR/UBJ49BR	
OWN OKC 12-9-93	MATERIAL	CODE IDENT	DRAWING NO.
CHK 12-17-93		14949	1-0173
ENGR			
APPR 12/17/93	SCALE 2/1	DATE 4/23/70	SHEET 1 OF 2

X-ON Electronics

Largest Supplier of Electrical and Electronic Components

Click to view similar products for [RF Connectors / Coaxial Connectors](#) category:

Click to view products by [Bel Fuse](#) manufacturer:

Other Similar products are found below :

[8915-1511-000](#) [89674-0827](#) [6001-7071-019](#) [6002-7051-003](#) [6002-7551-202](#) [6059674-1](#) [619550-1](#) [630059-000](#) [M39030/3-01N](#) [6500-7071-046](#) [6769](#) [CX050L2AQ](#) [7002-1541-010](#) [7002-1542-011](#) [7004-1512-000](#) [7009-1511-004](#) [7010-1511-000](#) [7029-1511-060](#) [7101-1541-010](#) [7101-1571-002](#) [7145-1521-002](#) [7203-1571-003](#) [7209-1511-011](#) [7210-1511-015](#) [7210-1511-019](#) [73137-5015](#) [73216-2241](#) [73404-2300](#) [7405-1521-005](#) [7405-1521-802](#) [8527](#) [8547](#) [FS11V](#) [877931](#) [9049-9513-000](#) [9074-9513-000](#) [9101-9573-002](#) [910A205F](#) [9130-9573-002](#) [PL11SC-026](#) [PL375-33](#) [PL40-5](#) [PL74C-221](#) [PL75MC-217](#) [PL803-7](#) [980-8666-005](#) [1200690078](#) [1-201144-1](#) [R107003010W](#) [R110A172100](#)