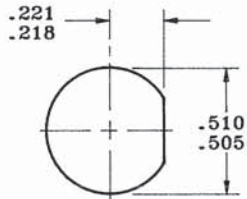


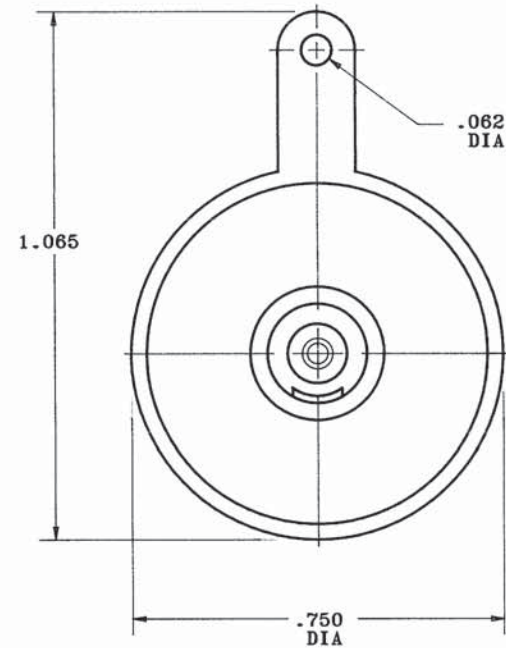
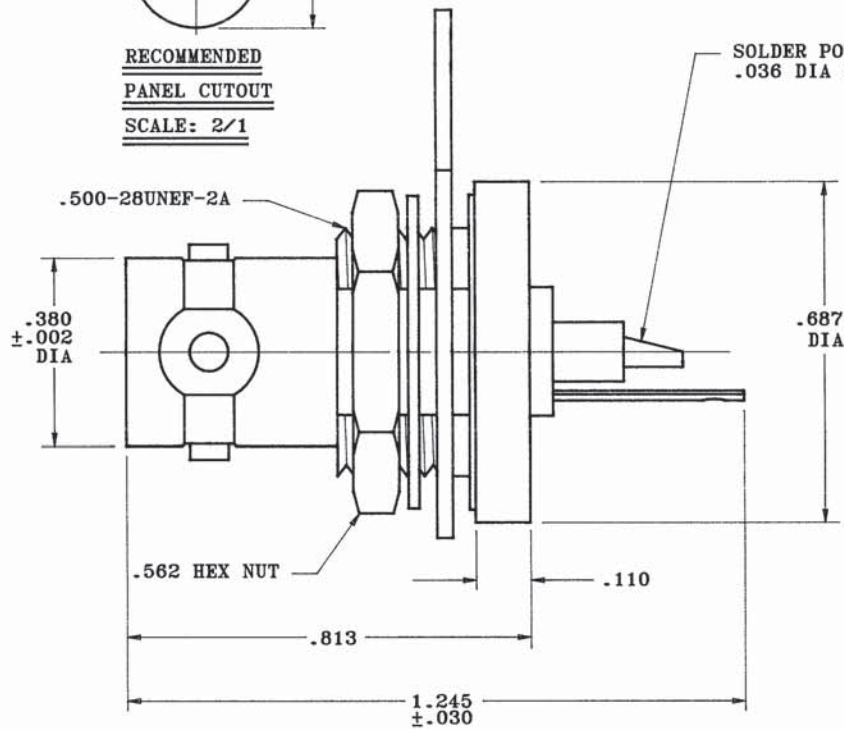
DATA CONTAINED IN THIS DOCUMENT IS PROPRIETARY TO TROMPETER ELECTRONICS INC. AND SHALL NOT BE DISCLOSED, COPIED OR USED FOR PROCUREMENT OR MANUFACTURE WITHOUT EXPRESS WRITTEN PERMISSION.

| REVISIONS | | | 3000-0237 | SH 1 | |
|-----------|------|---------------------------|-----------|----------|----------|
| REV | EO | DESCRIPTION | DWN | APPROVED | DATE |
| C | 7645 | REV BOM & ①, SH 2 & REDWN | RAG | F3, ENR | 9-24-87 |
| D | 7871 | OBSOLETE | RAG | DKC, ENR | 7-25-88 |
| E | 8290 | DWG RE-INSTATED | DKC | DKC, ENR | 12-20-88 |



RECOMMENDED
PANEL CUTOUT
SCALE: 2/1

SOLDER POT ACCEPTS
.036 DIA CONDUCTOR



| INCH | MM |
|-------|-------|
| .002 | 0.05 |
| .005 | 0.13 |
| .030 | 0.76 |
| .036 | 0.91 |
| .062 | 1.57 |
| .094 | 2.39 |
| .110 | 2.79 |
| .218 | 5.54 |
| .221 | 5.61 |
| .380 | 9.65 |
| .505 | 12.83 |
| .510 | 12.95 |
| .562 | 14.27 |
| .687 | 17.45 |
| .750 | 19.05 |
| .813 | 20.65 |
| 1.065 | 27.05 |
| 1.245 | 31.62 |

4. MAX PANEL THK .094
3. 4-LUG CONCENTRIC TWINAX/TRIAX TRB REAR MOUNT SOLDER POT BULKHEAD RECEPTACLE
2. FINISH: NICKEL
1. ALL DIM ARE IN INCHES

| QTY | DESCRIPTION | PART NUMBER | ITEM |
|---|-------------|-----------------------------|-------------|
| TOL UNLESS SPECIFIED .XX ± .XXX ± .005 .XXXX ± ANGLES ± | | TROMPETER ELECTRONICS, INC. | |
| DWN | RAG 8/31/87 | MATERIAL | CODE IDENT |
| CHK | F3 9-14-87 | | 14949 |
| ENGR | ENR 9-15-87 | DRAWING NO. | 3000-0237 |
| APPR | ENR 9-23-87 | REV | E |
| NEXT ASSY | | SCALE 4/1 | DATE 4/3/85 |
| | | SHEET | 1 OF 2 |

X-ON Electronics

Largest Supplier of Electrical and Electronic Components

Click to view similar products for [RF Connectors / Coaxial Connectors](#) category:

Click to view products by [Bel Fuse](#) manufacturer:

Other Similar products are found below :

[8915-1511-000](#) [89674-0827](#) [6001-7071-019](#) [6002-7051-003](#) [6002-7551-202](#) [6059674-1](#) [619550-1](#) [630059-000](#) [M39030/3-01N](#) [6500-7071-046](#) [6769](#) [CX050L2AQ](#) [7002-1541-010](#) [7002-1542-011](#) [7004-1512-000](#) [7009-1511-004](#) [7010-1511-000](#) [7029-1511-060](#) [7101-1541-010](#) [7101-1571-002](#) [7145-1521-002](#) [7203-1571-003](#) [7209-1511-011](#) [7210-1511-015](#) [7210-1511-019](#) [73137-5015](#) [73216-2241](#) [73404-2300](#) [7405-1521-005](#) [7405-1521-802](#) [8527](#) [8547](#) [FS11V](#) [877931](#) [8808-1511-001](#) [9049-9513-000](#) [9074-9513-000](#) [9101-9573-002](#) [910A205F](#) [9130-9573-002](#) [PL11SC-026](#) [PL375-33](#) [PL40-5](#) [PL74C-221](#) [PL75MC-217](#) [PL803-7](#) [1200690078](#) [1-201144-1](#) [R107003010W](#) [R110A172100](#)