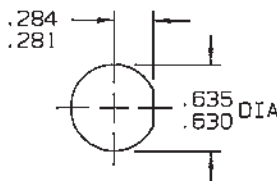
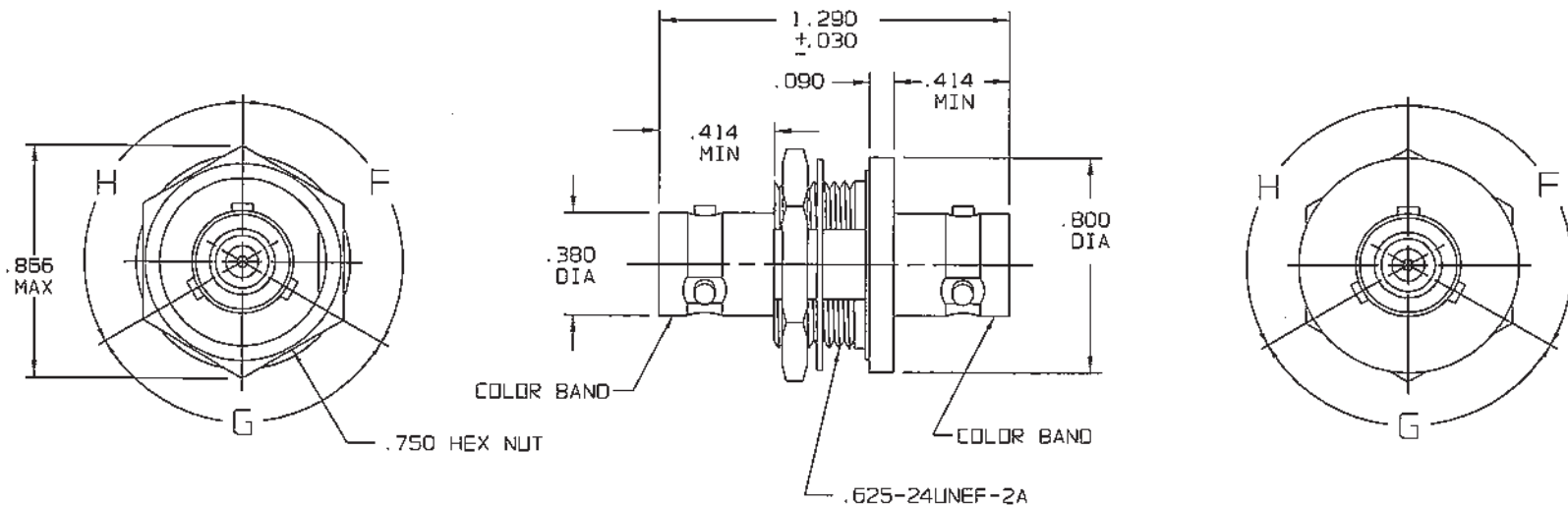


POLARIZATION CHART				
KEYING LETTER	F DEGREES	G DEGREES	H DEGREES	COLOR BAND
T	100°	150°	110°	RED
U	120°	130°	110°	ORANGE
V	115°	130°	115°	YELLOW
W	125°	110°	125°	GREEN
X	130°	100°	130°	BLUE
Y	110°	140°	110°	VIOLET
Z	100°	160°	100°	GRAY
S	135°	135°	90°	WHITE
NONE	120°	120°	120°	NONE

DATA CONTAINED IN THIS DOCUMENT IS PROPRIETARY TO TROMPETER ELECTRONICS INC. AND SHALL NOT BE DISCLOSED, COPIED OR USED FOR PROCUREMENT OR MANUFACTURE WITHOUT EXPRESS WRITTEN PERMISSION OF TROMPETER ELECTRONICS INC.

REVISIONS		3-0057	SH 1
REV	DESCRIPTION	DATE	APPROVED
G	REVISED PER ECD 14834	12-5-02	AAH

RED INDICATES ORIGINAL



5. EXAMPLE OF COMPLETE MODEL NO:
 BJ73 T
 BASIC MODEL NO ———
 POLARIZATION LETTER —


4. CONCENTRIC TWINAX/TRIAX 3-LUG BAYONET FEED THRU INSULATED BULKHEAD RECEPTACLE

3. MAX PNL THK .187

2. FINISH: TFS-1A (NICKEL)

1. ALL DIM ARE IN INCHES

RECOMMENDED
PANEL CUTOUT
 SCALE: NONE

INTERPRET DRAWING PER MIL-STD-100 DIMENSIONS ARE IN INCHES AND INCLUDE FINISH THICKNESS UNLESS OTHERWISE SPECIFIED		TOL: UNLESS SPECIFIED .XX ± .005 .XXX ± .005 .XXXX ANGLES		 a cinch connectivity solutions brand	
DRAWN: AAH CHECKED: DD QUANTITY: MN MADE: AAH APPROVED: AAH CAD FILE NO: 3-0057G	DATE: 12-2-02 12/4/02 5 DEC 02 12/1/02	MATERIAL:	FINISH:		
NEXT ASSY	DD NOT SCALE DRG	SIZE: A SCALE: NONE	CAGE CODE: 14949	DRAWING NO.: 3-0057	REV.: G
		DATE: 2-5-81	SHEET 1C		

X-ON Electronics

Largest Supplier of Electrical and Electronic Components

Click to view similar products for [RF Adapters - Between Series category:](#)

Click to view products by [Bel Fuse manufacturer:](#)

Other Similar products are found below :

[5945-9503-000](#) [MCX/F-SMA/M](#) [R192417010](#) [ADBJ20-E1-BJ379](#) [ADM2](#) [ADPL75-A1-PL75](#) [242191](#) [9317505](#) [29-3835P](#) [AD130](#) [ADBJ20-E1-PL74](#) [ADBJ20-E2-BJ79](#) [ADBJ77-A1-PL375](#) [ADBJ77-E1-UPL20](#) [ADRMF370](#) [242215](#) [242228](#) [R125680000W](#) [R192430000](#) [UAD95](#) [1057367-1](#) [8311505](#) [R114704000](#) [R451034500](#) [R451030500](#) [R451543000](#) [HDVDPN](#) [ADBJ20-K1-PL20](#) [R451570000](#) [R451034000](#) [J9](#) [J3WE-5](#) [R451032500](#) [242201RP](#) [17K132-K00S5](#) [AD-RSMAF-RTNC](#) [53K156-K00N5](#) [02K119-K00E3](#) [29S132-K01N5](#) [53S156-K00N5](#) [02S119-S00E3](#) [28K132-K00N5](#) [02S109-K00S3](#) [27-8200TP](#) [242235](#) [ADBJ20-E1-BJ89](#) [000-2900](#) [321-102-003 \(SMA-50/2-H155/W1.03 AU\)](#) [1057377-1](#) [321-350-001 \(SMA-50-R/2-RG316/N2.01\)](#)