

REVISIONS			
REV	DESCRIPTIONS	DATE	APPROVED
L	ECO 52611	9/28/10	T. KOHLER

DASH NO	CABLES ACCOMMODATED	ASSEMBLE PER	A DIA
-7	TRC-50-2/TRC-75-2	TAI-189	.274
-9	TWC-78-2/TWC-124-2	TAI-102	.285
-23	250-3884, MICROOOT	TAI-189	.183
-24	202-3934, MICROOOT	TAI-102	.191
-24A	9530A5117, RAYCHEM	TAI-189	.200
-25	GEE1A, GERMANY	TAI-102	.285
-25A	5021H5331, RAYCHEM	TAI-189	.285
-26	702BA5518, RAYCHEM		.183
-27	202-3927, MICROOOT	TAI-102	.145
-29	TWC-78-1/TWC-124-1A		.191
-30	761A,W.E.CO/8441,BELDEN	TAI-189	.235
-32	TRC-50-1		.191
-33	TRC-75-1	TAI-189	.217
-42	21-204, ESSEX 4463, CONSOLIDATED		.300
-43	250-4044/250-4045 293-3930, MICROOOT	TAI-102	.200
-45	M27500-22TE2T14 1100-66F, STANDARD		.183
-47	MI7/176-00002	TAI-189	.164
-49	TWAC-78-1F2		.132
-55	89272, BELDEN	TAI-102	.250
-56	GC875GC1, GRUMMAN		.191
-57	GC875GB1, GRUMMAN	TAI-189	.198
-58	GC875TM24H, GRUMMAN		.198
-59	GC875LN1, GRUMMAN	TAI-189	.217
-60	MI7/177, THERMATICS 380-10045, BOEING		.217
-64	7528A5314, RAYCHEM	TAI-189	.183

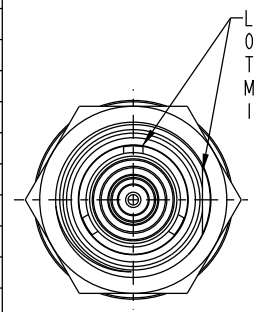


FIG 1 -9 SHOWN

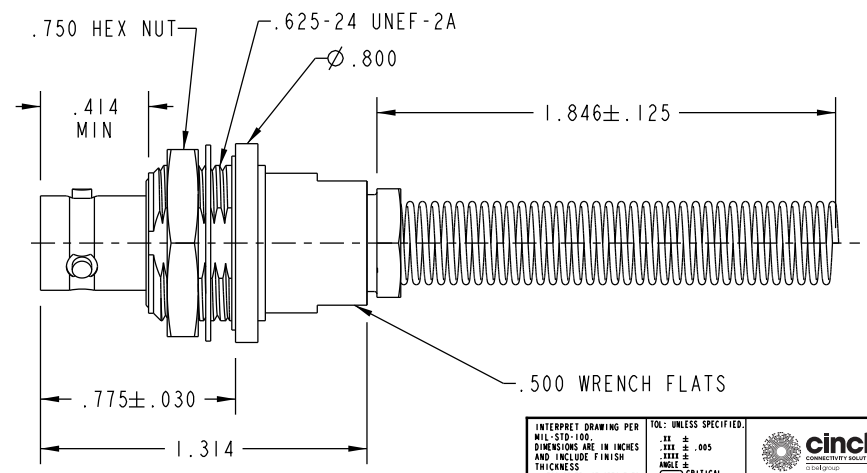
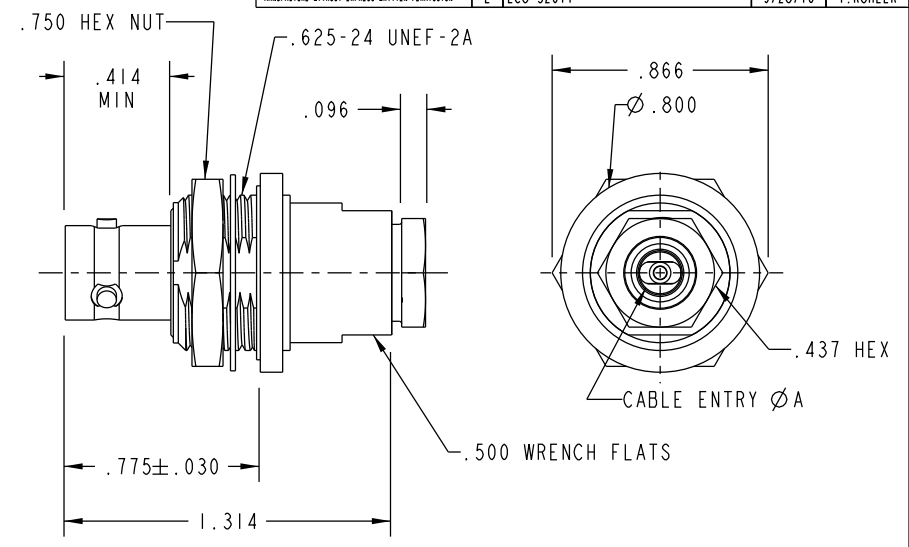
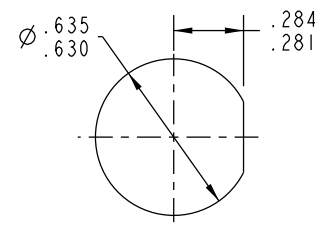


FIG 2 -9 SHOWN

IF BEND RELIEF SPRING REQUIRED (FIG 2)



RECOMMENDED PANEL CUTOUT

4. CONCENTRIC TWINAX/TRIAX TRB BULKHEAD MOUNT CABLE RECEPTACLE
3. MAX PANEL THK .140
2. FINISH: TFS-1A (NICKEL)
1. ALL DIM ARE IN INCHES

NOTES: UNLESS OTHERWISE SPECIFIED.

INTERPRET DRAWING PER MIL-STD-100. DIMENSIONS ARE IN INCHES AND INCLUDE FINISH THICKNESS UNLESS OTHERWISE SPECIFIED.		TOL: UNLESS SPECIFIED. .XX ± .005 .XXX ± .002 .XXXX ± .001 CRITICAL		cinch connectivity solutions 299 Johnson Ave. Ste. 100 Waseca, MN 56093 1-800-247-8256	
DRN: J. CRAWFORD	10/19/10	MATERIAL:	TITLE: BJ74/BJ74BR		
CHK: C. WALLACE	10/19/10	FINISH:	REV. L		
QUALITY:		SCALE:	SIZE: B	CAGE CODE: 14949	DRAWING NO. 3-0055
APPROVED:		DO NOT SCALE DWG	SCALE: 2/1	DATE:	SHEET 1 OF 2
SURFACE AREA:	PROJ FILE NO. 3-0055				

X-ON Electronics

Largest Supplier of Electrical and Electronic Components

Click to view similar products for [RF Connectors / Coaxial Connectors](#) category:

Click to view products by [Bel Fuse](#) manufacturer:

Other Similar products are found below :

[8915-1511-000](#) [89674-0827](#) [6001-7071-019](#) [6002-7051-003](#) [6002-7551-202](#) [6059674-1](#) [619550-1](#) [630059-000](#) [M39030/3-01N](#) [6500-7071-046](#) [6769](#) [CX050L2AQ](#) [7002-1541-010](#) [7002-1542-011](#) [7004-1512-000](#) [7009-1511-004](#) [7010-1511-000](#) [7029-1511-060](#) [7101-1541-010](#) [7101-1571-002](#) [7145-1521-002](#) [7203-1571-003](#) [7209-1511-011](#) [7210-1511-015](#) [7210-1511-019](#) [73137-5015](#) [73216-2241](#) [73404-2300](#) [7405-1521-005](#) [7405-1521-802](#) [8527](#) [8547](#) [FS11V](#) [877931](#) [8808-1511-001](#) [9049-9513-000](#) [9074-9513-000](#) [9101-9573-002](#) [910A205F](#) [9130-9573-002](#) [PL11SC-026](#) [PL375-33](#) [PL40-5](#) [PL74C-221](#) [PL75MC-217](#) [PL803-7](#) [1200690078](#) [1-201144-1](#) [R107003010W](#) [R110A172100](#)