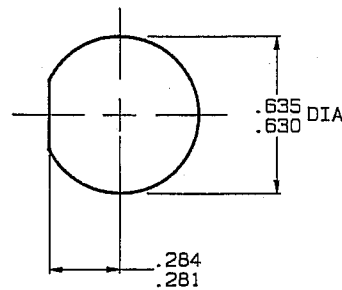


RED INDICATES ORIGINAL

DASH NO	CABLES ACCOMMODATED	ASSEMBLE PER	A DIA
-7	TRC-50-2/TRC-75-2	TAI-189	.274
-9	TWC-78-2/TWC-124-2	TAI-102	.285
-23	250-3884, MICRODOT	TAI-189	.183
-24	202-3934, MICRODOT	TAI-102	.191
-24A	9530A5117, RAYCHEM	TAI-189	.200
-25	GEEIA, GERMANY	TAI-102	.285
-25A	5021H5331, RAYCHEM	TAI-189	.285
-26	7028A5518, RAYCHEM		.183
-27	202-3927, MICRODOT		.145
-29	TWC-78-1/TWC-124-1A	TAI-102	.191
-30	76IA, W.E. CO/8441, BELDEN		.235
-32	TRC-50-1		.191
-33	TRC-75-1		.217
-42	21-204, ESSEX 4463, CONSOLIDATED	TAI-189	.300
-43	250-4044/250-4045 293-3930, MICRODOT		.200
-45	M27500-22TE2T14 1100-66F, STANDARD		.183
-47	M17/176-00002	TAI-102	.164
-49	TWAC-78-1F2		.132
-55	89272, BELDEN		.250
-56	6C8756C1, GRUMMAN	TAI-189	.191
-57	6C8756B1, GRUMMAN		
-58	6C875TM24H, GRUMMAN	TAI-102	.198
-59	6C875LNI, GRUMMAN		
-60	M17/177, THERMATICS 380-10045, BOEING	TAI-189	.217
-64	7528A5314, RAYCHEM		.183

INCH	MM	INCH	MM
.005	0.13	.281	7.14
.030	0.76	.284	7.21
.096	2.44	.285	7.24
.125	3.18	.300	7.62
.132	3.35	.414	10.52
.140	3.56	.437	11.10
.145	3.68	.500	12.70
.164	4.17	.530	16.00
.183	4.65	.635	16.13
.191	4.85	.750	19.05
.198	5.03	.775	19.69
.200	5.08	.800	20.32
.217	5.51	.866	22.00
.235	5.97	1.314	33.38
.274	6.96	1.846	46.89

- △ IF BEND RELIEF SPRING REQUIRED (FIG 2)  
ADD SUFFIX "BR" TO MODEL NO
- 4 LUG CONCENTRIC TWINAX/TRIAx TRB INSULATED BULKHEAD MOUNT CABLE RECEPTACLE
  - MAX PANEL THK .140
  - FINISH: TFS-1A (NICKEL)
  - ALL DIM ARE IN INCHES



RECOMMENDED  
PANEL CUTOUT

DISK #	DWG SIZE	REVISIONS			SH 1
		REV	EO	DESCRIPTION	
H11	C			DATA CONTAINED IN THIS DOCUMENT IS PROPRIETARY TO TROMPETER ELECTRONICS INC. AND SHALL NOT BE DISCLOSED, COPIED OR USED FOR PROCUREMENT OR MANUFACTURE WITHOUT EXPRESS WRITTEN PERMISSION.	
G	9320			-7, -23, -24A, -25A, -26, -32, -33, -42, -43, -56, -57, -59, -60, -64. ASSY INSTRUCTIONS WAS TAI-104	5/29/91

FIG 1 △  
-9 SHOWN

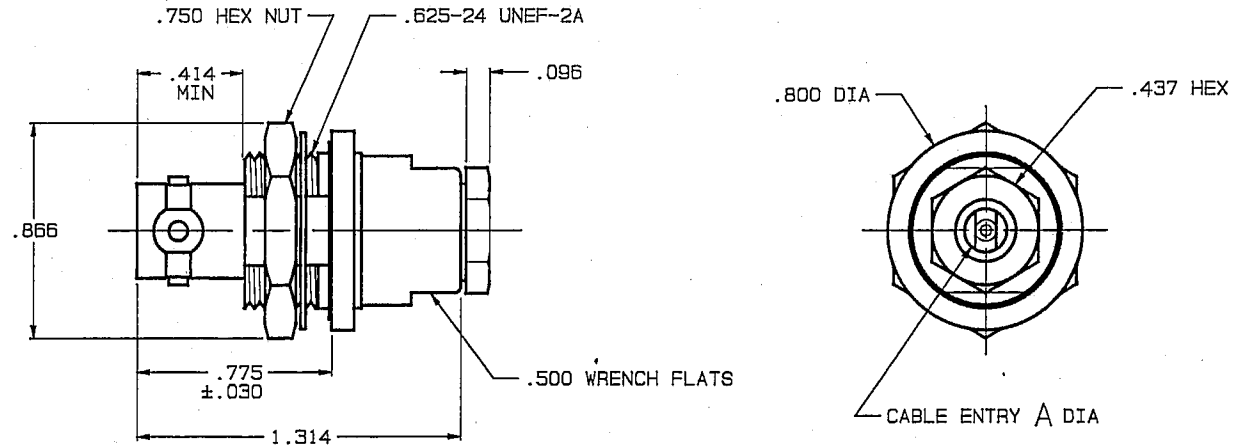
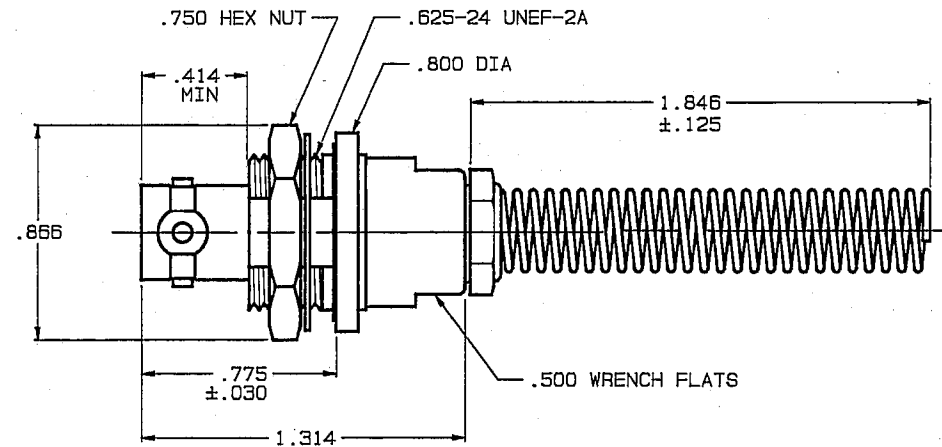


FIG 2 △  
-9 SHOWN



QTY	DESCRIPTION	PART NUMBER	ITEM
TOL UNLESS SPECIFIED .XX ± .XXX ±.005 .XXXX ± ANGLES ±	<b>TROMPETER ELECTRONICS, INC.</b>	BJ74FL	
DWN DKC 5-14-91	MATERIAL	CODE IDENT	DRAWING NO.
CHK B.M. 5-27-91		14949	3-0099
305-0515	ENGR		REV G
NEXT ASSY	APPR	SCALE 2/1	DATE 4-25-83 SHEET 1 OF 2

## X-ON Electronics

Largest Supplier of Electrical and Electronic Components

*Click to view similar products for [RF Connectors / Coaxial Connectors](#) category:*

*Click to view products by [Bel Fuse](#) manufacturer:*

Other Similar products are found below :

[8915-1511-000](#) [89674-0827](#) [6001-7071-019](#) [6002-7051-003](#) [6002-7551-202](#) [6059674-1](#) [619550-1](#) [630059-000](#) [M39030/3-01N](#) [6500-7071-046](#) [6769](#) [CX050L2AQ](#) [7002-1541-010](#) [7002-1542-011](#) [7004-1512-000](#) [7009-1511-004](#) [7010-1511-000](#) [7029-1511-060](#) [7101-1541-010](#) [7101-1571-002](#) [7145-1521-002](#) [7203-1571-003](#) [7209-1511-011](#) [7210-1511-015](#) [7210-1511-019](#) [73137-5015](#) [73216-2241](#) [73404-2300](#) [7405-1521-005](#) [7405-1521-802](#) [8527](#) [8547](#) [FS11V](#) [877931](#) [9049-9513-000](#) [9074-9513-000](#) [9101-9573-002](#) [910A205F](#) [9130-9573-002](#) [PL11SC-026](#) [PL375-33](#) [PL40-5](#) [PL74C-221](#) [PL75MC-217](#) [PL803-7](#) [980-8666-005](#) [1200690078](#) [1-201144-1](#) [R107003010W](#) [R110A172100](#)