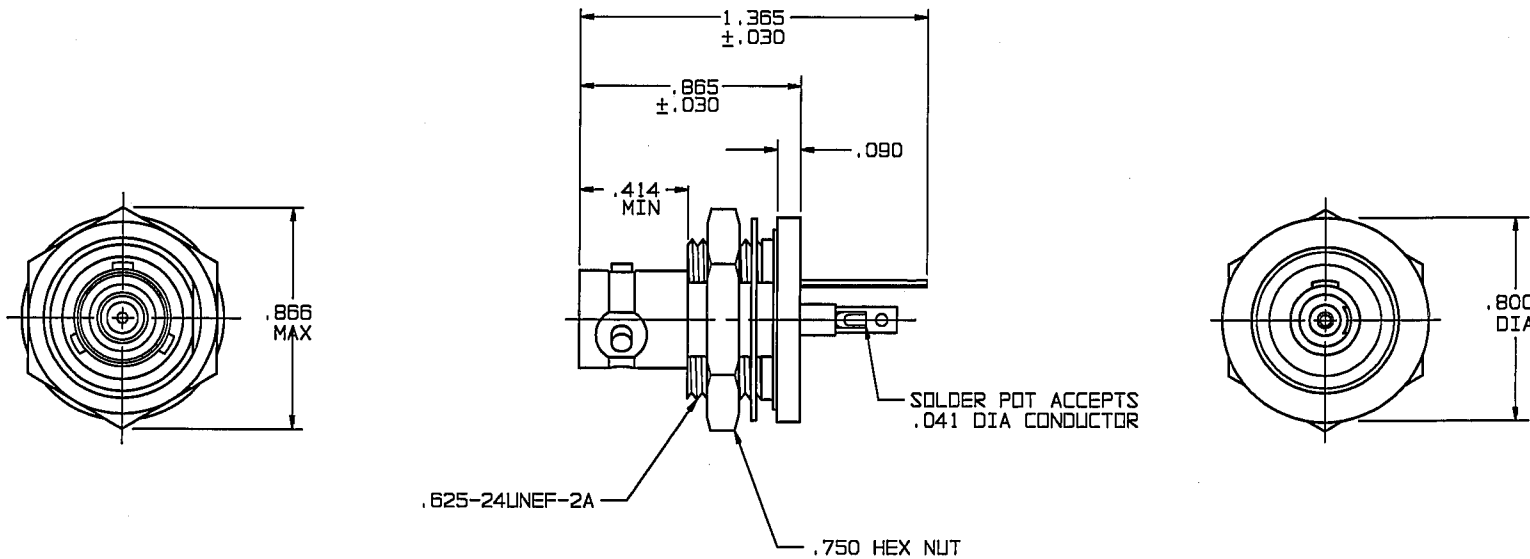


RED INDICATES ORIGINAL

DATA CONTAINED IN THIS DOCUMENT IS PROPRIETARY TO TROMPETER ELECTRONICS INC. AND SHALL NOT BE DISCLOSED, COPIED OR USED FOR PROCUREMENT OR MANUFACTURE WITHOUT EXPRESS WRITTEN PERMISSION.

REVISIONS			3-0083		SH 1
REV	EO	DESCRIPTION	DWN	APPROVED	DATE
J	11958	ADDED SHT 2, DIM .610 ±.010 WAS .675 ±.005; SEE ECO	DBN	<i>Bm; FA</i>	3/31/97

INCH	MM
.005	0.13
.030	0.76
.041	1.04
.090	2.29
.140	3.56
.281	7.14
.284	7.21
.414	10.52
.630	16.00
.635	16.13
.750	19.05
.800	20.32
.865	21.97
.866	22.00
1.365	34.67



4. MAX PANEL THK .140
3. CONCENTRIC TWINAX/TRIAX TRB REAR MOUNTING INSULATED BULKHEAD SOLDER POT RECEPTACLE
2. FINISH: TFS-1A (NICKEL)
1. ALL DIM ARE IN INCHES

RECOMMENDED
PANEL CUTOUT
SCALE: 1/1

QTY	DESCRIPTION	PART NUMBER	ITEM
TOL UNLESS SPECIFIED .XX ± .XXX ±.005 .XXXX ± ANGLES ±	TROMPETER ELECTRONICS, INC.	BJ75	
DWN DBN 3/21/97	MATERIAL	CODE IDENT	DRAWING NO.
CHK <i>Bm</i> 3/28/97		14949	3-0083
ENGR	SCALE 2/1	DATE 10/14/82	REV J
APPR <i>FA</i> 3/28/97	NEXT ASSY	SHEET 1 OF 2	

X-ON Electronics

Largest Supplier of Electrical and Electronic Components

Click to view similar products for [RF Connectors / Coaxial Connectors](#) category:

Click to view products by [Bel Fuse](#) manufacturer:

Other Similar products are found below :

[8915-1511-000](#) [89674-0827](#) [6001-7071-019](#) [6002-7051-003](#) [6002-7551-202](#) [6059674-1](#) [619550-1](#) [630059-000](#) [M39030/3-01N](#) [6500-7071-046](#) [6769](#) [CX050L2AQ](#) [7002-1541-010](#) [7002-1542-011](#) [7004-1512-000](#) [7009-1511-004](#) [7010-1511-000](#) [7029-1511-060](#) [7101-1541-010](#) [7101-1571-002](#) [7145-1521-002](#) [7203-1571-003](#) [7209-1511-011](#) [7210-1511-015](#) [7210-1511-019](#) [73137-5015](#) [73216-2241](#) [73404-2300](#) [7405-1521-005](#) [7405-1521-802](#) [8527](#) [8547](#) [FS11V](#) [877931](#) [9049-9513-000](#) [9074-9513-000](#) [9101-9573-002](#) [910A205F](#) [9130-9573-002](#) [PL11SC-026](#) [PL375-33](#) [PL40-5](#) [PL74C-221](#) [PL75MC-217](#) [PL803-7](#) [980-8666-005](#) [1200690078](#) [1-201144-1](#) [R107003010W](#) [R110A172100](#)