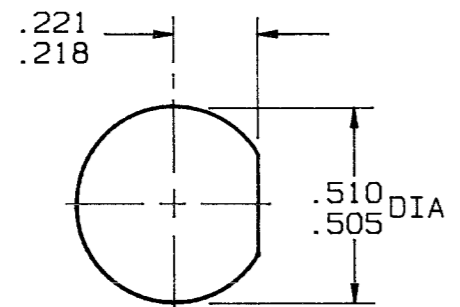
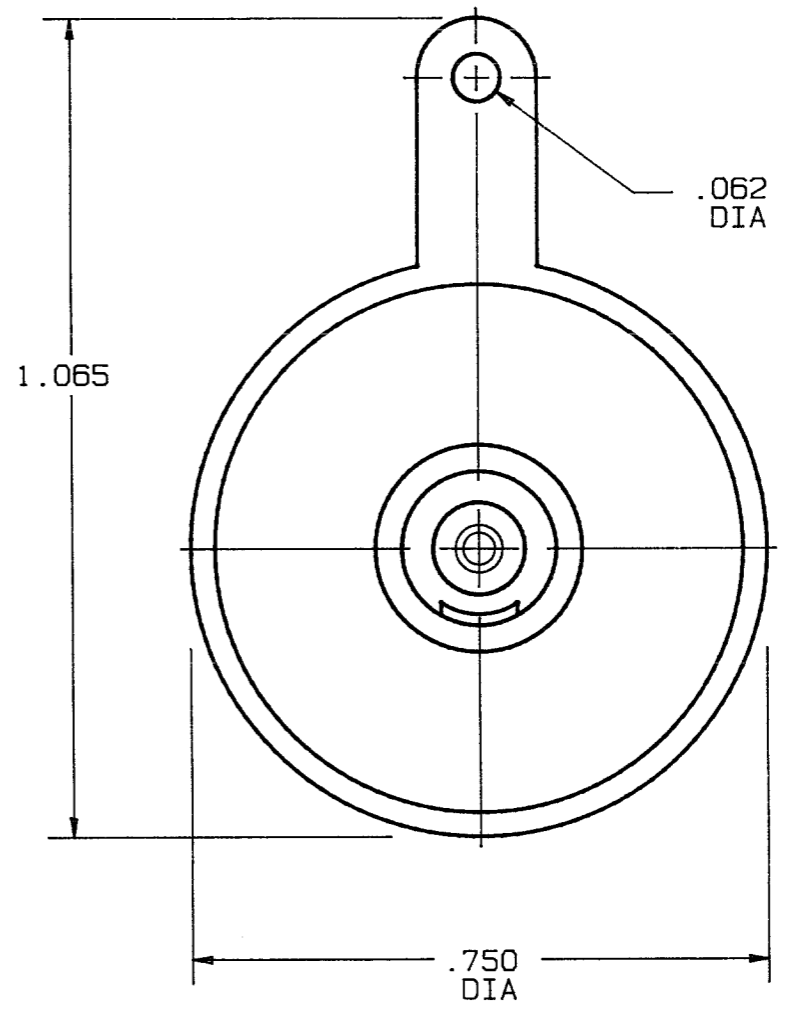
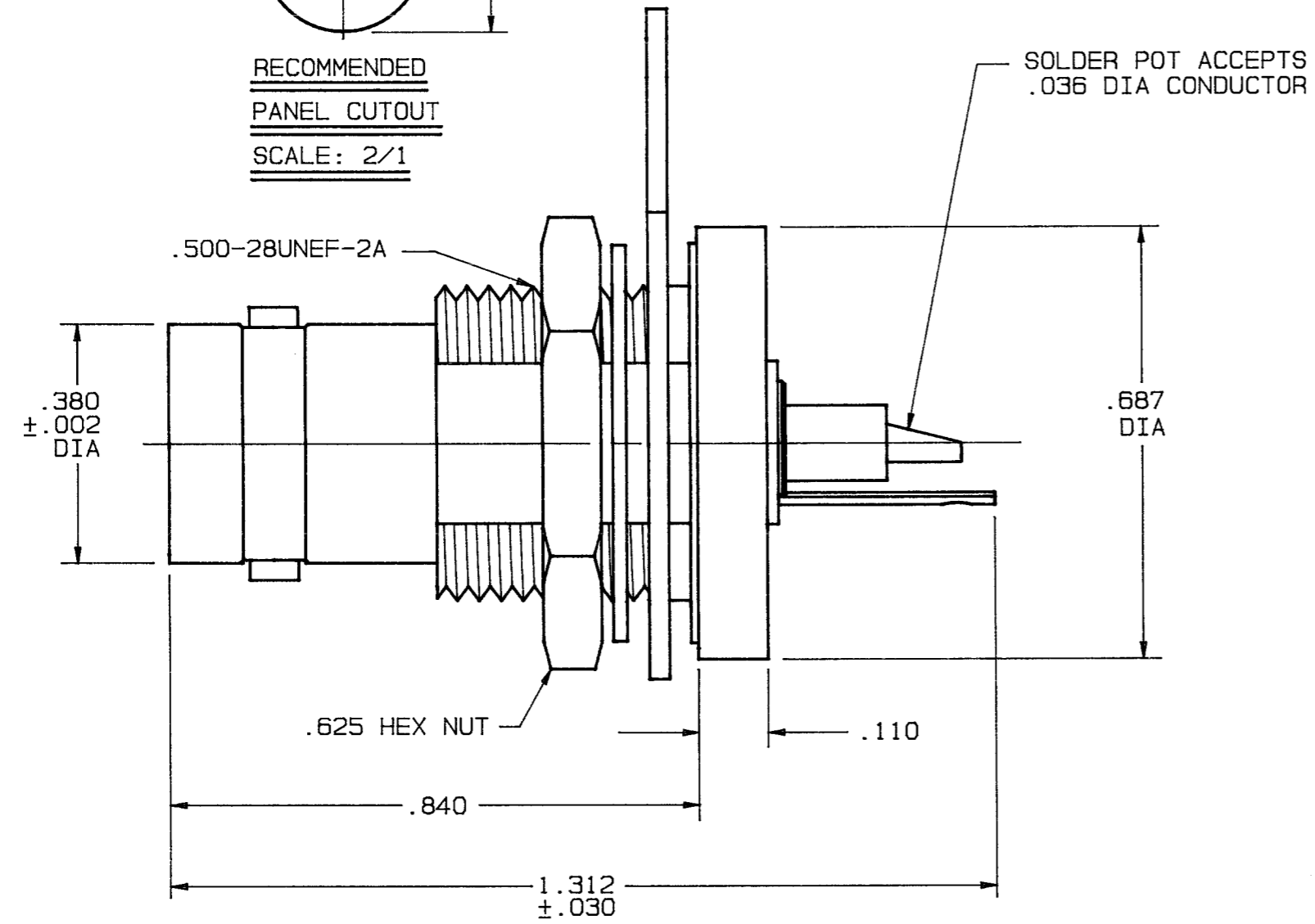


DATA CONTAINED IN THIS DOCUMENT IS PROPRIETARY TO TROMPETER ELECTRONICS INC. AND SHALL NOT BE DISCLOSED, COPIED OR USED FOR PROCUREMENT OR MANUFACTURE WITHOUT EXPRESS WRITTEN PERMISSION.

REVISIONS			3-0129		SH 1
REV	EO	DESCRIPTION	DWN	APPROVED	DATE
B	8270	SH 1 .625/.240/.208 WERE .562/.250/.218; SH 2, L/M ITEM 6 WAS 8-1520-17 AND REDRAWN	DJK	<i>DJK</i>	12-20-88



RECOMMENDED  
PANEL CUTOUT  
SCALE: 2/1



INCH	MM
.002	0.05
.005	0.13
.030	0.76
.036	0.91
.062	1.57
.110	2.79
.208	5.28
.218	5.54
.221	5.61
.240	6.10
.380	9.65
.505	12.83
.510	12.95
.625	15.88
.687	17.45
.750	19.05
.840	21.34
1.065	27.05
1.312	33.32

4. MAX PANEL THK .240 W/O SOLDER LUG  
.208 THK W/ SOLDER LUG
3. CONCENTRIC TWINAX/TRIAX TRB  
REAR MOUNT SOLDER POT  
BULKHEAD RECEPTACLE
2. FINISH: TFS-1A (NICKEL)
1. ALL DIM ARE IN INCHES

QTY	DESCRIPTION			PART NUMBER	ITEM
TOL UNLESS SPECIFIED		<b>TROMPETER ELECTRONICS, INC.</b>		BJ76TL	
.XX ±					
.XXX ±					
.XXXX ±					
ANGLES ±					
DWN	DJK	11/23/88	MATERIAL	CODE IDENT	DRAWING NO.
CHK	<i>DJK</i>	12/5/88	—	14949	3-0129
ENGR	<i>DJK</i>	12/6/88			
APPR	<i>DJK</i>	12/19/88	SCALE 4/1	DATE 12/15/87	SHEET 1 OF 2

## X-ON Electronics

Largest Supplier of Electrical and Electronic Components

*Click to view similar products for [RF Connectors / Coaxial Connectors](#) category:*

*Click to view products by [Bel Fuse](#) manufacturer:*

Other Similar products are found below :

[8915-1511-000](#) [89674-0827](#) [6001-7071-019](#) [6002-7051-003](#) [6002-7551-202](#) [6059674-1](#) [619550-1](#) [630059-000](#) [M39030/3-01N](#) [6500-7071-046](#) [6769](#) [CX050L2AQ](#) [7002-1541-010](#) [7002-1542-011](#) [7004-1512-000](#) [7009-1511-004](#) [7010-1511-000](#) [7029-1511-060](#) [7101-1541-010](#) [7101-1571-002](#) [7145-1521-002](#) [7203-1571-003](#) [7209-1511-011](#) [7210-1511-015](#) [7210-1511-019](#) [73137-5015](#) [73216-2241](#) [73404-2300](#) [7405-1521-005](#) [7405-1521-802](#) [8527](#) [8547](#) [FS11V](#) [877931](#) [8808-1511-001](#) [9049-9513-000](#) [9074-9513-000](#) [9101-9573-002](#) [910A205F](#) [9130-9573-002](#) [PL11SC-026](#) [PL375-33](#) [PL40-5](#) [PL74C-221](#) [PL75MC-217](#) [PL803-7](#) [980-8666-005](#) [1200690078](#) [1-201144-1](#) [R107003010W](#)