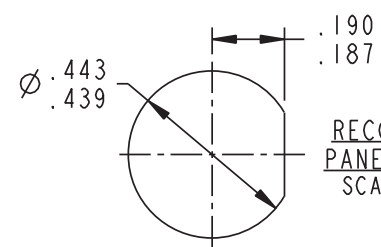
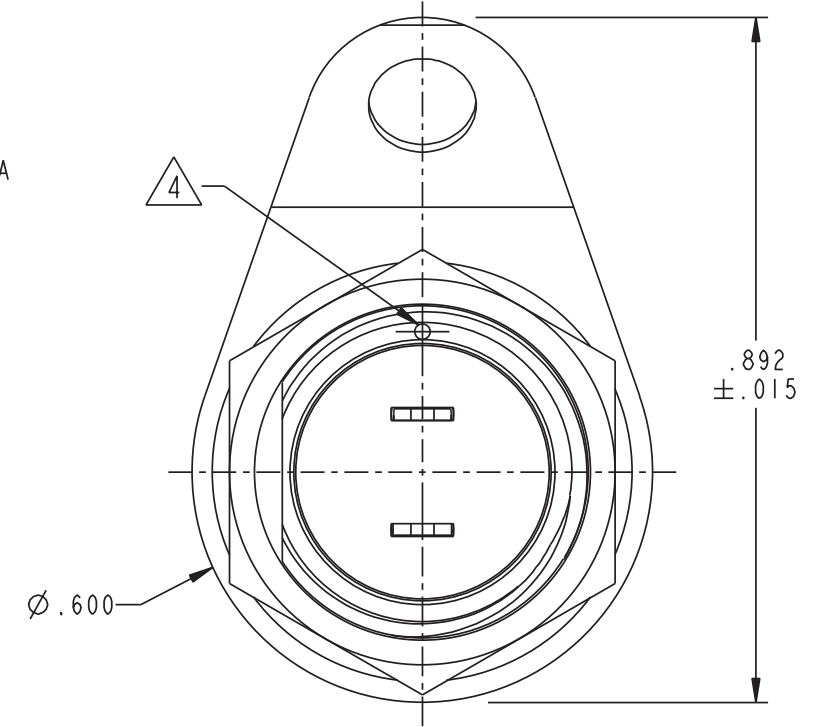
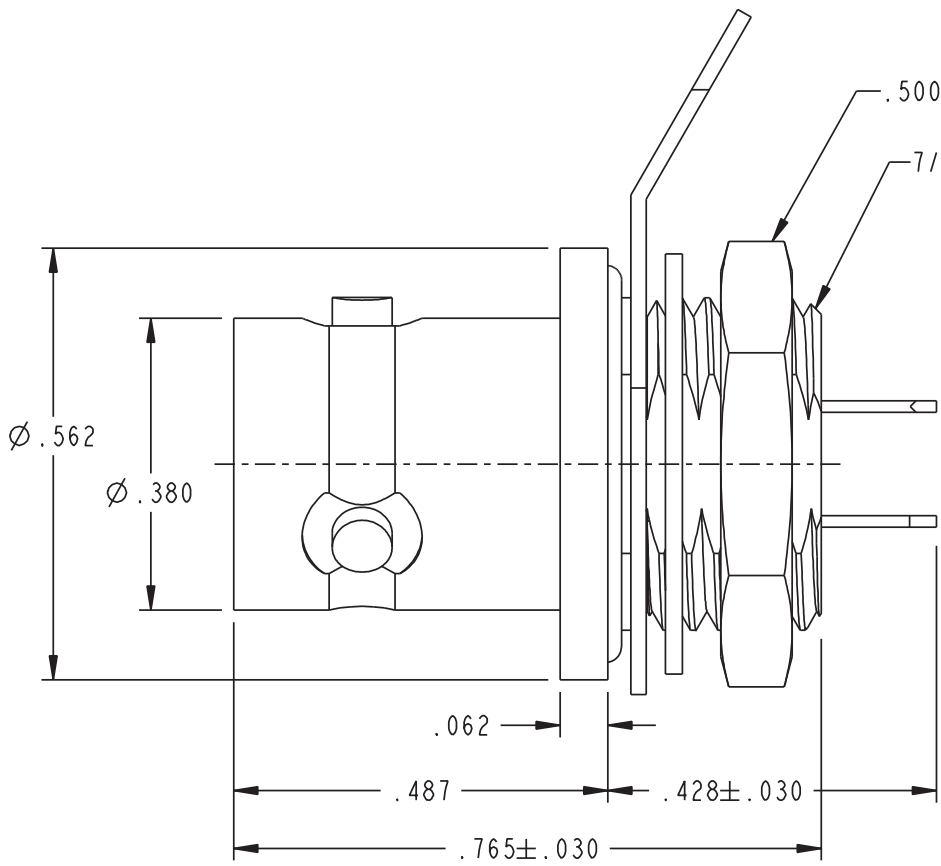


REVISIONS			
REV	DESCRIPTIONS	DATE	APPROVED
G	ECO 53253	4/29/11	T. KOHLER



RECOMMENDED  
PANEL CUTOUT  
SCALE 1.5:1

5. LEAKAGE RATE:  $1 \times 10^{-8}$  ATM CC/SEC MAXIMUM OF INERT GAS (HELIUM) IAW MIL-STD-1344 REVISION A, METHOD 1008, TEMPERATURE RANGE -45.6°C TO +71°C.

4. RED DOT INDICATES CENTER CONTACT TAB.

3. MAX PANEL THICKNESS: .125

2. SOCKET CONTACT CONCENTRIC TWINAX/TRIAX HERMETICALLY SEALED BULKHEAD MOUNT RECEPTACLE.

1. PASSIVATED STAINLESS STEEL.

NOTES: UNLESS OTHERWISE SPECIFIED.

INTERPRET DRAWING PER MIL-STD-100. DIMENSIONS ARE IN INCHES AND INCLUDE FINISH THICKNESS UNLESS OTHERWISE SPECIFIED.		TOL: UNLESS SPECIFIED. .XX ± .01 .XXX ± .003 .XXXX ± .0010 ANGLE ± 1° 00' CRITICAL		 Connectivity Solutions 299 Johnson Ave. Ste. 100 Waseca, MN 56093 1-800-247-8256	
DRN C. WALLACE	5/2/11	MATERIAL:	TITLE:  BJ77HS		
CHK		FINISH:	SIZE <b>A</b>	CAGE CODE <b>14949</b>	DRAWING NO. 305-0750
QUALITY			SCALE 4/1	DATE 1/10/11	REV. G
MANUF				SHEET 1 OF 2	
APPROVED					
SURFACE AREA		PROJ FILE NO. 305-0750	DO NOT SCALE DWG		

## X-ON Electronics

Largest Supplier of Electrical and Electronic Components

*Click to view similar products for [RF Connectors / Coaxial Connectors](#) category:*

*Click to view products by [Bel Fuse](#) manufacturer:*

Other Similar products are found below :

[8915-1511-000](#) [89674-0827](#) [6001-7071-019](#) [6002-7051-003](#) [6002-7551-202](#) [6059674-1](#) [619550-1](#) [630059-000](#) [M39030/3-01N](#) [6500-7071-046](#) [6769](#) [CX050L2AQ](#) [7002-1541-010](#) [7002-1542-011](#) [7004-1512-000](#) [7009-1511-004](#) [7010-1511-000](#) [7029-1511-060](#) [7101-1541-010](#) [7101-1571-002](#) [7145-1521-002](#) [7203-1571-003](#) [7209-1511-011](#) [7210-1511-015](#) [7210-1511-019](#) [73137-5015](#) [73216-2241](#) [73404-2300](#) [7405-1521-005](#) [7405-1521-802](#) [8527](#) [8547](#) [FS11V](#) [877931](#) [8808-1511-001](#) [9049-9513-000](#) [9074-9513-000](#) [9101-9573-002](#) [910A205F](#) [9130-9573-002](#) [PL11SC-026](#) [PL375-33](#) [PL40-5](#) [PL74C-221](#) [PL75MC-217](#) [PL803-7](#) [1200690078](#) [1-201144-1](#) [R107003010W](#) [R110A172100](#)