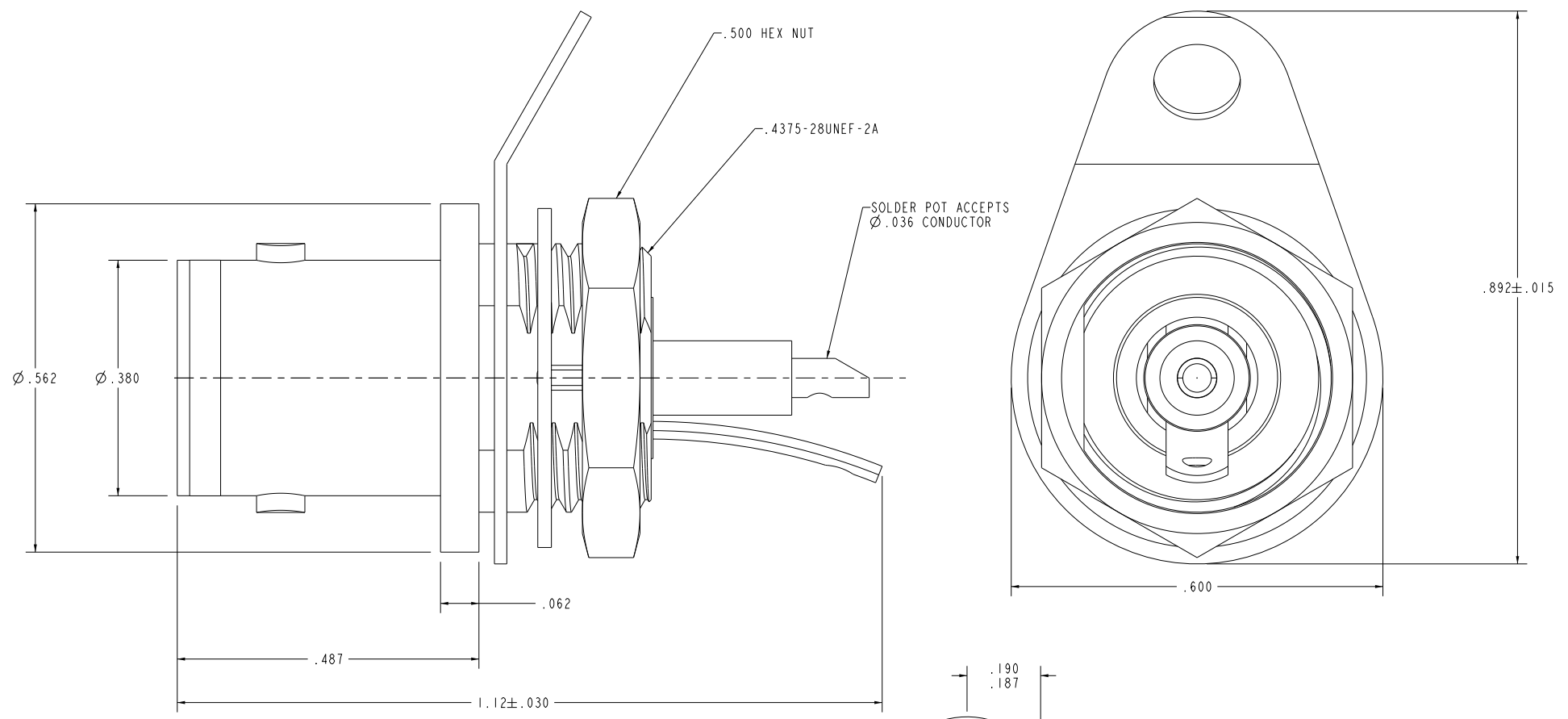


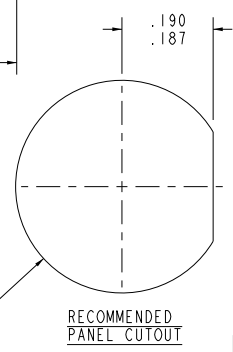
DATA CONTAINED IN THIS DOCUMENT IS PROPRIETARY TO EMERSON CONNECTIVITY SOLUTIONS AND SHALL NOT BE DISCLOSED, COPIED OR USED FOR PROMOTION OR MANUFACTURE WITHOUT EXPRESS WRITTEN PERMISSION

| REVISIONS | | | |
|-----------|--------------|----------|----------|
| REV | DESCRIPTIONS | DATE | APPROVED |
| K | ECO 52831 | 12/20/10 | T.KOHLER |



3. MAX PANEL THK .125
2. SOCKET CONTACT CONCENTRIC TWINAX/ TRIAX 2-LUG TRB SOLDER POT BULKHEAD MOUNT RECEPTACLE
1. FINISH: TFS-1A (NICKEL)

NOTES: UNLESS OTHERWISE SPECIFIED.



| | | | |
|--|---------------------------|--|-------------------------|
| I INTERPRET DRAWING PER MIL-STD-100. DIMENSIONS ARE IN INCHES AND INCLUDE FINISH THICKNESS UNLESS OTHERWISE SPECIFIED. | | TOL: UNLESS SPECIFIED. .XX ± .XXX ± .005 .XXXX ± ANGLE ± CRITICAL | |
| DRN J. CRAWFORD 1/29/11 | MATERIAL: | | |
| CRK C. WALLACE 2/7/11 | FINISH: | | |
| QUALITY MANUF | APPROVED | | |
| SURFACE AREA | PROJ FILE NO. 305-0508 | DO NOT SCALE DWG | |
| TITLE: BJ77TL | | SIZE C 14949 | DRAWING NO. 305-0508 |
| SCALE 8/1 | | DATE 10/10/83 | SHEET 1 OF 2 |
| N/A | | REV. K | REV. K |



X-ON Electronics

Largest Supplier of Electrical and Electronic Components

Click to view similar products for [RF Connectors / Coaxial Connectors](#) category:

Click to view products by [Bel Fuse](#) manufacturer:

Other Similar products are found below :

[8915-1511-000](#) [89674-0827](#) [6001-7071-019](#) [6002-7051-003](#) [6002-7551-202](#) [6059674-1](#) [619550-1](#) [630059-000](#) [M39030/3-01N](#) [6500-7071-046](#) [6769](#) [CX050L2AQ](#) [7002-1541-010](#) [7002-1542-011](#) [7004-1512-000](#) [7009-1511-004](#) [7010-1511-000](#) [7029-1511-060](#) [7101-1541-010](#) [7101-1571-002](#) [7145-1521-002](#) [7203-1571-003](#) [7209-1511-011](#) [7210-1511-015](#) [7210-1511-019](#) [73137-5015](#) [73216-2241](#) [73404-2300](#) [7405-1521-005](#) [7405-1521-802](#) [8527](#) [8547](#) [FS11V](#) [877931](#) [8808-1511-001](#) [9049-9513-000](#) [9074-9513-000](#) [9101-9573-002](#) [910A205F](#) [9130-9573-002](#) [PL11SC-026](#) [PL375-33](#) [PL40-5](#) [PL74C-221](#) [PL75MC-217](#) [PL803-7](#) [1200690078](#) [1-201144-1](#) [R107003010W](#) [R110A172100](#)