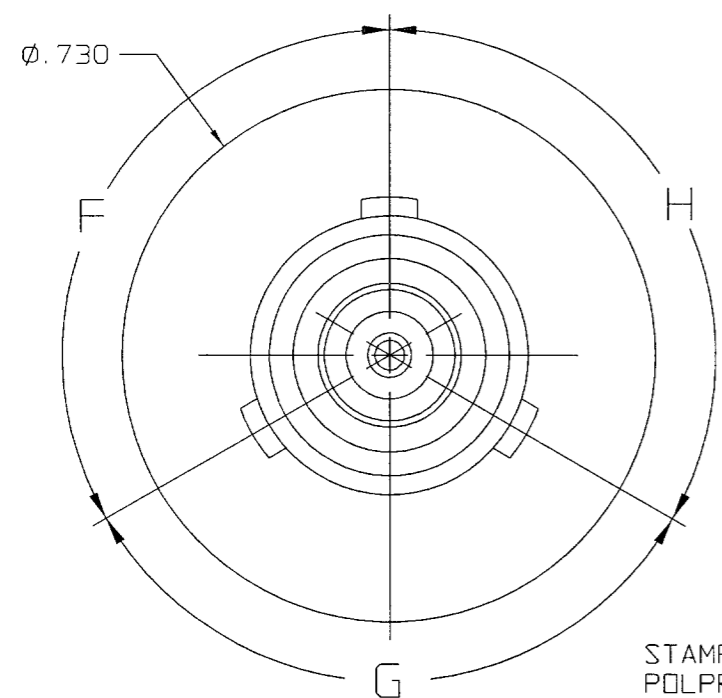


POLARIZATION CHART			
KEYING LETTER	F DEGREES	G DEGREES	H DEGREES
T	100°	150°	110°
U	120°	130°	110°
V	115°	130°	115°
W	125°	110°	125°
X	130°	100°	130°
Y	110°	140°	110°
Z	100°	160°	100°
S	135°	135°	90°
NONE	120°	120°	120°

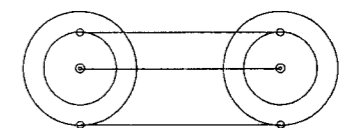
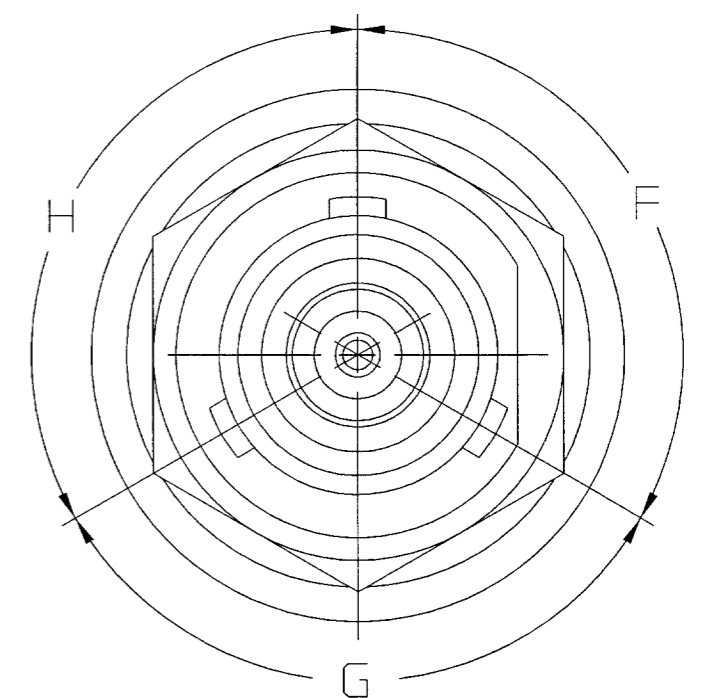
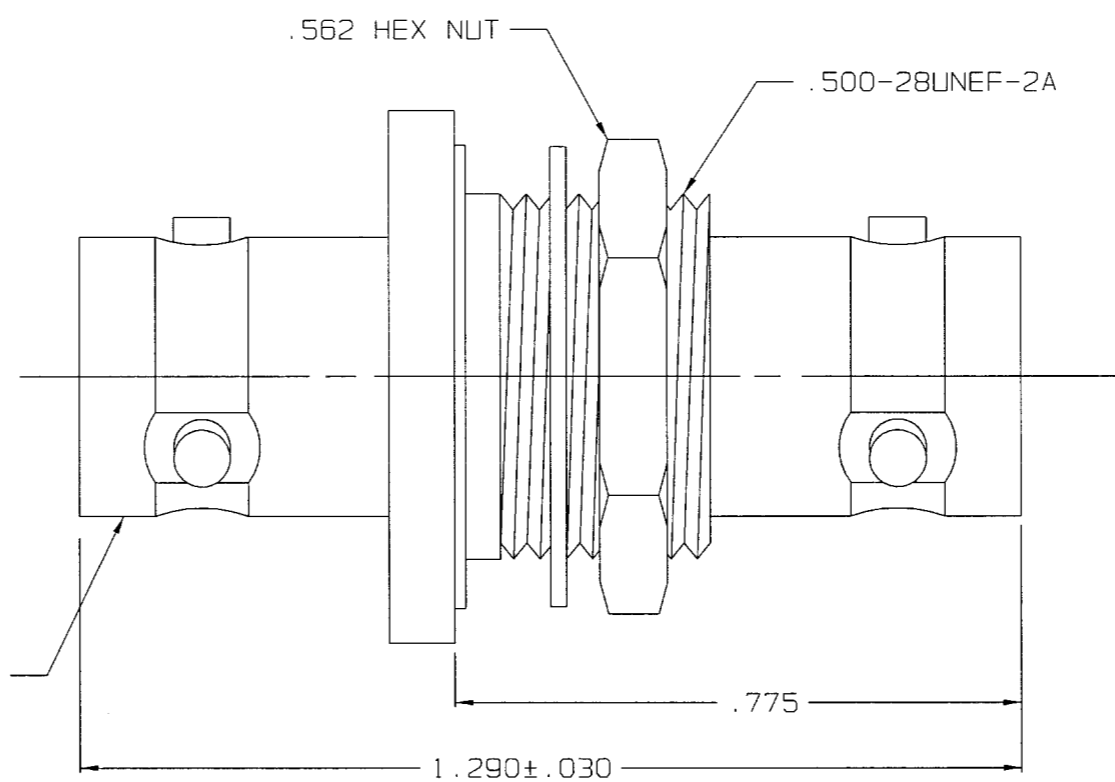
DATA CONTAINED IN THIS DOCUMENT IS PROPRIETARY TO TROMPETER ELECTRONICS INC. AND SHALL NOT BE DISCLOSED, COPIED OR USED FOR PROCUREMENT OR MANUFACTURE WITHOUT EXPRESS WRITTEN PERMISSION OF TROMPETER ELECTRONICS INC.

REVISIONS		3-0002	SH 1
REV	DESCRIPTION	DATE	APPROVED
P	REVISED PER ECO 15112	7/10/03	WJ

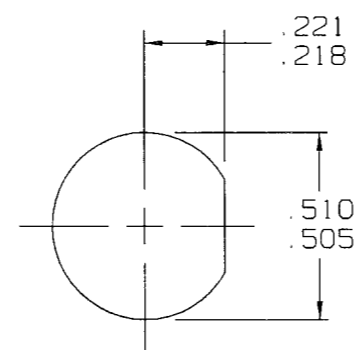
RED INDICATES ORIGINAL



STAMPED POLPRIZATION KEY BOTH ENDS



SCHMATIC



RECOMMENDED
PANEL CUTOUT
SCALE: 2/1

5. EXAMPLE OF COMPLETE MODEL NO:

BASIC MODEL NO	KEY LTR (POLARIZATION)	
4. CONCENTRIC TWINAX/TRIAX TRB BULKHEAD MOUNT FEEDTHRU RECEPTACLE
3. MAX PANEL THK .187
2. FINISH: TFS-1A (NICKEL)
1. ALL DIM ARE IN INCHES

INTERPRET DRAWING PER MIL-STD-100 DIMENSIONS ARE IN INCHES AND INCLUDE FINISH THICKNESS UNLESS OTHERWISE SPECIFIED		TOL: UNLESS SPECIFIED .XX .XXX ±.005 .XXXX		TROMPETER ELECTRONICS, INC.
DRAWN AAH	DATE 7-7-03	MATERIAL:	TITLE: BJ78	
CHECKED ZJA	DATE 7-2-03	FINISH:	SIZE B	CAGE CODE 14949
QUALITY WJ	DATE 7/10/03		DRAWING NO. 3-0002	REV. P
MANUFACTURED WJ	DATE 7/10/03	DO NOT SCALE DWG	SCALE 4/1	DATE: 1-31-61
APPROVED WJ	DATE 7/10/03			SHEET 1C

X-ON Electronics

Largest Supplier of Electrical and Electronic Components

Click to view similar products for [RF Adapters - Between Series category:](#)

Click to view products by [Bel Fuse manufacturer:](#)

Other Similar products are found below :

[5945-9503-000](#) [MCX/F-SMA/M](#) [R192417010](#) [ADBJ20-E1-BJ379](#) [ADM2](#) [ADPL75-A1-PL75](#) [242191](#) [9317505](#) [29-3835P](#) [AD130](#) [ADBJ20-E1-PL74](#) [ADBJ20-E2-BJ79](#) [ADBJ77-A1-PL375](#) [ADBJ77-E1-UPL20](#) [ADRMF370](#) [242215](#) [242228](#) [R125680000W](#) [R192430000](#) [UAD95](#) [1057367-1](#) [8311505](#) [R114704000](#) [R451034500](#) [R451030500](#) [R451543000](#) [HDVDPN](#) [ADBJ20-K1-PL20](#) [R451570000](#) [R192419000](#) [R451034000](#) [J9](#) [J3WE-5](#) [R451032500](#) [242201RP](#) [17K132-K00S5](#) [AD-RSMAF-RTNC](#) [53K156-K00N5](#) [02K119-K00E3](#) [29S132-K01N5](#) [53S156-K00N5](#) [02S119-S00E3](#) [28K132-K00N5](#) [02S109-K00S3](#) [27-8200TP](#) [242235](#) [ADBJ20-E1-BJ89](#) [000-2900](#) [321-102-003 \(SMA-50/2-H155/W1.03 AU\)](#) [1057377-1](#)