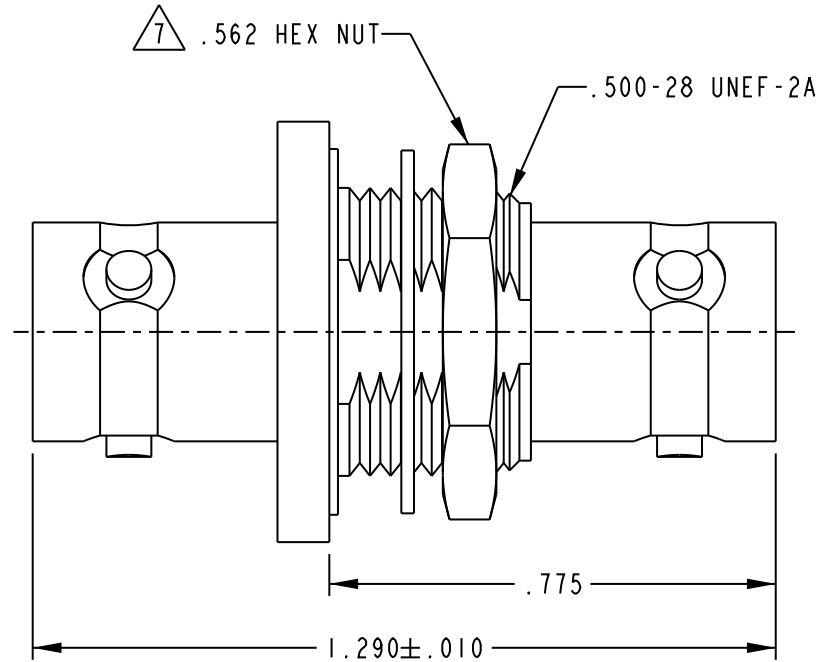
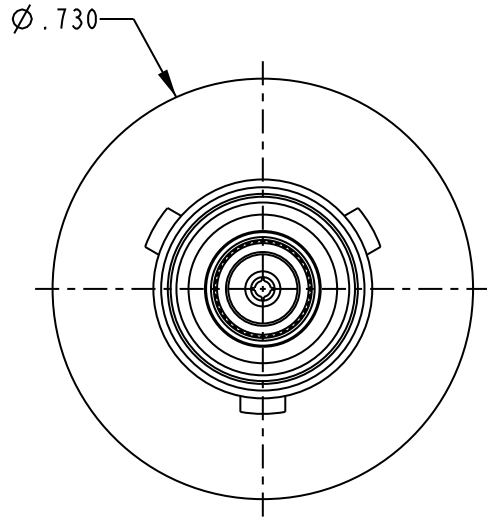
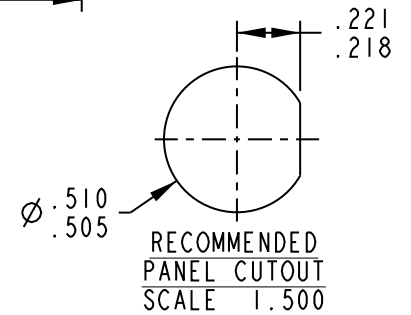


DATA CONTAINED IN THIS DOCUMENT IS PROPRIETARY TO EMERSON CONNECTIVITY SOLUTIONS AND SHALL NOT BE DISCLOSED, COPIED OR USED FOR PROCUREMENT OR MANUFACTURE WITHOUT EXPRESS WRITTEN PERMISSION

REVISIONS			
REV	DESCRIPTIONS	DATE	APPROVED
H	ECO 53006	2/7/11	T. KOHLER




BJ78HS SHOWN



- △ 7. FOR BJ78HSS, 5/8 HEX NUT.
- 6. FOR BJ78HSS, REPLACE 8-1520-17 WITH 805-1304-3
- 5. MATERIAL & CONSTRUCTION: MEET THE REQUIREMENTS OF MIL-C-49142 WHERE APPLICABLE.
- 4. DIELECTRIC WITHSTANDING VOLTAGE: 500 V COMMON MADE VOLTAGE BETWEEN CIRCUITS.
- 3. LEAK RATE:  $1 \times 10^{-8}$  CC/SEC MAX OF TRACER GAS AT ATMOSPHERIC PRESURE.
- 2. HERMETICALLY SEALED TWINAX/TRIAx FEED THRU ADAPTER FOR MOUNTING IN BULKHEAD .187 THK MAX.
- △ 1. PASSIVATED STAINLESS STEEL.

NOTES: UNLESS OTHERWISE SPECIFIED.

INTERPRET DRAWING PER MIL-STD-100. DIMENSIONS ARE IN INCHES AND INCLUDE FINISH THICKNESS UNLESS OTHERWISE SPECIFIED.		TOL: UNLESS SPECIFIED. .XX ± .XXX ± .005 .XXXX ± ANGLE ±		 Cinch Connectivity Solutions 299 Johnson Ave, Ste. 100 Waseca, MN 56093 1-800-247-8256	
DRN C. WALLACE	4/7/11	MATERIAL:	TITLE: BJ78HS, BJ78HSS		
CHK T. KOHLER	4/8/11	FINISH:	SIZE △	CAGE CODE 14949	DRAWING NO. 305-0063
QUALITY					REV. H
MANUF					
APPROVED					
SURFACE AREA	PROJ TITLE NO. 305-0063	DO NOT SCALE DWG	SCALE 2/1	DATE 5/5/11	SHEET 1 OF 2

## X-ON Electronics

Largest Supplier of Electrical and Electronic Components

*Click to view similar products for [RF Adapters - Between Series category](#):*

*Click to view products by [Bel Fuse manufacturer](#):*

Other Similar products are found below :

[5945-9503-000](#) [MCX/F-SMA/M](#) [R192417010](#) [ADBJ20-E1-BJ379](#) [ADM2](#) [ADPL75-A1-PL75](#) [242191](#) [9317505](#) [29-3835P](#) [AD130](#) [ADBJ20-E1-PL74](#) [ADBJ20-E2-BJ79](#) [ADBJ77-A1-PL375](#) [ADBJ77-E1-UPL20](#) [ADRMF370](#) [242215](#) [242228](#) [R125680000W](#) [R192430000](#) [UAD95](#) [1057367-1](#) [8311505](#) [R114704000](#) [R451034500](#) [R451030500](#) [R451543000](#) [HDVDPN](#) [ADBJ20-K1-PL20](#) [R451570000](#) [R451034000](#) [J9](#) [J3WE-5](#) [R451032500](#) [242201RP](#) [17K132-K00S5](#) [AD-RSMAF-RTNC](#) [53K156-K00N5](#) [02K119-K00E3](#) [29S132-K01N5](#) [53S156-K00N5](#) [02S119-S00E3](#) [28K132-K00N5](#) [02S109-K00S3](#) [27-8200TP](#) [242235](#) [ADBJ20-E1-BJ89](#) [000-2900](#) [321-102-003 \(SMA-50/2-H155/W1.03 AU\)](#) [1057377-1](#) [321-350-001 \(SMA-50-R/2-RG316/N2.01\)](#)