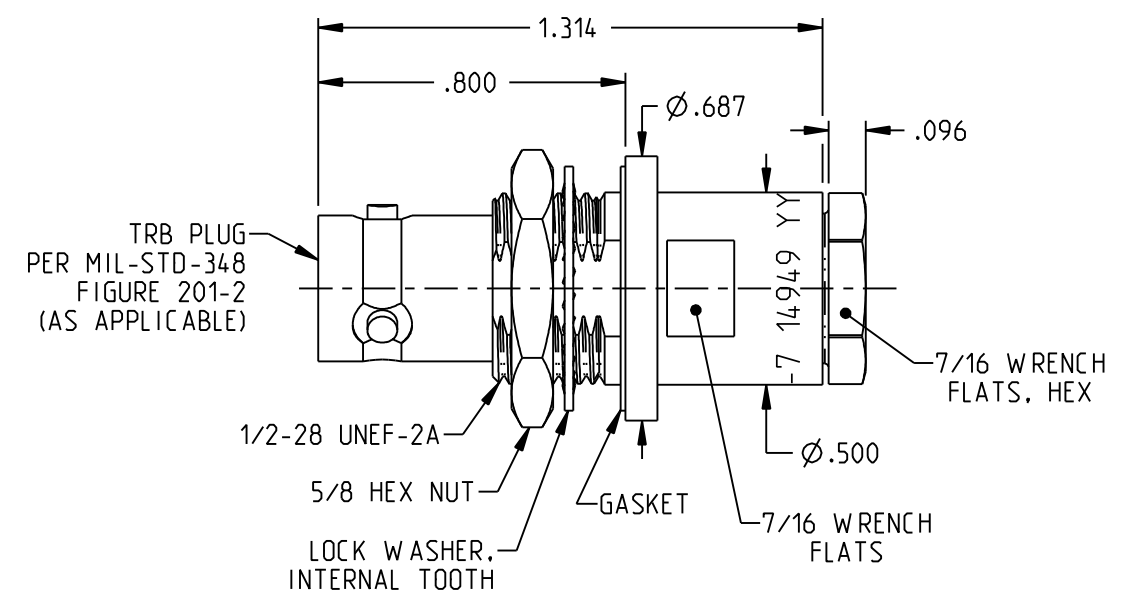
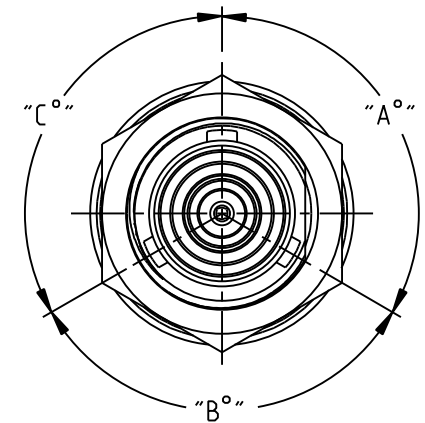
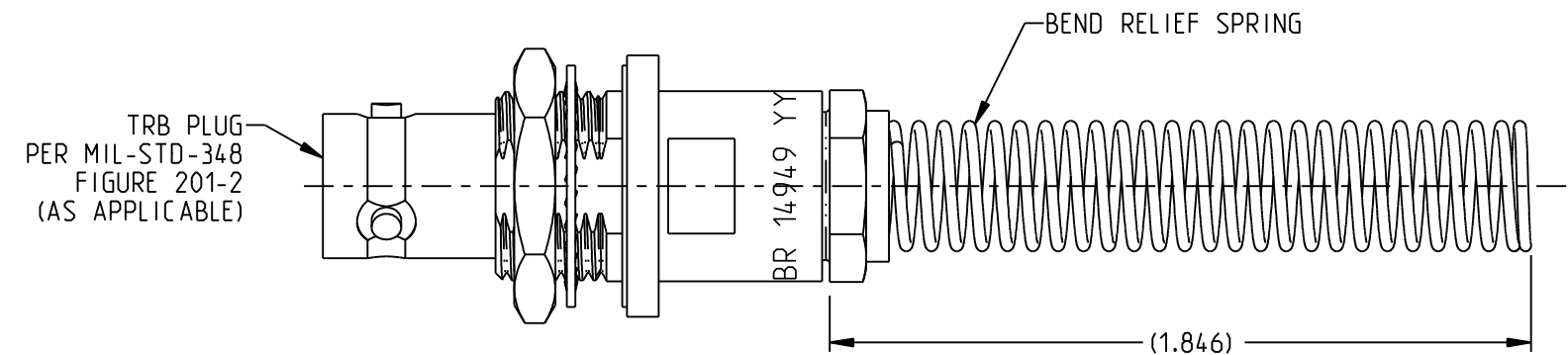
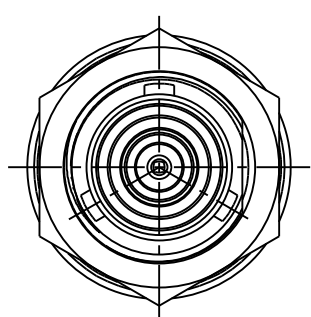


TABLE 1			
MODEL NUMBER	CABLES ACCOMMODATED	ASSEMBLE PER	SH
BJ79-7	TRC-50-2 TRC-75-2	TAI-189	1
BJ79-9	TWC-78-2 TWC-124-2	TAI-102	
BJ79-23	250-3884, MICRODOT	TAI-189	
BJ79-24	202-3934, MICRODOT	TAI-102	
BJ79-24A	9530A5117, RAYCHEM	TAI-189	
BJ79-25	T-43M, GENERAL	TAI-102	
BJ79-25A	5021H5331, RAYCHEM	TAI-189	
BJ79-26	7028A5518, RAYCHEM		
BJ79-27	202-3927, MICRODOT	TAI-102	
BJ79-29	TWC-78-1 TWC-124-1A		
BJ79-30	761A, W.E.CO. 8441, BELDEN		
BJ79-32	TRC-50-1	TAI-189	
BJ79-33	TRC-75-1		
BJ79-42	21-204, ESSEX 4463 CONSOLIDATED		
BJ79-43	250-4044, 250-4045, 293-3930, MICRODOT	TAI-102	
BJ79-45	M27500-22TE2T14 1100-66F, STANDARD		
BJ79-47	M17/176-00002		
BJ79-49	TWAC-78-1F2	TAI-189	
BJ79-55	89272, BELDEN		
BJ79-56	GC875GC1, GRUMMAN		
BJ79-57	GC875GB1, GRUMMAN	TAI-102	
BJ79-58	GC875TM24H, GRUMMAN		
BJ79-58-1T	GC875TM24H, GRUMMAN	—	
BJ79-59	GC875LN1, GRUMMAN		
BJ79-60	M17/177, THERMATICS 380-10045, BOEING	TAI-189	
BJ79-64	7528A5314, RAYCHEM		

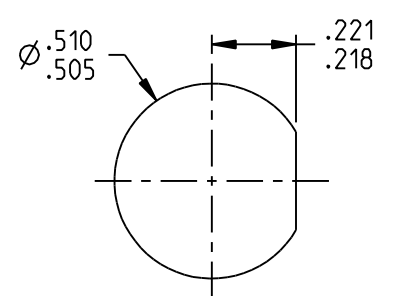
TABLE 2			
POLARIZATION CHART			
KEYING LETTER	"A°"	"B°"	"C°"
NONE	120	120	120
T	100	150	110
U	120	130	110
V	115	130	115
W	125	110	125
X	130	100	130
Y	110	140	110
Z	100	160	100
S	135	135	90



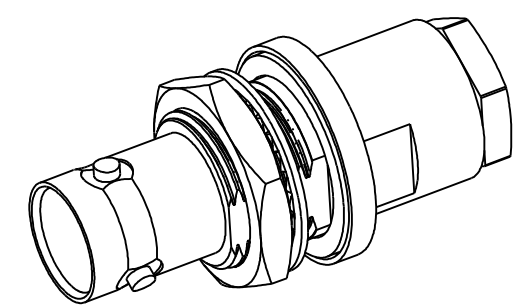
BJ79-7 SHOWN
UNLESS OTHERWISE SPECIFIED
DIMENSIONS COMMON TO ALL MODEL NO.



BJ79-7BR SHOWN



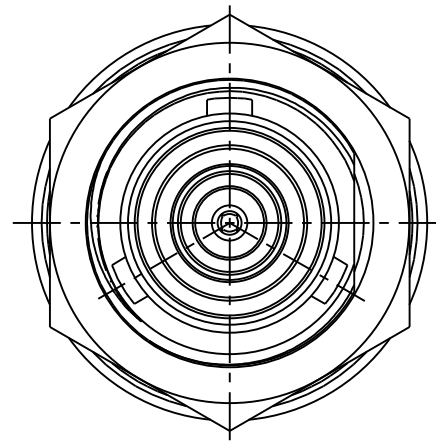
RECOMMENDED
PANEL CUTOUT



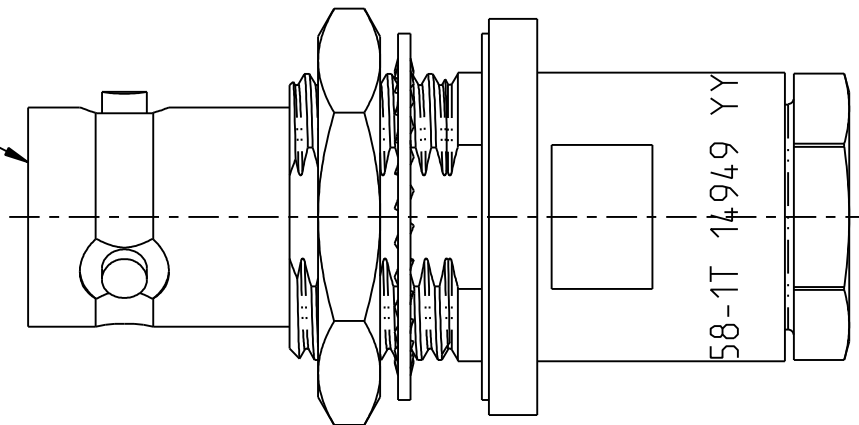
NOTES: UNLESS OTHERWISE SPECIFIED.

- MATERIAL & FINISH:
 - BODY, CONE & CLAMP NUT: NICKEL PLATED BRASS
 - INSULATORS & DIELECTRIC: PTFE (TEFLON)
 - INTERMEDIATE CONTACT: GOLD PLATED BRASS
 - CENTER CONTACT: GOLD PLATED BERYLLIUM COPPER
 - GASKET: SILICONE RUBBER
 - MOUNTING HARDWARE: NICKEL PLATED COPPER ALLOY
 - BEND RELIEF SPRING: PASSIVATED STAINLESS STEEL
- ELECTRICAL:
 - FREQUENCY (MAX): 500 MHZ
 - IMPEDANCE: NON-CONSTANT
- PANEL NUT TORQUE (MAX): 40 IN-LBS
- ASSEMBLE PER TABLE 1.
- EXAMPLE OF COMPLETE MODEL NO.
 BJ79 A -BB BR
 — BEND RELIEF SPRING (OPTIONAL)
 — ASSEMBLY DASH NO.
 — KEYING LETTER PER TABLE 2 (AS APPLICABLE)
 — BASE MODEL NO.

<p>This PROPRIETARY Document is property of Cinch Connectivity Solutions. It is confidential in nature, non-transferable, and issued with the clear understanding that it is not traced or copied without permission and is returnable upon demand.</p> <p>INTERPRET DRAWING IN ACCORDANCE WITH ASME Y14.5-2009.</p>	<p>3RD ANGLE PROJECTION</p> <p>RoHS2</p> <p>2011/65/EU</p> <p>UNLESS OTHERWISE SPECIFIED UNITS: INCH</p> <p>.XX ±.02</p> <p>.XXX ±.010</p> <p>ANGLES ±2°</p>	<p>TROMPETER</p> <p>Title: TRB CABLE JACK, BULKHEAD MOUNT, TOOL CRIMP</p> <p>Model No.: BJ79A-BBCC</p> <p>Size: B</p> <p>DO NOT SCALE DRAWING</p> <p>Date: 9/10/2018</p> <p>Sheet: 1 OF 2</p>
--	--	--




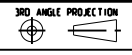
TRB PLUG
PER MIL-STD-348
FIGURE 201-2
(AS APPLICABLE)



BJ79-58-1T SHOWN

NOTES: UNLESS OTHERWISE SPECIFIED (THIS PAGE)

1. MATERIAL & FINISH:
 - 1.1 BODY, CONE & CLAMP NUT: TIN PLATED BRASS
 - 1.2 INSULATORS & DIELECTRIC: PTFE (TEFLON)
 - 1.3 INTERMEDIATE CONTACT: GOLD PLATED BRASS
 - 1.4 CENTER CONTACT: GOLD PLATED BERYLLIUM COPPER
 - 1.5 GASKET: SILICONE RUBBER
 - 1.6 MOUNTING HARDWARE: TIN PLATED COPPER ALLOY

 <small>This PROPRIETARY Document is property of Cinch Connectivity Solutions. It is confidential in nature, non-transferable, and issued with the clear understanding that it is not traced or copied without permission and is returnable upon demand.</small> <small>INTERPRET DRAWING IN ACCORDANCE WITH ASME Y14.5-2009.</small>	 RoHS2 <input checked="" type="checkbox"/> <small>2011/65/EU</small> <small>UNLESS OTHERWISE SPECIFIED UNITS: INCH</small>	TROMPETER <small>Title:</small> TRB CABLE JACK, BULKHEAD MOUNT, TOOL CRIMP <small>Model No.:</small> BJ79A-BBCC	
	<small>.XX ±.02</small> <small>.XXX ±.010</small> <small>ANGLES ±2°</small>	<small>Size</small> B <small>DO NOT SCALE DRAWING</small> <small>Date</small> 9/10/2018 <small>Sheet</small> 2 OF 2	

X-ON Electronics

Largest Supplier of Electrical and Electronic Components

Click to view similar products for [RF Connectors / Coaxial Connectors](#) category:

Click to view products by [Bel Fuse](#) manufacturer:

Other Similar products are found below :

[8915-1511-000](#) [89674-0827](#) [6001-7071-019](#) [6002-7051-003](#) [6002-7551-202](#) [6059674-1](#) [619550-1](#) [630059-000](#) [M39030/3-01N](#) [6500-7071-046](#) [6769](#) [CX050L2AQ](#) [7002-1541-010](#) [7002-1542-011](#) [7004-1512-000](#) [7009-1511-004](#) [7010-1511-000](#) [7029-1511-060](#) [7101-1541-010](#) [7101-1571-002](#) [7145-1521-002](#) [7203-1571-003](#) [7209-1511-011](#) [7210-1511-015](#) [7210-1511-019](#) [73137-5015](#) [73216-2241](#) [73404-2300](#) [7405-1521-005](#) [7405-1521-802](#) [8527](#) [8547](#) [FS11V](#) [877931](#) [8808-1511-001](#) [9049-9513-000](#) [9074-9513-000](#) [9101-9573-002](#) [910A205F](#) [9130-9573-002](#) [PL11SC-026](#) [PL375-33](#) [PL40-5](#) [PL74C-221](#) [PL75MC-217](#) [PL803-7](#) [1200690078](#) [1-201144-1](#) [R107003010W](#) [R110A172100](#)