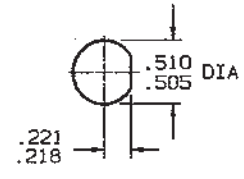


DISK # H5
 DWG SIZE C
 DATA CONTAINED IN THIS DOCUMENT IS PROPRIETARY TO TROMPETER ELECTRONICS INC. AND SHALL NOT BE DISCLOSED, COPIED OR USED FOR PROCUREMENT OR MANUFACTURE WITHOUT EXPRESS WRITTEN PERMISSION.

REVISIONS			3-0052	SH 1	
REV	EO	DESCRIPTION	DWN	APPROVED	DATE
J	9320	-7, -23, -24A, -25A, -26, -32, -33, -42, -43, -56, -57, -60, -64. ASSY INSTR WAS TAI-104; AND GENERAL UPDATE	DKC	B.M. <i>[Signature]</i>	5/29/91

DASH NO	CABLES ACCOMMODATED	ASSEMBLE PER
-7	TRC-50-2/TRC-75-2	TAI-189
-9	TWC-78-2/TWC-124-2	TAI-102
-23	250-3884, MICRODOT	TAI-189
-24	202-3934, MICRODOT	TAI-102
-24A	9530A5117, RAYCHEM	TAI-189
-25	T-43M, GENERAL	TAI-102
-25A	502JH5331, RAYCHEM	TAI-189
-26	7028A5518, RAYCHEM	TAI-189
-27	202-3927, MICRODOT	TAI-102
-29	TWC-78-1/TWC-124-1A	TAI-102
-30	761A, W. E. CO./8441, BELDEN	TAI-189
-32	TRC-50-1	TAI-189
-33	TRC-75-1	TAI-189
-42	21-204, ESSEX 4453, CONSOLIDATED	TAI-189
-43	250-4044/250-4045 293-3930, MICRODOT	TAI-189
-45	M27500-22TE2T14 1100-66F, STANDARD	TAI-102
-47	M17/176-00002	TAI-102
-49	TWAC-78-1F2	TAI-189
-55	89272, BELDEN	TAI-189
-56	6C8756C1, GRUMMAN	TAI-189
-57	6C8756B1, GRUMMAN	TAI-102
-58	6C875TM24H, GRUMMAN	TAI-102
-59	6C875LN1, GRUMMAN	TAI-189
-60	M17/177, THERMATICS 380-10045, BOEING	TAI-189
-64	7528A5314, RAYCHEM	TAI-189



RECOMMENDED
 PANEL CUTOUT
 SCALE: 1/1

FIG 1
 -7 SHOWN

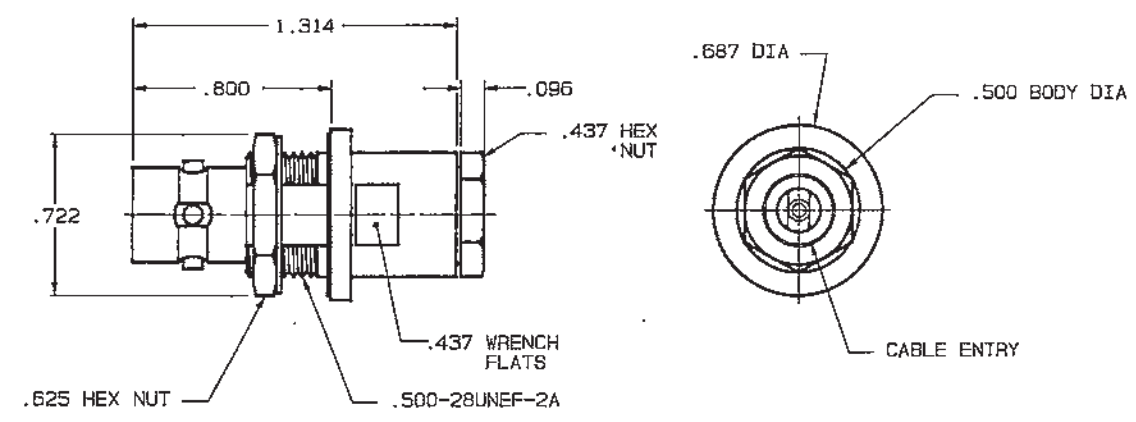
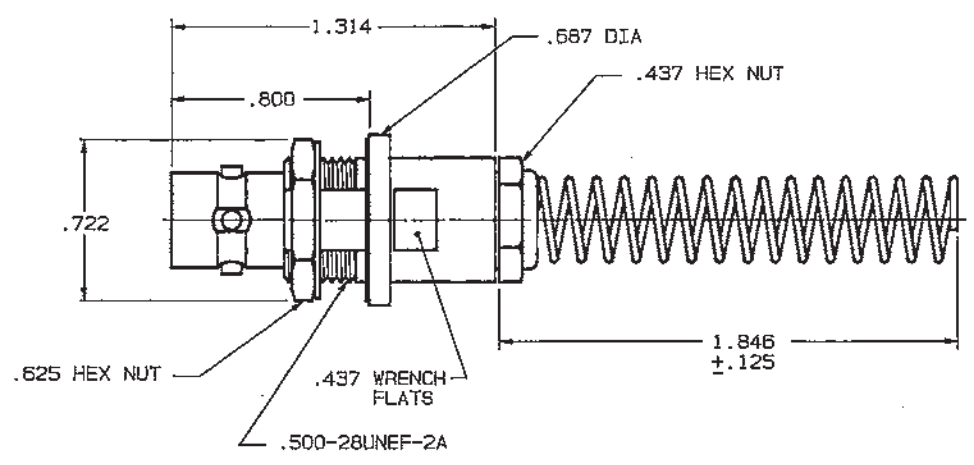


FIG 2
 -7 SHOWN



INCH	MM	INCH	MM
.005	0.13	.274	6.96
.096	2.44	.285	7.24
.125	3.18	.300	7.62
.132	3.35	.437	11.10
.145	3.68	.500	12.70
.160	4.06	.505	12.83
.164	4.17	.510	12.95
.183	4.65	.625	15.88
.191	4.85	.687	17.45
.198	5.03	.722	18.34
.200	5.08	.800	20.32
.217	5.51	1.314	33.38
.218	5.54	1.846	46.89
.221	5.61		
.235	5.97		

CABLE ENTRY			
DASH NO	DIA	DASH NO	DIA
-7	.274	-33	.217
-9	.285	-42	.300
-23	.183	-43	.200
-24	.191	-45	.183
-24A	.200	-47	.184
-25	.285	-49	.132
-25A	.285	-55	.250
-26	.183	-56	.191
-27	.145	-57	.191
-29	.191	-58	.198
-30	.235	-59	.198
-32	.191	-60	.217

RED INDICATES ORIGINAL

△ IF BEND RELIEF SPRING REQD ADD SUFFIX "BR" TO MODEL NO (SEE FIG 2)

4. CONCENTRIC TWINAX/TRIAX 4 LUG TRB BULKHEAD MOUNT CABLE RECEPTACLE
3. MAX PANEL THK .160
2. FINISH: TFS-1A (NICKEL)
1. ALL DIM ARE IN INCHES

QTY	DESCRIPTION	PART NUMBER	ITEM
TOL UNLESS SPECIFIED .XX ± .XXX ± .005 .XXXX ± ANGLES ±	TROMPETER RF connectivity	BJ79FL/BJ79FLBR	
DWN DKC 5-13-91	MATERIAL	CODE IDENT 14949	DRAWING NO. 3-0052
CHK B.M. 5-27-91			REV J
305-0515 ENGR			
NEXT ASSY APPR	SCALE 2/1	DATE 4-25-83	SHEET 1 OF 2

X-ON Electronics

Largest Supplier of Electrical and Electronic Components

Click to view similar products for [RF Connectors / Coaxial Connectors](#) category:

Click to view products by [Bel Fuse](#) manufacturer:

Other Similar products are found below :

[8915-1511-000](#) [89674-0827](#) [6001-7071-019](#) [6002-7051-003](#) [6002-7551-202](#) [6059674-1](#) [619550-1](#) [630059-000](#) [M39030/3-01N](#) [6500-7071-046](#) [6769](#) [CX050L2AQ](#) [7002-1541-010](#) [7002-1542-011](#) [7004-1512-000](#) [7009-1511-004](#) [7010-1511-000](#) [7029-1511-060](#) [7101-1541-010](#) [7101-1571-002](#) [7145-1521-002](#) [7203-1571-003](#) [7209-1511-011](#) [7210-1511-015](#) [7210-1511-019](#) [73137-5015](#) [73216-2241](#) [73404-2300](#) [7405-1521-005](#) [7405-1521-802](#) [8527](#) [8547](#) [FS11V](#) [877931](#) [8808-1511-001](#) [9049-9513-000](#) [9074-9513-000](#) [9101-9573-002](#) [910A205F](#) [9130-9573-002](#) [PL11SC-026](#) [PL375-33](#) [PL40-5](#) [PL74C-221](#) [PL75MC-217](#) [PL803-7](#) [1200690078](#) [1-201144-1](#) [R107003010W](#) [R110A172100](#)