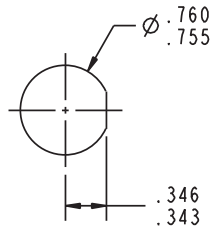
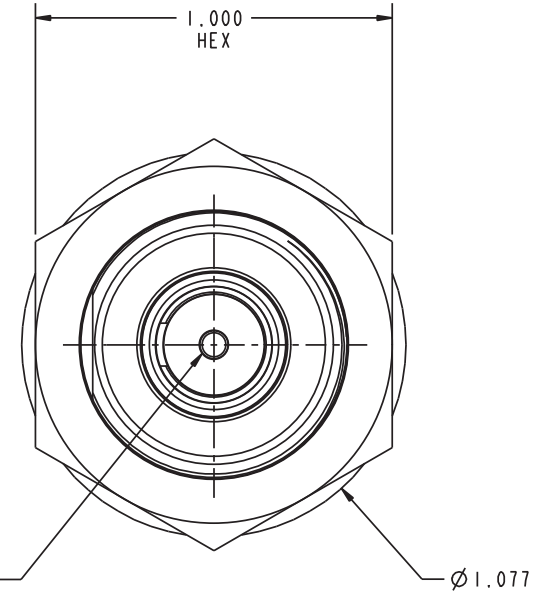
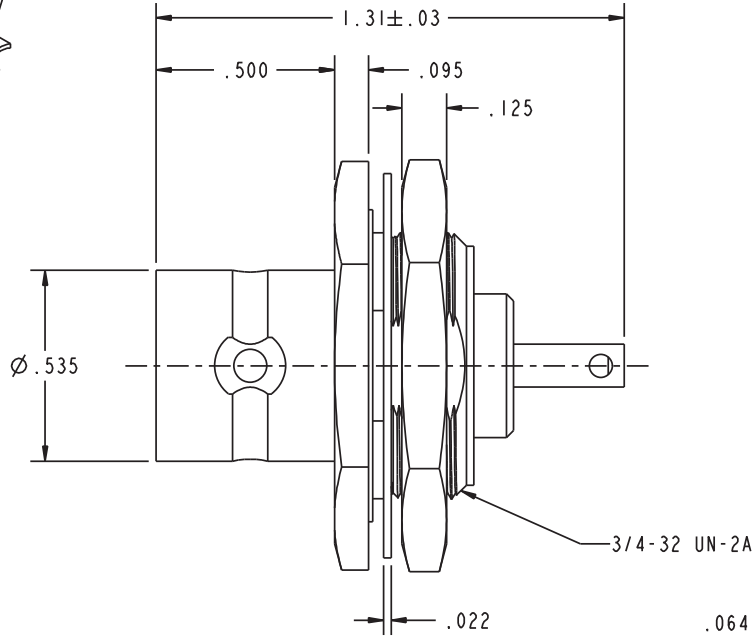
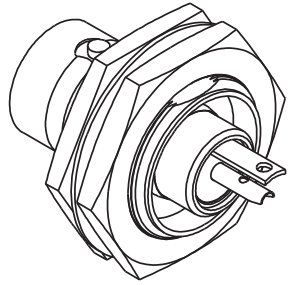


REVISIONS			
REV	DESCRIPTIONS	DATE	APPROVED
L	ECO 53348	6/14/11	CSM

DATA CONTAINED IN THIS DOCUMENT IS PROPRIETARY TO EMERSON CONNECTIVITY SOLUTIONS AND SHALL NOT BE DISCLOSED, COPIED OR USED FOR PRODUCTION OR MANUFACTURE WITHOUT EXPRESS WRITTEN PERMISSION



RECOMMENDED
PANEL CUTOUT

3. PIN CONTACT CONCENTRIC TWINAX/
TRIAx TRC SERIES ("C" SIZE) SOLDER
POT BULKHEAD MOUNT RECEPTACLE
2. MAX PANEL THICKNESS .156
1. FINISH: TFS-1A (NICKEL)

NOTES: UNLESS OTHERWISE SPECIFIED.

<small>INTERPRET DRAWING PER MIL-STD-100 DIMENSIONS ARE IN INCHES AND INCLUDE FINISH THICKNESS UNLESS OTHERWISE SPECIFIED.</small>		<small>TOL: UNLESS SPECIFIED, .125 ± .02 .125 ± .010 .125 ± .0010 ANGLE ± 1° 00' CRITICAL</small>		Connectivity Solutions 299 Johnson Ave. Ste. 100 Roseco, MN 56093 1-800-247-6256	
DATE	6/14/11	MATERIAL:	TITLE: BJ80		
CHK	CSM 6/15/11	FINISH:	SIZE	CAGE CODE	DRAWING NO.
QUALITY			B	14949	1-0402
BLANK LENGTH (REF. ONLY)			SCALE	DATE	REV.
N/A			3/1	6/14/11	L
SURFACE AREA	PROVE FILE NO. 1-0402	DO NOT SCALE DWG	SCALE	DATE	SHEET
					1 OF 2

X-ON Electronics

Largest Supplier of Electrical and Electronic Components

Click to view similar products for [RF Connectors / Coaxial Connectors](#) category:

Click to view products by [Bel Fuse](#) manufacturer:

Other Similar products are found below :

[8915-1511-000](#) [89674-0827](#) [6001-7071-019](#) [6002-7051-003](#) [6002-7551-202](#) [6059674-1](#) [619550-1](#) [630059-000](#) [M39030/3-01N](#) [6500-7071-046](#) [6769](#) [CX050L2AQ](#) [7002-1541-010](#) [7002-1542-011](#) [7004-1512-000](#) [7009-1511-004](#) [7010-1511-000](#) [7029-1511-060](#) [7101-1541-010](#) [7101-1571-002](#) [7145-1521-002](#) [7203-1571-003](#) [7209-1511-011](#) [7210-1511-015](#) [7210-1511-019](#) [73137-5015](#) [73216-2241](#) [73404-2300](#) [7405-1521-005](#) [7405-1521-802](#) [8527](#) [8547](#) [FS11V](#) [877931](#) [8808-1511-001](#) [9049-9513-000](#) [9074-9513-000](#) [9101-9573-002](#) [910A205F](#) [9130-9573-002](#) [PL11SC-026](#) [PL375-33](#) [PL40-5](#) [PL74C-221](#) [PL75MC-217](#) [PL803-7](#) [980-8666-005](#) [1200690078](#) [1-201144-1](#) [R107003010W](#)