

Features

- Extremely wide operating input voltage ranges from 8 to 385 VDC and 85 to 264 VAC, 47 to 440 Hz
- RoHS lead-solder exemption compliant
- Class I equipment
- Input over- and undervoltage lockout
- 1, 2, or 3 individually isolated and controlled outputs up to 72 V
- Outputs: SELV, no load, overload, short-circuit proof, rectangular current limiting characteristic
- Adjustable output voltages with remote on/off
- Immunity according to IEC/EN 61000-4-2, -3, -4, -5, -6
- Emissions according to EN 55011/55022
- All PCBs boards coated by protective lacquer
- Very high reliability
- Battery charger models available

Safety-approved to IEC/EN 60950-1 and UL/CSA 60950-1 2nd Ed.



Description

The M Series of DC-DC and AC-DC converters represents a broad and flexible range of power supplies for use in advanced industrial electronic systems. Features include high efficiency, reliability, low output voltage noise and excellent dynamic response to load/line changes due to individual regulation of each output.

The converter inputs are protected against surges and transients occurring at the source lines. An input over- and undervoltage lockout circuit disables the outputs, if the input voltage is outside the specified range. An inrush current limitation prevents circuit breakers and fuses from tripping at switch-on.

All outputs are open- and short-circuit proof, and are protected against overvoltages by means of built-in suppressor diodes. The outputs can be inhibited by a logic signal applied to the connector (pin 2). If the inhibit function is not used, pin 2 should be connected to pin 23 to enable the outputs.

LED indicators display the status of the converter and allow visual monitoring of the system at any time.

Full input to output, input to case, output to case, and output to output isolation is provided.

The case design allows operation at nominal load up to 71 °C in a free-air ambient temperature. If forced cooling is provided, the ambient temperature may exceed 71 °C but the case temperature should remain below 95 °C under all conditions.

A temperature sensor generates an inhibit signal, which disables the outputs, when the case temperature T_C exceeds the limit. The outputs automatically recover, when the temperature drops below the limit.

Various options are available to adapt the converters to individual applications.

The converters may either be plugged into a 19" rack system according to IEC 60927-3 or be mounted onto a chassis or a plate.

Table of Contents

Table of Contents	Page	Page	
Description	1	Electromagnetic Compatibility (EMC)	14
Model Selection	2	Immunity to Environmental Conditions	16
Functional Description	5	Mechanical Data	17
Electrical Input Data	6	Safety and Installation Instructions	18
Electrical Output Data	8	Description of Options	20
Auxiliary Functions	11	Accessories	26

Copyright © 2015, Bel Power Solutions Inc. All rights reserved.

Model Selection

Non-standard input/output configurations or special custom adaptations are available on request. Table 1 provides an overview of the basic input and output configurations. More

than 1000 different types have been manufactured with different input/output configurations and customized specialities. Please consult Power-One for additional information!

Table 1a: Standard models AM, BM, FM

Output 1		Output 2		Output 3		Operating input voltage range and efficiency					Options	
$V_{o\ nom}$ [VDC]	$I_{o\ nom}$ [A]	$V_{o\ nom}$ [VDC]	$I_{o\ nom}$ [A]	V_{nom} [VDC]	$I_{o\ nom}$ [A]	$V_{i\ min} - V_{i\ max}$ 8 – 35 VDC	η_{min}^1 [%]	$V_{i\ min} - V_{i\ max}$ 14 – 70 VDC	η_{min}^1 [%]	$V_{i\ min} - V_{i\ max}$ 20 – 100 VDC		η_{min}^1 [%]
5.1	8.0	-	-	-	-	AM1001-9R	72	BM1001-9R	74	FM1001-9R	74	-7, P,
12	4.0	-	-	-	-	AM1301-9R	79	BM1301-9R	80	FM1301-9R	80	D0 – D9,
15	3.4	-	-	-	-	AM1501-9R	79	BM1501-9R	81	FM1501-9R	81	V0 – V3 ³ ,
24	2.0	-	-	-	-	AM1601-9R	81	BM1601-9R	83	FM1601-9R	82	F, A, K, H,
48	1.0	-	-	-	-	AM1901-9R	81	BM1901-9R	83	FM1901-9R	83	G
5.1	4.0	5.0	4.0	-	-	-	-	BM2001-9	-	-	-	-7, P,
5.1	4.0	24	1.0	-	-	-	-	BM2060-9	-	-	-	D0 – D9
12	2.0	12	2.0	-	-	AM2320-9	77	BM2320-9	79	FM2320-9	80	A, K, H,
15	1.7	15	1.7	-	-	AM2540-9	78	BM2540-9	80	FM2540-9	79	G
24	1.0	24	1.0	-	-	-	-	BM2660-9	-	--	-	-
5.1	5.0	12	0.7	12	0.7	AM3020-9	75	BM3020-9	76	FM3020-9	76	-7, P,
5.1	5.0	15	0.6	15	0.6	AM3040-9	75	BM3040-9	76	FM3040-9	76	D0 – D9
5.1	5.0	24	0.35	24	0.35	-	-	BM3060-9	-	-	-	K, H, G

Table 1b: Standard models CM, DM, LM

Output 1		Output 2		Output 3		Operating input voltage range and efficiency					Options	
$V_{o\ nom}$ [VDC]	$I_{o\ nom}$ [A]	$V_{o\ nom}$ [VDC]	$I_{o\ nom}$ [A]	V_{nom} [VDC]	$I_{o\ nom}$ [A]	$V_{i\ min} - V_{i\ max}$ 28 – 140 VDC	η_{min}^1 [%]	$V_{i\ min} - V_{i\ max}$ 44 – 220 VDC	η_{min}^1 [%]	$V_{i\ min} - V_{i\ max}$ 88 – 372 VDC 85 – 264 VAC ²		η_{min}^1 [%]
5.1	8.0	-	-	-	-	CM1001-9R	74	DM1001-9R	74	LM1001-9R	74	-7, E ⁴ , P
12	4.0	-	-	-	-	CM1301-9R	80	DM1301-9R	81	LM1301-9R	80	D0 – D9
15	3.4	-	-	-	-	CM1501-9R	82	DM1501-9R	82	LM1501-9R	79	V0 – V3 ³
24	2.0	-	-	-	-	CM1601-9R	82	DM1601-9R	83	LM1601-9R	82	A, K, H,
48	1.0	-	-	-	-	CM1901-9R	82	DM1901-9R	83	LM1901-9R	82	G
5.1	4.0	5.0	4.0	-	-	CM2001-9	-	DM2001-9	-	LM2001-9	-	-7, E ⁴ , P
5.1	4.0	24	1.0	-	-	CM2060-9	-	DM2060-9	-	LM2060-9	-	D0 – D9
12	2.0	12	2.0	-	-	CM2320-9	79	DM2320-9	80	LM2320-9	80	A, K, H,
15	1.7	15	1.7	-	-	CM2540-9	80	DM2540-9	80	LM2540-9	79	G
24	1.0	24	1.0	-	-	CM2660-9	-	DM2660-9	-	LM2660-9	-	-
5.1	5.0	12	0.7	12	0.7	CM3020-9	76	DM3020-9	77	LM3020-9	74	-7, E ⁴ , P
5.1	5.0	15	0.6	15	0.6	CM3040-9	76	DM3040-9	76	LM3040-9	73	D0 – D9
5.1	5.0	24	0.35	24	0.35	CM3060-9	76	DM3060-9	76	LM3060-9	-	A, K, H, G

¹ Min. efficiency at $V_{i\ nom}$ and $I_{o\ nom}$. Typ. values are approx. 2% better.

² Operating frequency range: 47 – 440 Hz; see *Safety and Installation Instructions* for > 60 Hz !

³ Option V0, V2, V3 available only for output 1 = 5.1 V (excludes option R)

⁴ Option E only available for CM and LM models (not for DM)

NFND: Not for new designs.

Preferred for new designs

Table 1c: EM and battery charger models

Output 1				Output 2		Output 3		Operating input voltage range and efficiency				Options
$V_{o\text{ Bat}}^3$ [VDC]	$I_{o\text{ nom}}$ [A]	$V_{o\text{ safe}}^4$ [VDC]	$V_{o\text{ max}}$ [VDC]	$V_{o\text{ nom}}$ [VDC]	$I_{o\text{ nom}}$ [A]	$V_{o\text{ nom}}$ [VDC]	$I_{o\text{ nom}}$ [A]	$V_{i\text{ min}} - V_{i\text{ max}}$ 67 – 385 VDC	η_{min}^1 [%]	$V_{i\text{ min}} - V_{i\text{ max}}$ 88 – 372 VDC 85 – 264 VAC ²	η_{min}^1 [%]	
Same $V_{o\text{ nom}}$ and $I_{o\text{ nom}}$ as DM models	-	-	-	-	-	-	-	EM1xxx-9R EM2xxx-9R EM3xxx-9R	-	-	-	-7, E, D, A G
12	3.6	12.84	14.15 – 14.6	-	-	-	-	-	-	LM1781-9RD5	79	-7, E, A G
24	1.8	25.68	28.3 – 29.15	-	-	-	-	-	-	LM1782-9RD5	81	G
36	1.2	38.52	42.45 – 43.72	-	-	-	-	-	-	LM1783-9RD5	82	
48	0.9	51.36	56.6 – 58.3	-	-	-	-	-	-	LM1784-9RD5	81	
60	0.72	64.2	70.75 – 72.87	-	-	-	-	-	-	LM1785-9RD5	81	

¹ Min. efficiency at $V_{i\text{ nom}}$ and $I_{o\text{ nom}}$. Typ. values are approx. 2% better.

² Operating frequency range: 47 – 440 Hz; see *Safety and Installation Instructions* for > 60 Hz

³ $V_{o\text{ nom}}$ for EM models

⁴ Setting voltage with open R-input (battery chargers)

NFND: Not for new designs.

Preferred for new designs

Part Number Description

	C M 2 5 40 -9 E P D3 A H G
Operating input range V_i :	
8 – 35 VDC A	
14 – 70 VDC B	
20 – 100 VDC F	
28 – 140 VDC C	
44 – 220 VDC D	
67 – 385 VDC E	
85 – 264 VAC, 88 – 372 VDC L	
Series	M
Number of outputs	1, 2, 3
Output 1, $V_{o1\ nom}$:	
5.1 V 0, 1, 2	
12 V 3	
15 V 4, 5	
24 V 6	
other voltages 7, 8	
48 V 9	
Single-output models (different specs.)	01 – 99
Outputs 2, 3: $V_{o2\ nom}$, $V_{o3\ nom}$:	
5.1 V 01 – 19	
12 V 20 – 39	
15 V 40 – 59	
24 V 60 – 69	
other voltages and specs.	21 – 99
Ambient temperature range T_A :	
–25 to 71 °C -7	
–40 to 71 °C -9	
customer-specific ... -0, -5, -6, -8	
Auxiliary functions and options:	
Inrush current limitation (CM, EM, LM)	E
Output voltage control input (single-output models)	R ²
Potentiometers for adjustment of output voltages	P ²
Save data signal (D0 – D9, to be specified)	D ¹
ACFAIL signal (V0, V2, V3, to be specified)	V ¹
Output voltage test sockets	A
Increased electric strength test voltage	H
Input fuse built-in (not accessible)	F ³
Coding strip at the connector	K
RoHS compliant for all 6 substances	G

- ¹ Option D excludes option V and vice versa
- ² Feature R excludes option P and vice versa
- ³ Only for FM1000

Note: The sequence of options must follow the order above. This part number description is descriptive only; it is not intended for creating part numbers.

NFND: Not for new designs Preferred for new designs.

Example: CM2540-9EPD3AHG:

DC-DC converter, operating input voltage range 28 – 140 VDC, providing output 1 with 15 V/1.7 A and output 2 with 15 V /1.7 A; temperature range –40 to +71 °C, inrush current limitation, equipped with potentiometers, undervoltage monitor D3, test sockets, tested with higher voltage output to case, RoHS-compliant for all 6 substances.

Functional Description

The input voltage is fed via an input fuse, an input filter, a bridge rectifier, and an inrush current limiter to the input capacitor. This capacitor sources a single-transistor forward converter. Each output is powered by a separate secondary winding of the main transformer. The resultant voltages are rectified and their ripple smoothed by a power choke and an output filter. The main control circuit senses the main output voltage V_{o1} and generates, with respect to the maximum

admissible output currents, the control signal for the primary switching transistor. This signal is transferred to the primary side by a coupling transformer.

The auxiliary output voltages V_{o2} and V_{o3} are individually regulated by means of secondary switching transistors. Each auxiliary output's current is sensed using a current transformer. If one of the outputs is driven into current limit, the other outputs will reduce their output voltages as well, because all output currents are controlled by the same main control circuit.

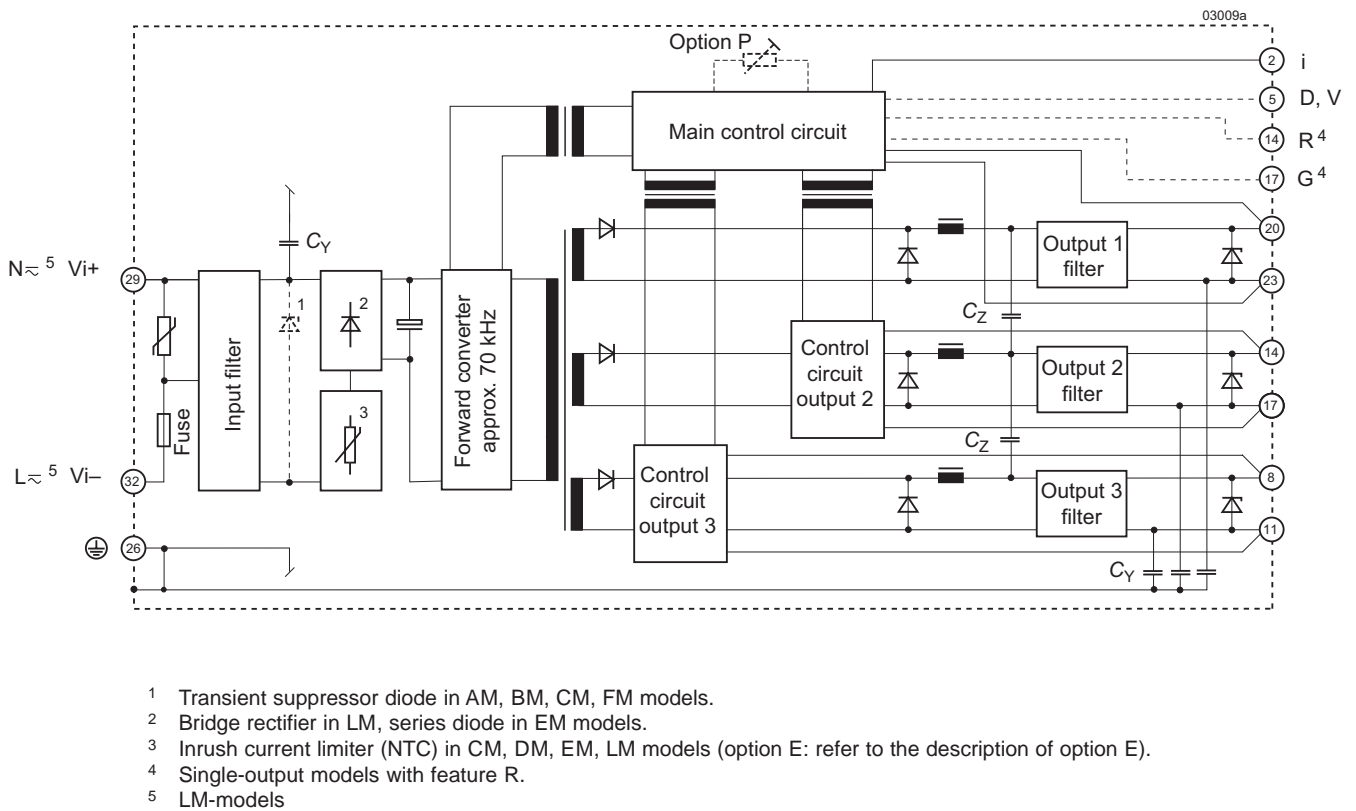


Fig. 1
Block diagram, triple-output models

Electrical Input Data

General conditions:

– $T_A = 25\text{ °C}$, unless T_C is specified.

– Connector pins 2 and 23 interconnected, R input not connected; with option P: $V_o = V_{o\text{ nom}}$

Table 2a: Input data

Input		Conditions	AM			BM			FM			CM			Unit
Characteristics			min	typ	max	min	typ	max	min	typ	max	min	typ	max	
V_i	Operating input voltage	$I_o = 0 - I_{o\text{ nom}}$	8		35	14		70	20		100	28		154 ⁷	VDC
$V_{i\text{ nom}}$	Nominal input voltage	$T_{C\text{ min}} - T_{C\text{ max}}$	15			30			50			60			
I_i	Input current	$V_{i\text{ nom}}, I_{o\text{ nom}}^2$	4.0			2.0			1.2			1.0			A
P_{i0}	No-load input power: – single-output models – double-output models – triple-output models	$V_{i\text{ nom}}$ $I_{o1,2,3} = 0$	1	1.5		1	1.5		1	1.5		1	1.5		W
$P_{i\text{ inh}}$	Idle input power	inhibited, $V_{i\text{ nom}}$	1	1.5		1	1.5		1	1.5		1	1.5		
$I_{i\text{ nr p}}^6$	Peak inrush current	$V_i = V_{i\text{ max}}$ $R_S = 0\ \Omega^3$ $T_C = 25\text{ °C}$	400			500			400			170 ⁴			A
$t_{i\text{ nr r}}$	Rise time	$T_C = 25\text{ °C}$	60			50			40			60			μs
$t_{i\text{ nr h}}$	Time to half-value		170			100			60			280			
R_i	Input resistance	$T_C = 25\text{ °C}$	87.5			140			250			824 ⁴			m Ω
C_i	Input capacitance		2600		4000	670		1100	370		600	370		600	μF
$V_{i\text{ abs}}$	Input voltage limits without any damage		0		40	0		80	0		120	0		160	VDC

Table 2b: Input data

Input		Conditions	DM			EM			LM			Unit
Characteristics			min	typ	max	min	typ	max	min	typ	max	
V_i	Operating input voltage	$I_o = 0 - I_{o\text{ nom}}$ $T_{C\text{ min}} - T_{C\text{ max}}$	-			-			85		264	VAC ¹
$V_{i\text{ nom}}$	Nominal input voltage		44		220	67		385	88		372	VDC
I_i	Input current	$V_{i\text{ nom}}, I_{o\text{ nom}}^2$	0.55			0.275			0.20			A
P_{i0}	No-load input power: – single-output models – double-output models – triple-output models	$V_{i\text{ nom}}$ $I_{o1,2,3} = 0$	1	1.5		1	1.5		1	1.5		W
$P_{i\text{ inh}}$	Idle input power	inhibited, $V_{i\text{ nom}}$	1	1.5		1	1.5		1	1.5		
$I_{i\text{ nr p}}^6$	Peak inrush current	$V_i = V_{i\text{ max}}$ $R_S = 0\ \Omega^3$ $T_C = 25\text{ °C}$	110 ⁴			160 ⁴			60 ⁴			A
$t_{i\text{ nr r}}$	Rise time	$T_C = 25\text{ °C}$	40			40			300			μs
$t_{i\text{ nr h}}$	Time to half-value		250			240			900			
R_i	Input resistance	$T_C = 25\text{ °C}$	2000 ⁴			2400 ⁴			6200 ⁴			m Ω
C_i	Input capacitance		140		270	140		270	140		270	μF
$V_{i\text{ abs}}$	Input voltage limits without any damage		0		400 ⁵	-400		400	-400		400	VDC
			-		-	-		-	0		† ↔ ↗	

¹ In AC powered mode (LM models): Nominal input voltage range: 100 – 240 VAC, operating input frequency range: 47 – 440 Hz

² With multiple-output models, the same condition for each output applies.

³ R_S = source resistance.

⁴ Value for initial switch-on cycle.

⁵ 1 s max., duty cycle 1% max.

⁶ $I_{i\text{ nr p}} = V_i / (R_S + R_i)$; see *Inrush Current*.

⁷ 140 V continuously. CM models with version V106 or greater (or with suffix /131) withstand 154 V for 2 s.

Input Fuse

A fuse holder containing a slow-blow type fuse (size: 5 × 20 mm) is mounted in the back plate of the converter. The fuse protects the converter against severe defects. It may not fully protect it at input voltages exceeding 200 VDC. In applications, where the converters operate at DC source voltages above 200 VDC, an external fuse or a circuit breaker at system level should be installed.

The fuse and a VDR form together with the input filter an effective protection against high input transients.

Note: For applications, where the fuse should not be accessible; see *Option F*.

Table 3: Fuse types (slow-blow)

Series	Schurter type	Part number
AM1000 – 3000	SPT 10 A /250 V	0001.2514
BM1000 – 3000	SPT 8 A /250 V	0001.2513
FM1000 – 3000	SPT 5 A /250 V	0001.2511
CM1000 – 3000	SPT 3.15 A /250 V	0001.2509
DM1000 – 3000 EM1000 – 3000 LM1000 – 3000	SPT 2.5 A /250 V	0001.2508

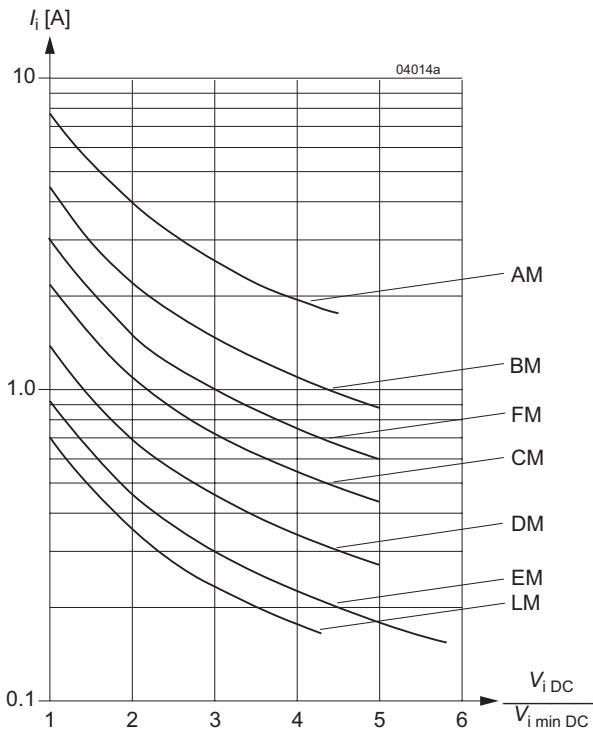


Fig. 2
 Typical input current versus relative input voltage at nominal output load

Input Under-/Overvoltage Lockout

If the input voltage remains below $0.8 V_{i\min}$ or exceeds approx. $1.1 V_{i\max}$, an internally generated inhibit signal disables the output(s). When checking this function the absolute maximum input voltage rating $V_{i\text{abs}}$ must be carefully considered (see table *Input data*).

Note: When V_i is between $V_{i\min}$ and the undervoltage lockout level, the output voltage may be below the value defined in table *Output data*.

Reverse Polarity

Reverse polarity at the input of AM, BM, CM, DM, and FM models will cause the fuse to blow. In EM and LM models a series diode will protect the converter. A series diode is not incorporated in AM, BM, CM, DM and FM types to avoid unwanted power losses.

Inrush Current

The CM, DM, EM, and LM (excluding FM) models incorporate an NTC resistor in the input line, which (during the initial switch-on cycle) limits the peak inrush current in order to prevent the connectors and external switching devices from damage. Subsequent switch-on cycles within a short interval will cause an increase of the peak inrush current due to the warming-up of the NTC resistor. Refer to *Option E* (only available for CM, EM, and LM).

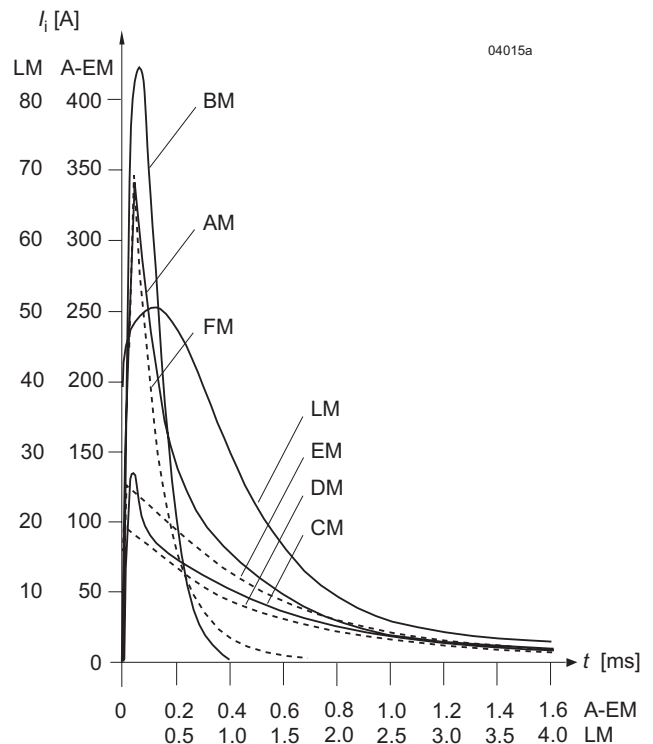


Fig. 3
 Typical inrush current at initial switch-on. $V_{i\max}$ (DC) and nominal output load

Electrical Output Data

General conditions

– $T_A = 25^\circ\text{C}$, unless T_C is specified.

– Connector pins 2 and 23 interconnected, R input not connected; with option P: $V_o = V_{o\text{ nom}}$

Table 4: Output data

Output		$V_{o\text{ nom}}$	5.1 V		12 V		15 V		24 V		48 V		Unit												
Characteristics		Conditions	min	typ	max	min	typ	max	min	typ	max	min	typ	max											
V_o	Output voltage	$V_{i\text{ nom}}, I_{o\text{ nom}}^1$	5.07		5.13	11.93		12.07	14.91		15.09	23.86		24.14	47.72		48.28	V							
$V_{o\text{ p}}$	Output overvoltage protection ⁵		7.5			21			25			41			85										
$I_{o\text{ nom}}$	Output current	$V_{i\text{ min}} - V_{i\text{ max}}$ $T_C\text{ min} - T_C\text{ max}$	see table 1 Model Selection																						
$I_{o\text{ L}}$	Output current limitation		see fig. 4 Typical voltage V_{o1} versus output currents I_o																						
v_o	Output voltage noise	Switch. freq.	$V_{i\text{ nom}}, I_{o\text{ nom}}^1$		15		30		25		50		35		70		40		80		50		100		mV _{pp}
		Total	IEC/EN 61204 BW = 20 MHz		60		120		40		80		40		80		40		80		-				
$\Delta V_{o\text{ v}}$	Static line regulation	$V_{i\text{ min}} - V_{i\text{ nom}}$ $V_{i\text{ nom}} - V_{i\text{ max}}$ $I_{o\text{ nom}}^1$	± 10		± 30		± 12		± 50		± 15		± 60		± 15		± 60		± 15		± 60		mV		
$\Delta V_{o\text{ l}}$	Static load regulation	$V_{i\text{ nom}}$ $I_{o\text{ nom}} - 0^2$	6		25		13		50		17		60		30		80		60		150				
$\Delta V_{o\text{ lc}}$	Static cross load regulation ⁴	$V_{i\text{ nom}}$ $I_{o\text{ nom}} - 0^3$	0		± 15		0		± 20		0		± 30		0		± 40		-						
$v_{o\text{ d}}$	Dynamic load regulation	Voltage deviation	$V_{i\text{ nom}}$		$I_{o\text{ nom}} \leftrightarrow 1/3 I_{o\text{ nom}}^2$		± 220		± 110		± 150		± 130		± 150										
$t_{d\text{ r}}$		Recovery time	IEC/EN 61204		0.6		0.6		0.5		1		2												ms
$v_{o\text{ dc}}$	Dynamic cross load regulation ⁴	Voltage deviation	$V_{i\text{ nom}}$		$I_{o\text{ nom}} \leftrightarrow 1/3 I_{o\text{ nom}}^3$		+10		-100		+10		-75		+10		-140		+20		-200		-		mV
$t_{d\text{ c}}$		Recovery time	IEC/EN 61204		0.05		0.5		0.2		0.3		0.5		0.7		1		2		-		-		ms
α_{V_o}	Temperature coefficient $\Delta V_o / \Delta T_C$	$V_{i\text{ min}} - V_{i\text{ max}}$ $0 - I_{o\text{ nom}}$	± 0.02		± 0.02		± 0.02		± 0.02		± 0.02		± 0.02		± 0.02		± 0.02		± 0.02		± 0.02		%/K		
			± 1.0		± 2.4		± 3.0		± 4.8		± 9.6														mV/K

¹ With multiple-output models, all outputs are loaded with the nominal current.

² Condition for specified output. With multiple-output models, other output(s) loaded with constant current $I_{o\text{ nom}}$. See fig. 5 Dynamic load regulation.

³ Condition for non-specified output, individually tested, other output(s) loaded with constant current $I_{o\text{ nom}}$. See fig. 5 Dynamic load regulation.

⁴ Multiple-output models.

⁵ By suppressor diode.

Output Characteristic and Protection

Each output is protected by a suppressor diode, which under worst case conditions may become a short circuit. The suppressor diodes are not designed to withstand externally applied overvoltages. Overload at any of the outputs will cause a shutdown of all outputs. A red LED indicates the overload condition of the respective output.

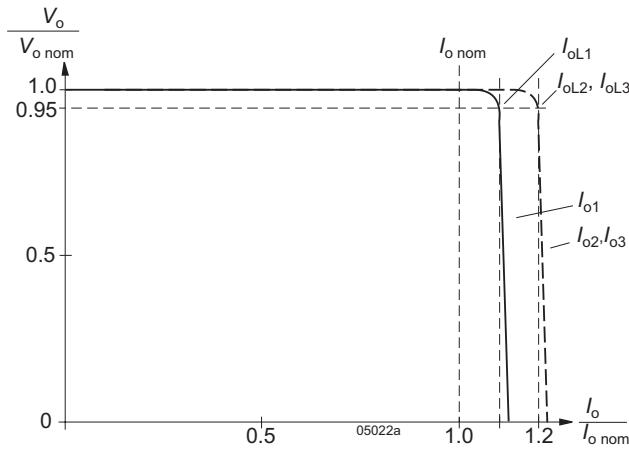


Fig. 4
Typical voltage V_o versus output currents I_o .

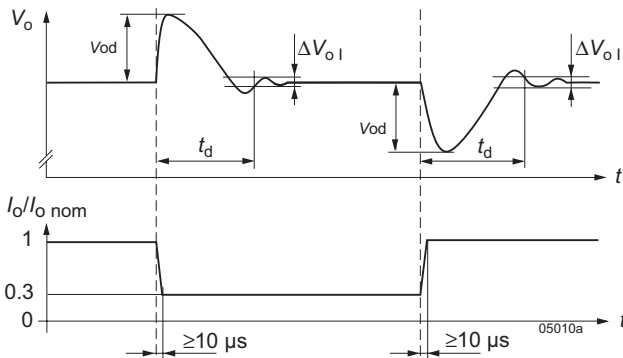


Fig. 5
Dynamic load regulation $V_{o,d}$ versus load change.

Thermal Considerations and Protection

If a converter is located in free, quasi-stationary air (convection cooling) at the indicated maximum ambient temperature $T_{A,max}$ (see table *Temperature specifications*) and is operated at its nominal input voltage and output power, the temperature measured at the measuring point of case temperature T_C (see *Mechanical Data*) will approach the indicated value $T_{C,max}$ after the warm-up phase. However, the relationship between T_A and T_C depends heavily on the conditions of operation and integration into a system. The thermal conditions are influenced by input voltage, output current, airflow, and

temperature of surrounding components and surfaces. $T_{A,max}$ is therefore, contrary to $T_{C,max}$, an indicative value only.

Caution: The installer must ensure that under all operating conditions T_C remains within the limits stated in the table *Temperature specifications*.

Notes: Sufficient forced cooling or an additional heat sink allow T_A to pass over 71 °C, if $T_{C,max}$ is not exceeded.

For -7 or -9 models at an ambient temperature T_A of 85 °C with only convection cooling, the maximum permissible current for each output is approx. 50% of its nominal value; see figure 6.

A temperature sensor generates an internal inhibit signal disabling the outputs, when the case temperature exceeds $T_{C,max}$. The outputs automatically recover, when the temperature drops below this limit.

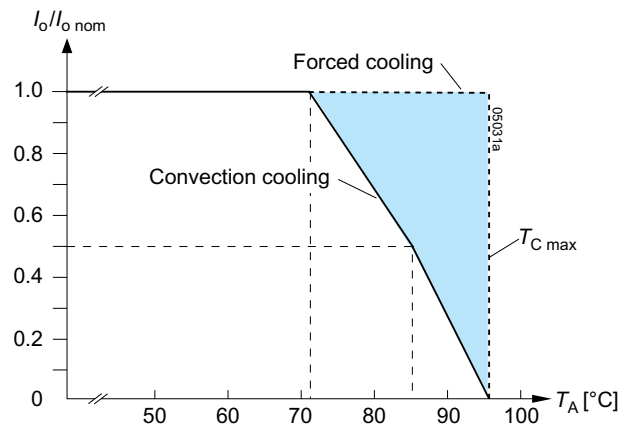


Fig. 6
Output current derating versus temperature

Parallel and Series Connection

Main outputs of equal nominal voltage can be connected in parallel. It is important to assure that the main output of a multiple-output converter is forced to supply a minimum current of 0.1 A to enable correct operation of its own auxiliary outputs.

In parallel operation, one or more of the main outputs may operate continuously in current limitation, causing an increase of the case temperature T_C . Consequently, a reduction of the max. ambient temperature by 10 K is recommended.

Main or auxiliary outputs can be connected in series with any other output of the same or another converter. In series connection, the maximum output current is limited by the lowest current limit. Output ripple and regulation values are added. Connection wiring should be kept as short as possible.

If output terminals are connected together in order to establish multi-voltage configurations, e.g., +5.1 V, ±12 V etc., the common-ground connecting point should be as close as possible to the connectors of the converter in order to avoid excessive output ripple voltages.

Note: Auxiliary outputs should never be connected in parallel!

Output Current Allocation for Special Models

Output currents differing from those given for standard models (see *Model Selection*) can be provided on request. A maximum output power of 50 W should be considered, if an ambient temperature range of -40 to 71 °C is required. The maximum permissible output currents are indicated in the table below. If

the output voltages are different from standard values, the relevant output currents have to be adapted accordingly.

With reduced maximum ambient temperature or with forced cooling, the total output power may exceed 50 W. Customized configurations always need to be checked by a feasibility study first. Please ask Power-One for more information.

Table 5: Current allocation with special models

Output voltage all types $V_{O1/2/3 \text{ nom}}$ [V]	Output 1 all types $I_{O1 \text{ max}}$ [A]	Output 2 AM – LM2000 $I_{O2 \text{ max}}$ [A]	Output 2 AM – LM3000 $I_{O2 \text{ max}}$ [A]	Output 3 AM – LM3000 $I_{O3 \text{ max}}$ [A]	Temperature		
					T_A [°C]	T_C [°C]	
5.1	8.0	4.0	1.8 (2.5 ¹)	1.5	-40 to 71	-25 to 95	
12	4.0	2.0	1.5	1.2			
15	3.4	1.7	1.2	1.0			
24	2.0	1.0	0.7	0.5			
2	5.1	10.0	4.5	2.1 (2.8 ¹)	1.8	-25 to 60	-25 to 90
	12	5.0	2.5	1.7	1.5		
	15	4.0	2.0	1.5	1.3		
	24	2.5	1.3	0.9	0.7		
	5.1	11.0	5.0	2.4 (3.0 ¹)	2.0	-25 to 50	-25 to 85
	12	6.0	3.0	2.0	1.7		
	15	4.6	2.3	1.7	1.5		
	24	3.0	1.5	1.0	0.8		

¹ Special high-current components required. ² $V_{i \text{ min}}$ has to be increased.

Hold-up Time and Output Response

When the input voltage is switched off, the output voltage will remain high for a certain hold-up time t_h (see fig. 7) before the output voltage falls below $0.95 V_{O \text{ nom}}$. To achieve the hold-up times indicated in fig. 8, AM, BM, CM, DM, and FM models require an external series diode in the input line. This is necessary to prevent the discharge of the input capacitor through the source impedance or other circuits connected to the same source. EM and LM models have a built-in series diode. In AM, BM, CM, DM, and FM models, no series diode is built-in, since it would generate additional power losses inside the converter.

Note: For hold-up time with option V, refer to *Option V*.

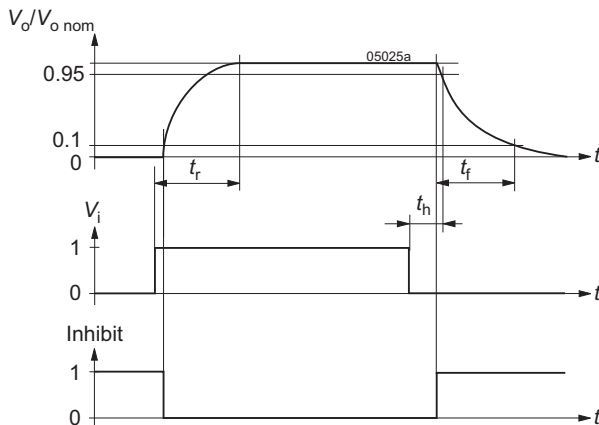


Fig. 7
Output response times versus V_i or inhibit control

The behavior of the outputs is similar with either the input voltage applied or the inhibit switched low.

No output voltage overshoot occurs, when the converter is turned on or off.

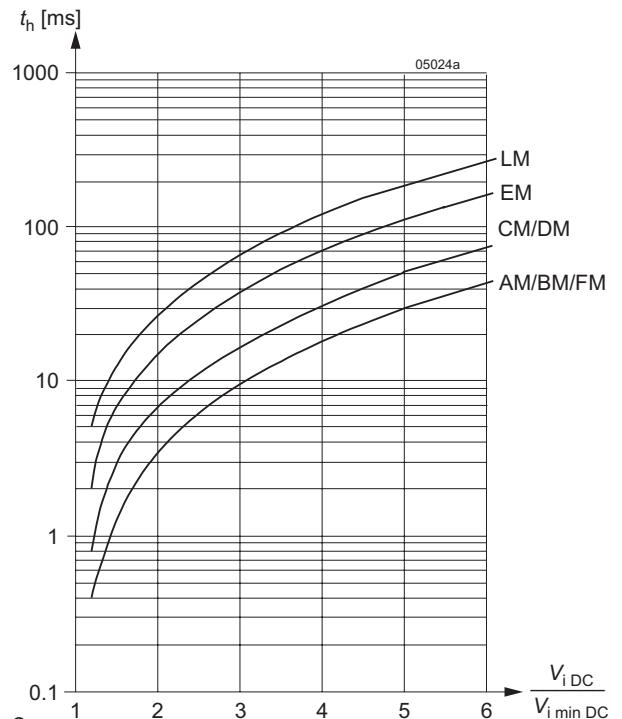


Fig. 8
Typical hold-up time t_h versus input voltage at $I_{O \text{ nom}}$

Table 6: Output response time t_r and t_f (see fig. 7). Values not applicable for models equipped with option E.

Type of converter	t_r at $P_o = 0$ and t_f at $P_o = P_{o\ nom}$		t_r and t_f at $P_o = 3/4 P_{o\ nom}$		t_r at $P_o = P_{o\ nom}$		Unit
	typ	max	typ	max	typ	max	
AM – LM1001-9R	5	10	5	10	10	20	ms
AM – LM1301-9R	10	20	15	30	20	40	
AM – LM1501-9R	5	10	10	20	30	60	
AM – LM1601-9R	15	30	25	50	40	80	
AM – LM1901-9R	65	130	100	200	165	330	
AM – LM2320-9	20	40	30	60	50	100	
AM – LM2540-9	15	30	20	40	35	70	
AM – LM3020-9	55	110	85	170	145	290	
AM – LM3040-9	40	80	60	120	100	200	

Conditions:

R input not connected. For multiple-output models the figures indicated in the table relate to the output, which reacts slowest. All outputs are resistively loaded. Variation of the input voltage within $V_{i\ min} - V_{i\ max}$ does not influence the values considerably.

Auxiliary Functions

Inhibit

The outputs of the converters may be enabled or disabled by means of a logic signal (TTL, CMOS, etc.) applied between the inhibit input i and the negative pin of output 1 (V_{o1-}). In systems with several converters, this feature can be used, for example, to control the activation sequence of the converters. If the inhibit function is not required, connect the inhibit pin 2 to pin 23 to enable the outputs (active low logic, fail safe). The response times are specified in table 6.

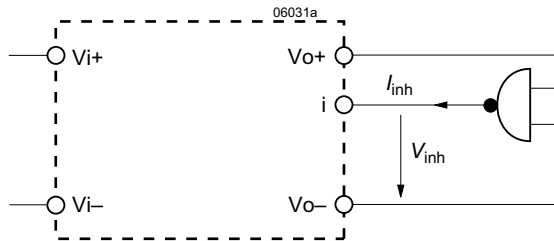


Fig. 9

Definition of V_{inh} and I_{inh} .

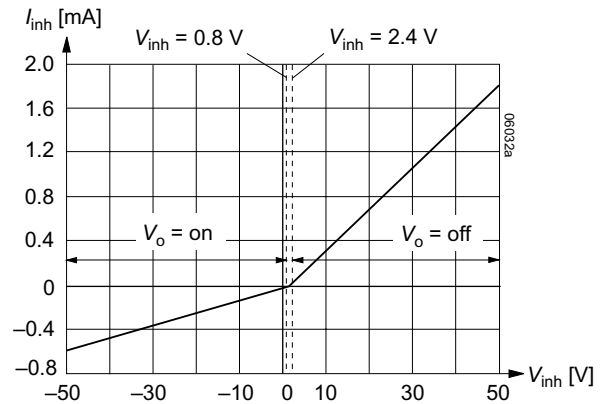


Fig. 10

Typical inhibit current I_{inh} versus inhibit voltage V_{inh}

Table 7: Inhibit data

Characteristics		Conditions	min	typ	max	Unit
V_{inh}	Inhibit input voltage to keep output voltage	$V_o = \text{on}$	-50		0.8	V
		$V_o = \text{off}$			2.4	
I_{inh}	Inhibit current	$V_{inh} = 0$	-60	-100	-220	μA

R-Control for Output Voltage Adjustment

As a standard feature, single-output models without option P offer an adjustable output voltage identified by letter R in the type designation.

Note: With open R input, $V_o = V_{o\ nom}$.

The output voltage V_o can either be adjusted by an external voltage (V_{ext}) or by an external resistor (R_{ext1} or R_{ext2}). The adjustment range is approximative 0 – 110% of $V_{o\ nom}$. For output voltages $V_o > V_{o\ nom}$, the minimum input voltage $V_{i\ min}$ specified in *Electrical Input Data* increases proportionally to $V_o/V_{o\ nom}$.

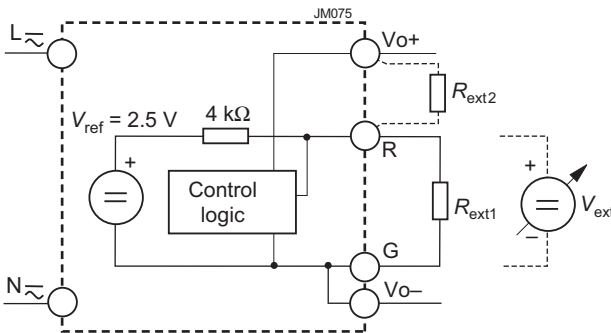


Fig. 11
Output voltage adjustment

a) Adjustment by means of an external resistor R_{ext} . Depending upon the value of the required output voltage, the resistor shall be connected:

either: Between the R and G pin to achieve an output voltage adjustment range of $V_o \approx 0$ to 100 % of $V_{o\ nom}$.

$$R_{ext1} \approx 4\text{ k}\Omega \cdot \frac{V_o}{V_{o\ nom} - V_o}$$

or: Between the R pin and V_{o+} to achieve an output voltage range of $V_o \approx 100$ to 110% of $V_{o\ nom}$.

$$R_{ext2} \approx 4\text{ k}\Omega \cdot \frac{(V_o - 2.5\text{ V})}{2.5\text{ V} \cdot (V_o/V_{o\ nom} - 1)}$$

Caution: To prevent damage, R_{ext2} should never be less than 47 k Ω .

Note: R inputs of n converters with paralleled outputs may be paralleled too, but if only one external resistor is used, its value should be R_{ext1}/n or R_{ext2}/n respectively.

b) Adjustment by means of an external control voltage V_{ext} between G and R pin.

The control voltage range is 0 to 2.75 V and allows for adjustment in the range of $V_o \approx 0$ to 110% of $V_{o\ nom}$.

$$V_{ext} \approx \frac{V_o \cdot 2.5\text{ V}}{V_{o\ nom}}$$

Caution: The external control voltage should be in the range 0 to +3 V to prevent the converter from damage.

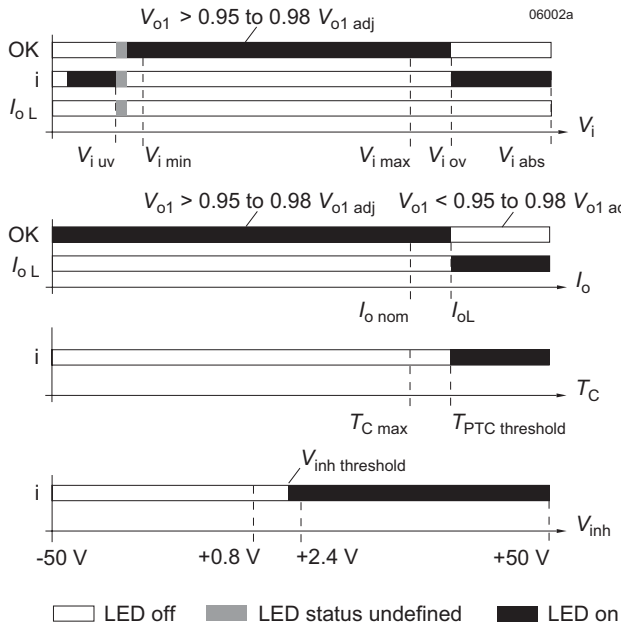
Table 8a: R_{ext1} for $V_o < V_{o\ nom}$ (conditions: $V_{i\ nom}$, $I_{o\ nom}$, rounded up to resistor values E 96, R_{ext2} is not fitted)

$V_{o\ nom} = 5.1\text{ V}$		$V_{o\ nom} = 12\text{ V}$		$V_{o\ nom} = 15\text{ V}$		$V_{o\ nom} = 24\text{ V}$		$V_{o\ nom} = 48\text{ V}$	
V_o [V]	R_{ext1} [kW]	V_o [V]	R_{ext1} [kW]	V_o [V]	R_{ext1} [kW]	V_o [V]	R_{ext1} [kW]	V_o [V]	R_{ext1} [kW]
0.5	0.432	2.0	0.806	2.0	0.619	4.0	0.806	8.0	0.806
1.0	0.976	3.0	1.33	4.0	1.47	6.0	1.33	12.0	1.33
1.5	1.65	4.0	2.0	6.0	2.67	8.0	2.0	16.0	2.0
2.0	2.61	5.0	2.87	8.0	4.53	10.0	2.87	20.0	2.87
2.5	3.83	6.0	4.02	9.0	6.04	12.0	4.02	24.0	4.02
3.0	5.76	7.0	5.62	10.0	8.06	14.0	5.62	28.0	5.62
3.5	8.66	8.0	8.06	11.0	11.0	16.0	8.06	32.0	8.06
4.0	14.7	9.0	12.1	12.0	16.2	18.0	12.1	36.0	12.1
4.5	30.1	10.0	20.0	13.0	26.1	20.0	20.0	40.0	20.0
5.0	200.0	11.0	44.2	14.0	56.2	22.0	44.2	44.0	44.2

Table 8b: R_{ext2} for $V_o > V_{o\ nom}$ (conditions: $V_{i\ nom}$, $I_{o\ nom}$, rounded up to resistor values E 96, R_{ext1} is not fitted)

$V_{o\ nom} = 5.1\text{ V}$		$V_{o\ nom} = 12\text{ V}$		$V_{o\ nom} = 15\text{ V}$		$V_{o\ nom} = 24\text{ V}$		$V_{o\ nom} = 48\text{ V}$	
V_o [V]	R_{ext2} [kW]	V_o [V]	R_{ext2} [kW]	V_o [V]	R_{ext2} [kW]	V_o [V]	R_{ext2} [kW]	V_o [V]	R_{ext2} [kW]
5.15	464	12.1	1780	15.2	1470	24.25	3160	48.5	6810
5.20	215	12.2	909	15.4	750	24.50	1620	49.0	3480
5.25	147	12.3	619	15.6	511	24.75	1100	49.5	2370
5.30	110	12.4	464	15.8	383	25.00	825	50.0	1780
5.35	90.9	12.5	383	16.0	332	25.25	715	50.5	1470
5.40	78.7	12.6	316	16.2	274	25.50	590	51.0	1270
5.45	68.1	12.7	274	16.4	237	25.75	511	51.5	1100
5.50	61.9	12.8	249	16.5	226	26.00	453	52.0	953
		13.0	200			26.25	402	52.5	845
		13.2	169			26.40	383	52.8	806

Display Status of LEDs



LEDs "OK" and "i" status versus input voltage V_i

Conditions: $I_o \leq I_{o\ nom}$, $T_c \leq T_{c\ max}$, $V_{inh} \leq 0.8\ V$

LED "OK" and " I_{oL} " status versus output current I_o

Conditions: $V_{i\ min} - V_{i\ max}$, $T_c \leq T_{c\ max}$, $V_{inh} \leq 0.8\ V$

LED "i" versus case temperature

Conditions: $V_{i\ min} - V_{i\ max}$, $I_o \leq I_{o\ nom}$, $V_{inh} \leq 0.8\ V$

LED "i" versus V_{inh}

Conditions: $V_{i\ min} - V_{i\ max}$, $I_o \leq I_{o\ nom}$, $T_c \leq T_{c\ max}$

Fig. 12

Status of LEDs.

$V_{i\ uv}$ = undervoltage lockout, $V_{i\ ov}$ = overvoltage lockout

Electromagnetic Compatibility (EMC)

A suppressor diode or a metal oxide VDR (depending upon converter model) together with an input fuse and an input filter

form an effective protection against high input transient voltages, which typically occur in most installations, but especially in battery-driven mobile applications. The M Series has been successfully tested to the following specifications:

Electromagnetic Immunity

Table 9: Immunity type tests

Phenomenon	Standard	Level	Coupling mode ¹	Value applied	Waveform	Source imped.	Test procedure	In oper.	Perf. crit. ²
Supply related surges	RIA 12 ³	A ⁴	+i/-i	3.5 • V _{batt}	2/20/2 ms	0.2 Ω	1 positive surge	yes	A
		B		1.5 • V _{batt}	0.1/1/0.1 s				
Direct transients		C	-i/c, +i/-i	960 V _p	10/100 μs	5 Ω	5 pos. and 5 neg. impulses	yes	A
		D ³		1800 V _p	5/50 μs				
		E		3600 V _p	0.5/5 μs	100 Ω			
		F		4800 V _p	0.1/1 μs				
		G		8400 V _p	0.05/0.1 μs				
Indirect coupled transients		H	-o/c, +o/-o, -o/-i	1800 V _p	5/50 μs				
		J		3600 V _p	0.5/5 μs				
		K		4800 V _p	0.1/1 μs				
	L	8400 V _p		0.05/0.1 μs					
Electrostatic discharge (to case)	IEC/EN 61000-4-2	4 ⁵	contact discharge	±8000 V _p	1/50 ns	330 Ω 150 pF	10 positive and 10 negative discharges	yes	A
			air discharge	±15000 V _p					
Electromagnetic field	IEC/EN 61000-4-3	x ⁶	antenna	20 V/m	AM 80% 1 kHz	n.a.	80 to 1000 MHz	yes	A ¹¹
Electromagnetic field, pulse modulated	ENV 50204	4 ⁷		30 V/m	50% duty cycle, 200 Hz repetition frequency		900 ±5 MHz	yes	A
Electrical fast transient/burst	IEC/EN 61000-4-4	3 ⁸	capacitive, o/c	±2000 V _p	bursts of 5/50 ns 2.5/5 kHz over 15 ms; burst period: 300 ms	50 Ω	60 s positive 60 s negative transients per coupling mode	yes	A ¹¹
		3 ⁸	direct, i/c, +i/-i	±2000 V _p					
		4		±4000 V _p					
Surge	IEC/EN 61000-4-5	3 ⁹	i/c	2000 V _p	1.2/50 μs	12 Ω	5 pos. and 5 neg. surges per	yes	A
			+i/-i	1000 V _p		2 Ω			
Conducted disturbances	IEC/EN 61000-4-6	3 ¹⁰	i, o, signal wires	10 VAC (140 dBμV)	AM 80% 1 kHz	150 Ω	0.15 to 80 MHz	yes	A

¹ i = input, o = output, c = case

² A = normal operation, no deviation from specs.; B = normal operation, temporary loss of function or deviation from specs possible

³ RIA 12 covers or exceeds IEC 60571-1 and EN 50155:1995. Surge D corresponds to EN 50155:2001, waveform A; surge G corresponds to EN 50155:2001, waveform B.

⁴ Only met with EM (110 V battery) and extended input range models (customer-specific) of BM (24 V battery) and CM (48 V battery). Standard DK models (72 V battery) are not damaged, but overvoltage lockout will occur during the surge.

⁵ Exceeds EN 50121-3-2:2006 table 9.3 and EN 50121-4:2006 table 1.4.

⁶ Corresponds to EN 50121-3-2:2006 table 9.1 and exceeds EN 50121-4:2006 table 1.1. Valid for version V104 or higher.

⁷ Compliance with digital mobile phones.

⁸ Corresponds to EN 50121-3-2:2006 table 7.2 and EN 50121-4:2006 table 2.2.

⁹ Covers or exceeds EN 50121-3-2:2006 table 7.3 and EN 50121-4:2006 table 2.3.

¹⁰ Corresponds to EN 50121-3-2:2006 table 7.1 and EN 50121-4:2006 table 3.1 (radio frequency common mode).

¹¹ Perf. criterion B for triple-output models.

Electromagnetic Emissions

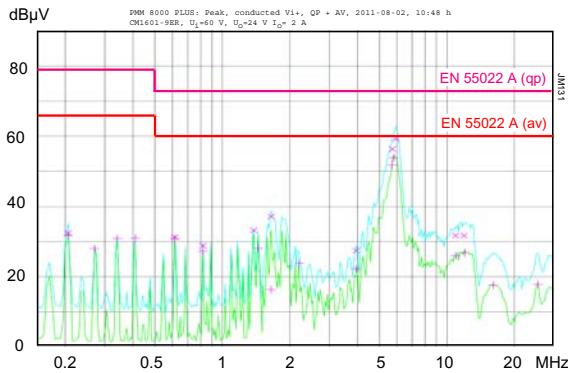


Fig. 13a
Typ. conducted disturbances at the input (quasi-peak and average) of CM1601-9ER according to IEC/EN 55011/22, measured at $V_i = 60$ VDC and $I_{o\ nom}$.

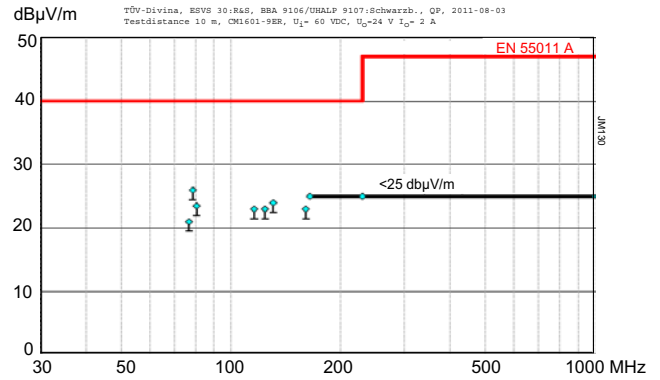


Fig. 14a
Typical radiated emissions of CM1601-9ER according to IEC/EN 55011/22, normalized to a distance of 10 m, measured at $V_i = 60$ VDC and $I_{o\ nom}$.

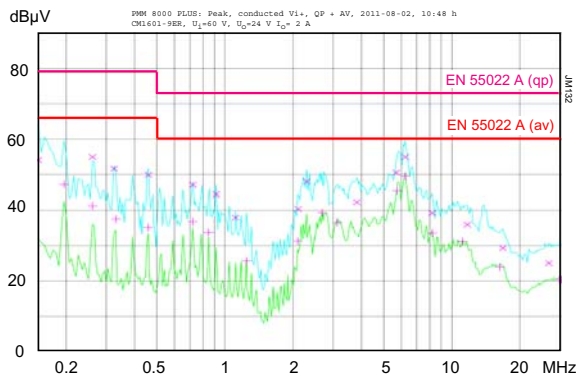


Fig. 13b
Typ. conducted disturbances at the input (quasi-peak and average) of LM1601-9R according to IEC/EN 55011/22, measured at $V_i = 230$ VAC and $I_{o\ nom}$.

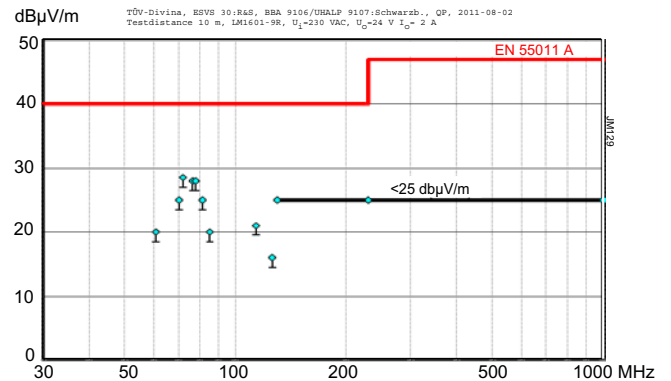


Fig. 14b
Typical radiated emissions of LM1601-9R according to IEC/EN 55011/22, normalized to a distance of 10 m, measured at $V_i = 230$ VAC and $I_{o\ nom}$.

Immunity to Environmental Conditions

Table 10: Mechanical and climatic stress

Test method		Standard	Test conditions		Status
Cab	Damp heat steady state	IEC/EN 60068-2-78 MIL-STD-810D section 507.2	Temperature: Relative humidity: Duration:	40 ±2 °C 93 +2/-3 % 56 days	Converter not operating
Ea	Shock (half-sinusoidal)	IEC/EN 60068-2-27 MIL-STD-810D section 516.3	Acceleration amplitude: Bump duration: Number of bumps:	100 g _n = 981 m/s ² 6 ms 18 (3 each direction)	Converter operating
Eb	Bump (half-sinusoidal)	IEC/EN 60068-2-29 MIL-STD-810D section 516.3	Acceleration amplitude: Bump duration: Number of bumps:	40 g _n = 392 m/s ² 6 ms 6000 (1000 each direction)	Converter operating
Fc	Vibration (sinusoidal)	IEC/EN 60068-2-6 MIL-STD-810D section 514.3	Acceleration amplitude: Frequency (1 Oct/min): Test duration:	0.35 mm (10 – 60 Hz) 5 g _n = 49 m/s ² (60 – 2000 Hz) 10 – 2000 Hz 7.5 h (2.5 h each axis)	Converter operating
Fda	Random vibration wide band Reproducibility high	IEC 60068-2-35 DIN 40046 part 23	Acceleration spectral density: Frequency band: Acceleration magnitude: Test duration:	0.05 g _n ² /Hz 20 – 500 Hz 4.9 g _{n,rms} 3 h (1 h each axis)	Converter operating
Kb	Salt mist, cyclic (sodium chloride NaCl solution)	IEC/EN 60068-2-52	Concentration: Duration: Storage: Storage duration: Number of cycles:	5% (30 °C) 2 h per cycle 40°C, 93% rel. humidity 22 h per cycle 3	Converter not operating
--	Shock	EN 50155:2007 clause 12.2.11, EN 61373 sect. 10, class B, body mounted ¹	Acceleration amplitude: Bump duration: Number of bumps:	5.1 g _n 30 ms 18 (3 in each direction)	Converter operating
--	Simulated long life testing at increased random vibration levels	EN 50155:2007 clause 12.2.11, EN 61373 sect. 8 and 9, class B, body mounted ¹	Acceleration spectral density: Frequency band: Acceleration magnitude: Test duration:	0.02 g _n ² / Hz 5 – 150 Hz 0.8 g _{n,rms} 15 h (5 h in each axis)	Converter operating

Temperatures

Table 11: Temperature specifications, valid for an air pressure of 800 – 1200 hPa (800 – 1200 mbar)

Temperature		-7 (option)		-9 (standard)		Unit	
Characteristics	Conditions	min	max	min	max		
T _A	Ambient temperature	Operational	-25	71	-40	71	°C
T _C	Case temperature		-25	95	-40	95	
T _S	Storage temperature	Non operational	-40	100	-55	100	

Reliability

Table 12: MTBF

Values at specified case temperature	Converter model	Ground benign 40 °C		Ground fixed 40 °C 70 °C		Ground mobile 50 °C	Unit
MTBF ¹	AM – LM1000	320 000		130 000	40 000	35 000	h
	AM – LM2000	225 000		105 000	32 000	28 000	
	AM – LM3000	225 000		80 000	28 000	25 000	
Device hours ²	AM – LM1000 AM – LM2000 AM – LM3000			880 000 720 000 740 000			

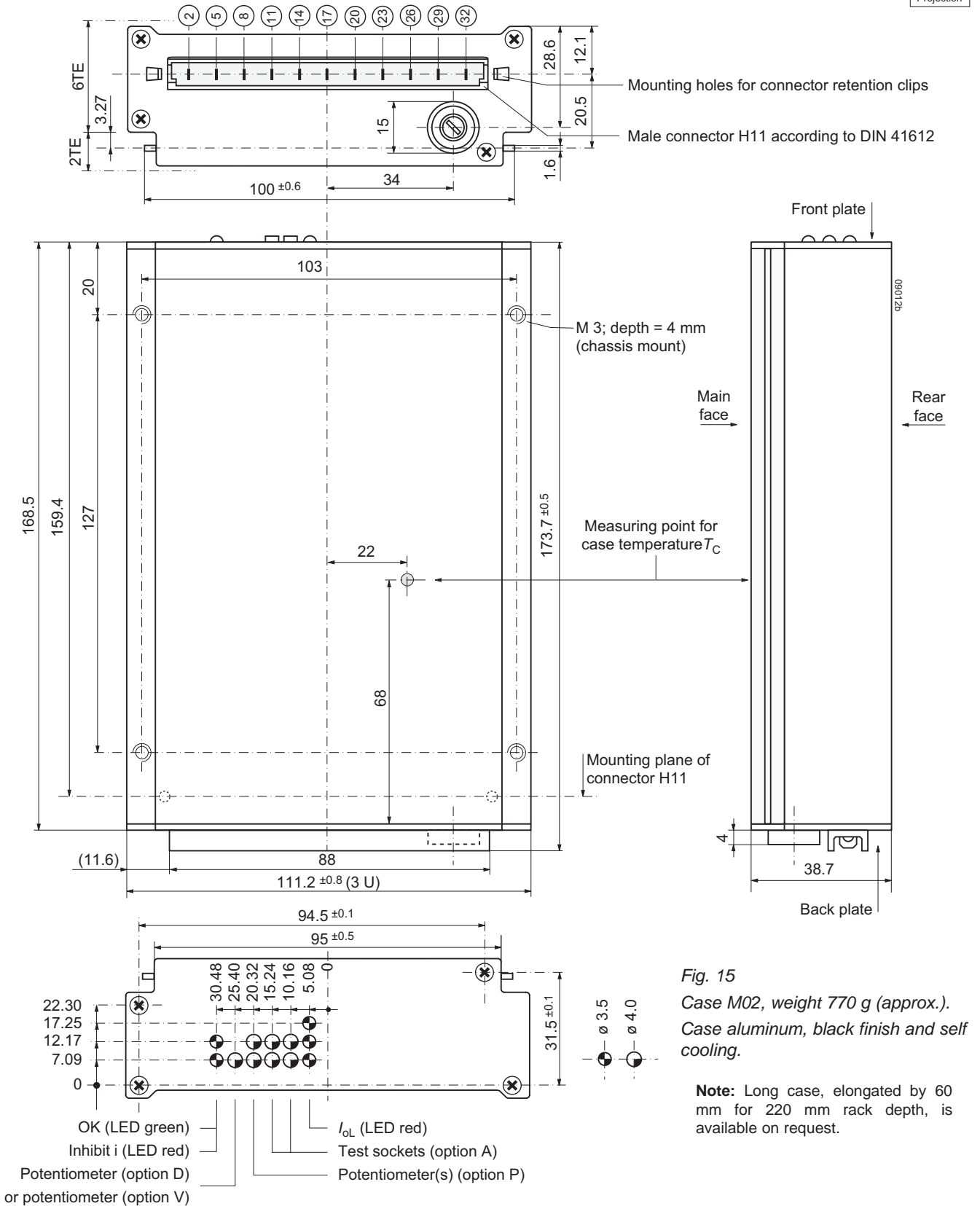
¹ Calculated in accordance with MIL-HDBK-217E

² Statistical values, based on an average of 4300 working hours per year in general field use over 3 years



Mechanical Data

Dimensions in mm.



Safety and Installation Instructions

Connector Pin Allocation

Pin no. 26 (protective earth) is a leading pin, ensuring that it makes contact with the female connector first.

Table 13: Pin allocation

Electrical determination	AM – LM1000		AM – LM2000		AM – LM3000	
	Pin	Ident	Pin	Ident	Pin	Ident
Inhibit	2	i	2	i	2	i
Safe Data or ACFAIL	5 ⁵	D or V	5 ⁵	D or V	5 ⁵	D or V
Output voltage (positive)	8	Vo+	8	n.c.	8	Vo3+
Output voltage (negative)	11	Vo-	11	n.c.	11	Vo3-
Voltage adjust	14	R ¹				
Adjust return	17	G ¹				
Output voltage (positive)			14	Vo2+	14	Vo2+
Output voltage (negative)			17	Vo2-	17	Vo2-
Output voltage (positive)	20	Vo+	20	Vo1+	20	Vo1+
Output voltage (negative)	23	Vo-	23	Vo1-	23	Vo1-
Protective earthing PE ²	26	⊕	26	⊕	26	⊕
DC input voltage ³	29	Vi+	29	Vi+	29	Vi+
DC input voltage	32	Vi-	32	Vi-	32	Vi-
AC input voltage ⁴	29	N _~	29	N _~	29	N _~
AC input voltage	32	L _~	32	L _~	32	L _~

¹ Not connected if option P is fitted

² Leading pin

³ AM, BM, CM, DM, EM, and FM models

⁴ LM models

⁵ Not connected if option neither option D or V is fitted

Installation Instructions

All M Series converters are components, intended exclusively for inclusion within other equipment by professional installers. Installation must strictly follow the national safety regulations in compliance with the enclosure, mounting, creepage, clearance, casualty, markings and segregation requirements of the end-use application.

Connection to the system shall be made via the female connector H11. Other installation methods may not meet the safety requirements.

The converters are provided with the leading pin 26 (⊕), which is reliably connected with the case. For safety reasons, it is essential to connect pin 26 with the protective earth of the supply system.

An input fuse is connected in the line to pin 32 (Vi- or L_~). Since this fuse is designed to protect the converter in case of an overcurrent and does not necessarily cover all customer needs, an external fuse suitable for the application and in compliance with the local requirements may be necessary in the wiring to one or both input pins (no. 29 and/or no. 32), particularly if the phase or neutral line cannot be assigned to the corresponding terminals (LM models operated with AC).

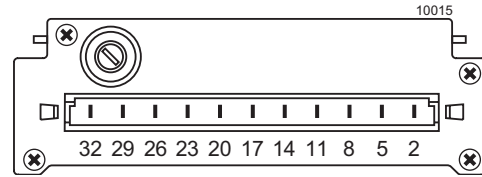


Fig. 16

View of male H11 connector.

Important: Whenever the inhibit function is not in use, pin 2 (i) should be connected to pin 23 (Vo-) to enable the output(s).

Caution: Do not open the converters, or warranty will be invalidated.

Make sure that there is sufficient air flow possible for convection cooling. This should be verified by measuring the case temperature T_C , when the converter is installed and operated in the end-use application. The maximum specified case temperature $T_{C\max}$ shall not be exceeded. See also *Thermal Considerations*.

Operation of LM Models at Greater than 63 Hz

In such a case, the converters may exceed the leakage current of 3.5 mA imposed in the safety standards. A warning marking is required in the end-use product.

Protection Degree and Cleaning Liquids

Condition: Female connector fitted to the converter.

IP 40: All models, except those with options P or A, and except those with option D/V with potentiometer.

IP 30: All models fitted with options A or option D/V without potentiometer.

IP 20: All models fitted with option P or with option D/V with potentiometer.

In order to avoid possible damage, any penetration of liquids (e.g., cleaning fluids) has to be avoided.

Railway Applications

The M Series converters have been designed observing the railway standards EN 50155 and EN 50121. All boards are coated with a protection lacquer.

Standards and Approvals

The converters correspond to class I equipment and have been approved according to the standards IEC/EN 60950-1 and UL/CSA 60950-1 2nd Ed.

The converters have been evaluated for:

- Class I equipment
- Building in
- Basic insulation between input and case and double or reinforced insulation between input and output, based on the input voltage of 250 VAC or 400 VDC

Table 14: Isolation

Characteristic		Input to case and output(s)	Output(s) to case (standard)	Output(s) to case (option H)	Output to output	Unit
Electric strength test	Factory test >1 s	2.8 ¹	1.4	2.8	0.3	kVDC
	AC test voltage equivalent to factory test	2.0	1.0	2.0	0.2	kVAC
Insulation resistance at 500 VDC		>300	>300	>300	>100 ²	MΩ
Creepage distances		≥ 3.2 ³	--	--	--	mm

¹ According to IEC/EN 60950, subassemblies connecting input to output are pre-tested with 5.6 kVDC or 4 kVAC.

² Tested at 300 VDC

³ Input to outputs: ≥6.4 mm

- Functional insulation between output(s) and case
- Functional insulation between the outputs
- Pollution degree 2 environment
- Overvoltage category II
- Altitude up to 2000 m

The converters are subject to manufacturing surveillance in accordance with the above mentioned standards and with ISO 9001:2008.

Isolation

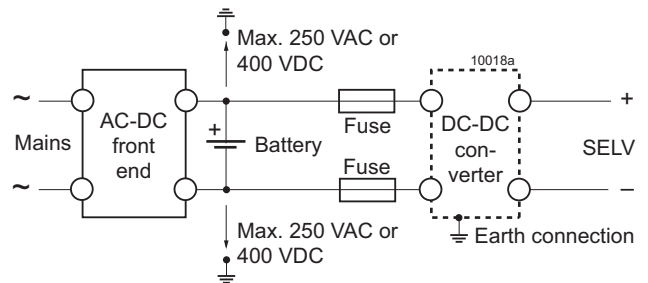
The electric strength test is performed in the factory as routine test in accordance with EN 50514 and IEC/EN 60950. The company will not honor any warranty claims resulting from incorrectly executed electric strength field tests.

Safety of Operator-Accessible Output Circuits

If the output circuit of a DC-DC converter is operator-accessible, it shall be an SELV circuit according to the IEC/EN 60950 safety standards.

Since the M Series converters provide double or reinforced insulation between input and output based upon a rated primary input voltage of 250 VAC or 400 VDC, only functional insulation is needed between the AC mains and the input of the converter. Only voltage adaption and rectification to the specified input voltage range of a DC/DC converter is needed.

Table 15 shows a possible installation configuration, compliance with which causes the output circuit of the DC-DC converter to be an SELV circuit according to IEC/EN 60950 up to a configured output voltage (sum of nominal voltages if in series or +/- configuration) of 48 V. However, it is the sole responsibility of the installer to assure the compliance with the relevant and applicable safety regulations.


Fig. 17

Schematic safety concept

Table 15: Safety concept leading to an SELV output circuit

Conditions	Front end			DC-DC converter		Result
Nominal supply voltage	Minimum required grade of insulation, to be provided by the AC-DC front end, including mains supplied battery charger	Maximum rated DC output voltage from the front end	Minimum required safety status of the front end output circuit	Equipment	Measures to achieve the specified safety status of the output circuit	Safety status of the DC-DC converter output circuit
Mains 250 VAC	Operational (i.e. there is no need for electrical isolation between the mains supply voltage and the DC-DC converter input voltage)	400 VDC ¹ (The rated voltage between any input pin and earth can be up to 250 VAC or 400 VDC.)	Primary circuit	A – LM	Double or reinforced insulation, based on 250 VAC and 400 VDC (provided by the DC-DC converter) and earthed case ²	SELV circuit

¹ The front end output voltage should match the specified operating input voltage range of the DC-DC converter.

² The earth connection has to be provided by the installer according to the safety standard IEC/EN 60950.

Description of Options

Table 16: Survey of options

Option	Function of option	Characteristic
-7	Former standard operational ambient temperature range	$T_A = -25$ to 71°C
A	Test sockets at front panel for check of output voltage	V_o internally measured at the connector terminals
E	Electronic inrush current limitation circuitry	Active inrush current limitation, only for CM, EM, LM models
P ¹	Potentiometer for fine adjustment of output voltage	Adjustment range $\pm 5\%$ of $V_{o,nom}$, excludes R input
F	Input fuse built-in	Fuse not externally accessible, only for FM1000
H	Enhanced output to case electric strength test voltage	See table <i>Isolation</i>
D ²	Input and/or output undervoltage monitoring circuitry	Safe data signal output (D0 – D9)
V ^{2,3}	Input and/or output undervoltage monitoring circuitry	ACFAIL signal according to VME specifications (V0, V2, V3)
K	Coding strip at the connector	Ensuring correct population of DIN-racks
G	RoHS	RoHS-compatible for all six substances

¹ Models equipped with option P do not provide the R function; pins 14 and 17 are not connected.

² Option D excludes option V and vice versa.

³ Only available if main output voltage $V_{o1} = 5.1$ V

Table 17: Configuration of option A and option P

Type of option	AM – LM1000		AM – LM2000		AM – LM3000		
	Output 1	Output 2	Output 1	Output 2	Output 1	Output 2	Output 3
Potentiometer ¹	yes	yes	yes	yes	yes	no	no
Test sockets	yes	yes	yes	yes	yes	no	no

¹ Models equipped with option P do not provide the R function; pins 14 and 17 are not connected.

-7 Former Standard Temperature Range

Option -7 stays for the operational ambient temperature range from -25 to 71°C , which may be preferred by some customers for reasons of documentation or approvals.

A Test Sockets

Test sockets (pin $\varnothing = 2$ mm, distance $d = 5.08$ mm) are located at the front of the converter. The output voltage is sensed at the connector pins inside of the converter. Outputs 2 and 3 of triple-output models are not sensed.

P Potentiometer

Built-in multi-turn potentiometers provide an output voltage adjustment range of minimum $\pm 5\%$ of $V_{o,nom}$ and are accessible through holes in the front cover. Compensation of voltage drop across connector and wiring becomes easily achievable. For output voltages $V_o > V_{o,nom}$, the minimum input voltage according to *Electrical Input Data* increases proportionally to $V_o/V_{o,nom}$. Triple-output models allow only the adjustment of V_{o1} .

Note: Potentiometers are not recommended for mobile applications.

E Electronic Inrush Current Limitation

Available for CM, EM and LM models.

The standard version of the models CM, DM, EM and LM include a passive inrush current limitation with an NTC resistor.

For applications requiring an improved inrush current limitation, an active electronic circuit as shown in fig.18 has been developed. Typical inrush current waveforms of units equipped with this option are shown below.

CM models meet the CEPT/ETSI standards for 48 V supply voltage according to ETS 300132-2, if fitted with option E combined with option D6 (input voltage monitoring). Option D6, externally adjustable via potentiometer, is necessary to disable the converter at input voltages below the actual service ranges, avoiding an excessive input current when the input voltage is raised slowly according to ETS 300132-2. Option D6 threshold level $V_{ti} + V_{hi}$ (refer to description of option D) should be adjusted to 36 – 40.5 V for 48 V nominal supply voltage (for 60 V systems, threshold should be set to 44 – 50 V). The D output (pin 5) should be connected to the inhibit (pin 2). For applications, where potentiometers are not allowed, refer to option D9.

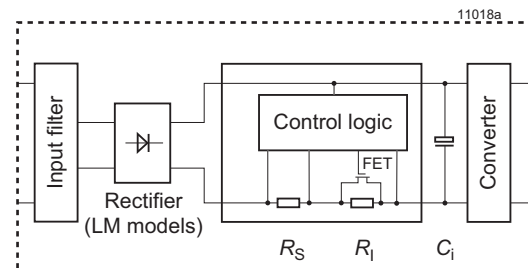
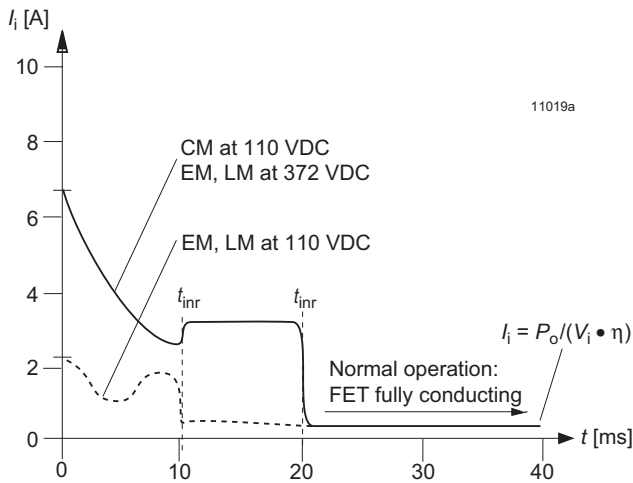


Fig. 18

Option E block diagram

Table 18: Inrush current characteristics with option E

Characteristic		CM at $V_i = 110$ VDC		EM, LM at $V_i = 110$ VDC		EM, LM at $V_i = 372$ VDC		Unit
		typ	max	typ	max	typ	max	
$I_{inr p}$	Peak inrush current	6.5	8	2.2	4	7.3	10	A
t_{inr}	Inrush current duration	22	30	10	20	20	40	ms


Fig. 19

Typical inrush current waveforms of CM, EM, and LM converters with option E

Precautions:

In order to avoid overload of the series resistor R_i , the on/off switching cycle should be limited to 12 s, if switched on/off continuously. There should not be more than 10 start-up cycles within 20 s at a case temperature of 25 °C.

If CM models are driven by input voltages below 35 VDC or LM models below 100 VAC, the maximum case temperature should be derated by 10 °C, or the total output power should be derated by 20%. EM and LM models driven

Table 19: Undervoltage monitor functions

Output type		Monitoring		Minimum adjustment range of threshold level V_t		Typical hysteresis V_h [% of V_t] for $V_{t min} - V_{t max}$	
JFET	NPN	V_i	V_{o1}	V_{ti}	V_{to}	V_{hi}	V_{ho}
D1	D5	no	yes	–	3.5 V – 48 V ¹	–	2.3 – 1
D2	D6	yes	no	$V_{i min} - V_{i max}$ ¹	–	3.0 – 0.5	–
D3	D7	yes	yes	$V_{i min} - V_{i max}$ ¹	0.95 – 0.98 V_{o1} ²	3.0 – 0.5	"0"
D4	D8	no	yes	–	0.95 – 0.98 V_{o1} ²	–	"0"
D0	D9	no	yes	–	3.5 V – 48 V ³	–	1.8 – 1
		yes	no	$V_{i min} - V_{i max}$ ^{3 4}	–	2.2 – 0.4	–
		yes	yes	$V_{i min} - V_{i max}$ ^{3 4}	0.95 – 0.98 V_{o1} ²	2.2 – 0.4	→‡→

¹ Threshold level adjustable by potentiometer (not recommended for mobile applications)

² Fixed value between 95% and 98% of V_{o1} (tracking)

³ Fixed value, resistor-adjusted according to customer's specifications $\pm 2\%$ at 25 °C; individual type number is determined by Power-One

⁴ Adjusted at $I_{o nom}$

by DC input voltages do not need to be derated within the full specified input voltage range.

F Fuse Not Accessible

Standard M converters have a fuseholder containing a 5 × 20 mm fuse, which is externally accessible and located in the back plate near to the connector. Some applications require an inaccessible fuse. Option F provides a fuse mounted directly onto the main PCB inside the case (only FM1000).

The full self-protecting functions of the converter do normally not lead to a broken fuse, except as a result of inverse polarity at the input of an AM, BM, CM, or FM models, or if a power component inside fails. In such cases the defective converter must be returned to Power-One for repair.

H Enhanced Electric Strength Test

Electric strength test output to case; see table *Isolation*.

D Undervoltage Monitor

The input and/or output undervoltage monitor operates independently of the built-in input undervoltage lock-out circuit. A logic "low" (JFET output) or "high" signal (NPN output) is generated at pin 5, when one of the monitored voltages drops below the preselected threshold level V_t . The return for this signal is V_{o1} – (pin 23). The D output recovers, when the monitored voltage(s) exceed(s) $V_t + V_h$. The threshold level V_t is either adjustable by a potentiometer accessible through a hole in the front cover, or adjusted in the factory to a fixed value specified by the customer.

Option D exists in various versions D0 – D9, as shown in the table below:

JFET output (D0 – D4):

Connector pin D is internally connected via the drain-source path of a JFET (self-conducting type) to the negative potential of output 1. $V_D \leq 0.4$ V (logic low) corresponds to a monitored voltage level (V_i and/or V_{o1}) $< V_{ti}$. The current I_D through the JFET should not exceed 2.5 mA. The JFET is protected by a 0.5 W Zener diode of 8.2 V against external overvoltages.

V_i, V_{o1} status	D output, V_D
V_i or $V_{o1} < V_{ti}$	low, L, $V_D \leq 0.4$ V at $I_D = 2.5$ mA
V_i and $V_{o1} > V_{ti} + V_{hi}$	high, H, $I_D \leq 25$ μ A at $V_D = 5.25$ V

NPN output (D5 – D9):

Connector pin D is internally connected via the collector-emitter path of a NPN transistor to the negative potential of output 1. $V_D \leq 0.4$ V (logic low) corresponds to a monitored voltage level (V_i and/or V_{o1}) $> V_{ti} + V_{hi}$. The current I_D through the open collector should not exceed 20 mA. The NPN output is not protected against external overvoltages. V_D should not exceed 40 V.

V_i, V_{o1} status	D output, V_D
V_i or $V_{o1} < V_{ti}$	high, H, $I_D \leq 25$ μ A at $V_D = 40$ V
V_i and $V_{o1} > V_{ti} + V_{hi}$	low, L, $V_D \leq 0.4$ V at $I_D = 20$ mA

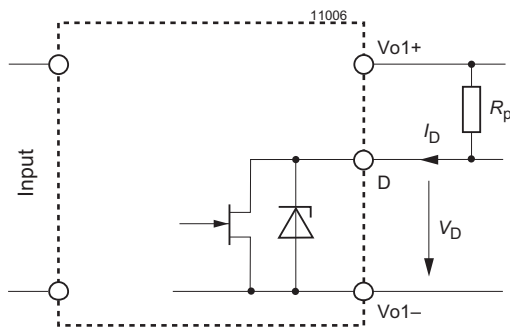


Fig. 20
Options D0 – D4, JFET output

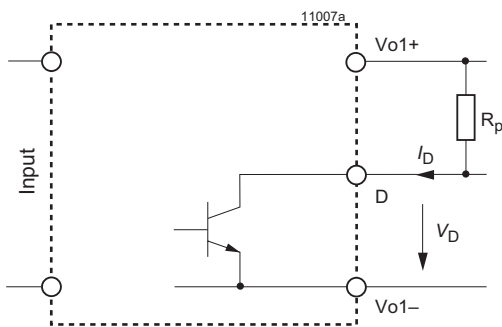


Fig. 21
Options D5 – D9, NPN output

Threshold tolerances and hysteresis:

If V_i is monitored, the internal input voltage after the input filter and rectifier (EM and LM types) is measured. Consequently, this voltage differs from the voltage at the connector pins by the voltage drop ΔV_{ti} across input filter and rectifier. The threshold level of the D0 and D9 options is adjusted in the factory at nominal output current $I_{o\ nom}$ and $T_A = 25$ °C. The value of ΔV_{ti} depends upon input voltage range (AM, BM, etc.), threshold level V_{ti} , temperature, and input current.

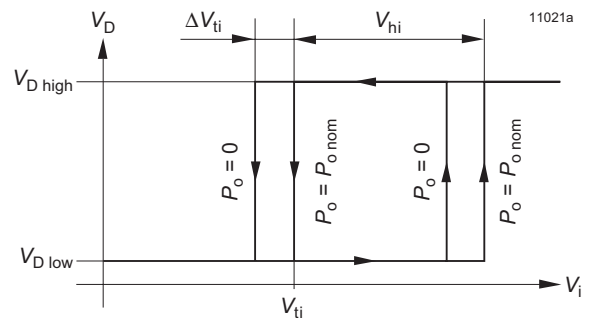
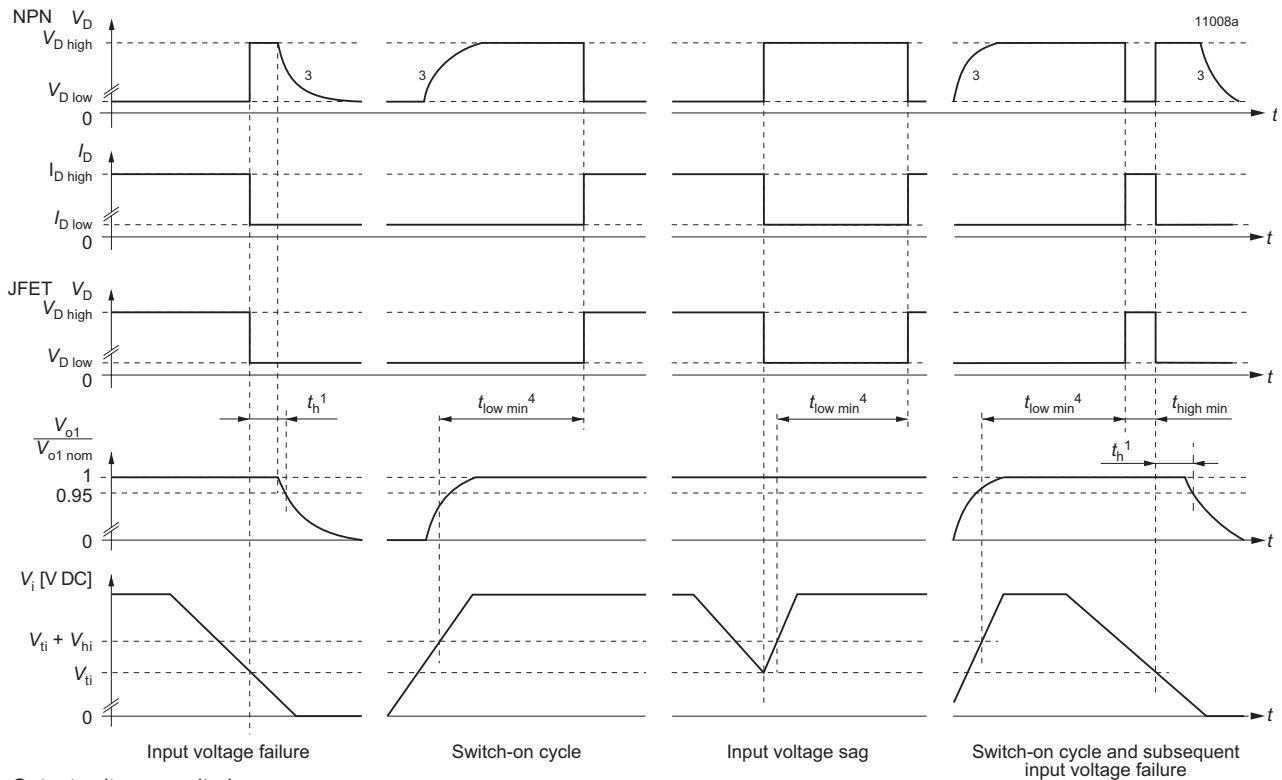
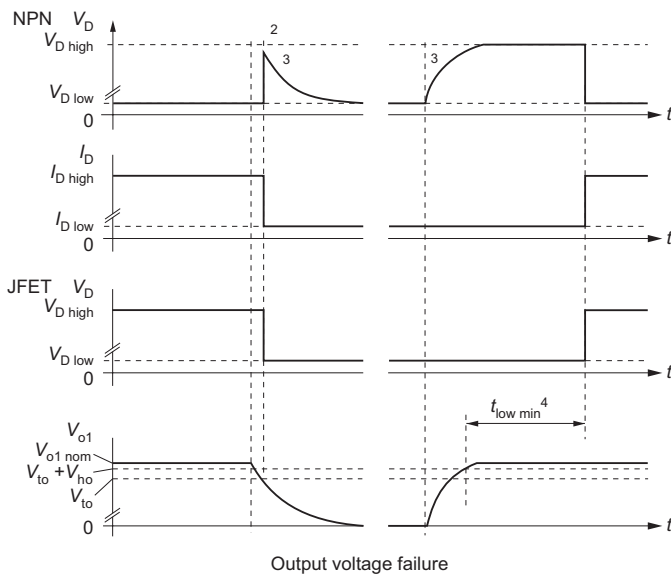


Fig. 22
Definition of V_{ti} , ΔV_{ti} , and V_{hi} (JFET output)

Input voltage monitoring

Output voltage monitoring

Fig. 23

Relationship between V_i , V_{o1} , V_D , I_D , and $V_{o1}/V_{o1\ nom}$ versus time.

- 1 See *Electrical Output Data* for hold-up time.
- 2 With output voltage monitoring the hold-up time $t_h = 0$
- 3 The D signal remains high, if the D output is connected to an external source.
- 4 $t_{low\ min} = 40 - 200$ ms, typically 80 ms

V ACFAIL Signal (VME)

Available for converters with $V_{o1} = 5.1$ V. This option defines an undervoltage monitoring circuit for the input or the input and main output voltage equivalent to option D and generates the ACFAIL signal (V signal), which conforms to the VME standard. The low state level of the ACFAIL signal is specified at a sink current of $I_V = 48$ mA to $V_V \leq 0.6$ V (open-collector

output). The pull-up resistor feeding the open-collector output should be placed on the VME backplane.

After the ACFAIL signal has gone low, the VME standard requires a hold-up time t_h of at least 4 ms before the 5.1 V output drops to 4.875 V, when the 5.1 V output is fully loaded. This hold-up time t_h is provided by the internal input capacitance. Consequently the working input voltage and the

threshold level V_{ti} should be adequately above the minimum input voltage $V_{i\min}$ of the converter, so that enough energy is remaining in the input capacitance. If the input voltage is below the required level, an external hold-up capacitor ($C_{i\text{ext}}$) should be added.

Formula for threshold level for desired value of t_h :

$$V_{ti} = \sqrt{\frac{2 \cdot P_o \cdot (t_h + 0.3 \text{ ms}) \cdot 100}{C_{i\min} \cdot \eta}} + V_{i\min}^2$$

Formula for additional external input capacitor

$$C_{i\text{ext}} = \frac{2 \cdot P_o \cdot (t_h + 0.3 \text{ ms}) \cdot 100}{\eta \cdot (V_{ti}^2 - V_{i\min}^2)} - C_{i\min}$$

whereas:

$C_{i\min}$ = minimum internal input capacitance [mF], according to the table below

$C_{i\text{ext}}$ = external input capacitance [mF]

P_o = output power [W]

η = efficiency [%]

t_h = hold-up time [ms]

$V_{i\min}$ = minimum input voltage [V]

V_{ti} = threshold level [V]

Notes: The threshold level V_{ti} of option V2 and V3 is adjusted in the factory to a value according to the table below. A decoupling diode should be connected in series with the input of AM, BM, CM, DM, and FM converters to avoid the input capacitance discharging through other loads connected to the same source voltage. If LM models are powered by AC, an external input capacitor cannot be applied unless an additional rectifier is provided.

Table 20: Available internal input capacitance and factory potentiometer setting of U_{ti} with resulting hold-up time

Types	AM	BM	CM	DM	EM	FM	LM	Unit
$C_{i\min}$	2.6	0.67	0.37	0.14	0.14	0.37	0.14	mF
V_{ti}	9.5	19.5	39	61	104	39	120	VDC
t_h	0.34	0.69	1.92	1.73	6.69	2.92	8.18	ms

Option V operates independently of the built-in input under-voltage lockout circuit. A logic "low" signal is generated at pin 5 as soon as one of the monitored voltages drops below the pre-selected threshold level V_t . The return for this signal is Vo1- (pin 23). The V output recovers, when the monitored voltage

exceeds $V_t + V_h$. The threshold level V_t is either adjustable by a potentiometer, accessible through a hole in the front cover, or adjusted in the factory to a determined customer-specific value.

Versions V0, V2 and V3 are available as shown below.

Table 21: Undervoltage monitor functions

V output (VME compatible)	Monitoring		Minimum adjustment range of threshold level V_t		Typical hysteresis U_h [% of V_t] for $V_{t\min} - V_{t\max}$	
	V_i	V_{o1}	V_{ti}	V_{to}	V_{hi}	V_{ho}
V2	yes	no	$V_{i\min} - V_{i\max}^1$	-	3.0 - 0.5	-
V3	yes	yes	$V_{i\min} - V_{i\max}^1$	$0.95 - 0.98 V_{o1}^2$	3.0 - 0.5	"0"
V0	yes	no	$V_{i\min} - V_{i\max}^{3,4}$	-	2.2 - 0.4	-
	yes	yes	$V_{i\min} - V_{i\max}^{3,4}$	$0.95 - 0.98 V_{o1}^2$	2.2 - 0.4	"0"

¹ Threshold level adjustable by potentiometer (not recommended for mobile applications).

² Fixed value between 95% and 98% of V_{o1} (tracking), output undervoltage monitoring is not a requirement of VME standard.

³ Adjusted at $I_{o\text{nom}}$.

⁴ Fixed value, resistor-adjusted ($\pm 2\%$) acc. to customer's specifications; individual type designation is determined by Power-One.

V output (V0, V2, V3):

Connector pin V is internally connected to the open collector of a NPN transistor. The emitter is connected to the negative potential of output 1. $V_V - 0.6 \text{ V}$ (logic low) corresponds to a monitored voltage level (V_i and/or V_{o1}) $< U_t$. The current I_V through the open collector should not exceed 50 mA. The NPN output is not protected against external overvoltages. V_V should not exceed 80 V.

V_i, V_{o1} status	V output, V_V
V_i or $V_{o1} < V_t$	low, L, $V_V \leq 0.6 \text{ V}$ at $I_V = 50 \text{ mA}$
V_i and $V_{o1} > V_t + V_h$	high, H, $I_V \leq 25 \mu\text{A}$ at $V_V = 5.1 \text{ V}$

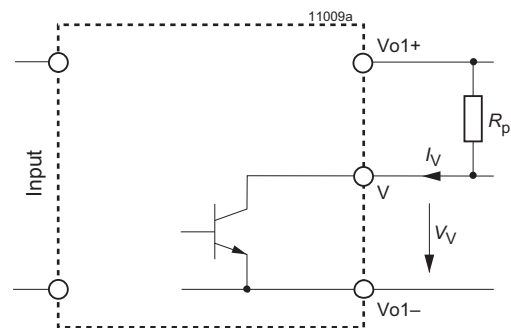


Fig. 24

Output configuration of options V0, V2, V3

Threshold tolerances and hysteresis:

V_i is monitored after the input filter and rectifier (EM and LM models). Consequently, this voltage differs from the voltage at the connector pins by the voltage drop ΔV_{ti} across input filter and rectifier. The threshold level of option V0 is factory-adjusted at $I_{o\ nom}$ and $T_A = 25\ ^\circ\text{C}$. ΔV_{ti} depends upon the input voltage range (AM, BM, ...), threshold level V_{ti} , temperature, and input current.

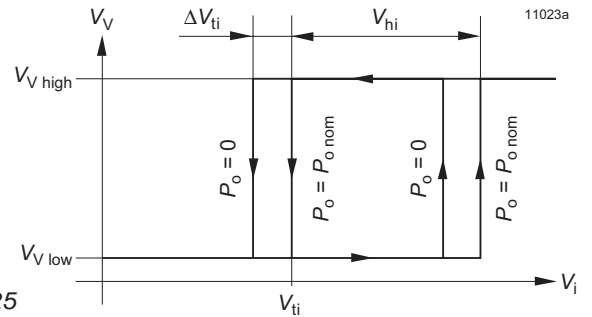


Fig. 25
 Definition of V_{ti} , ΔV_{ti} and V_{hi}

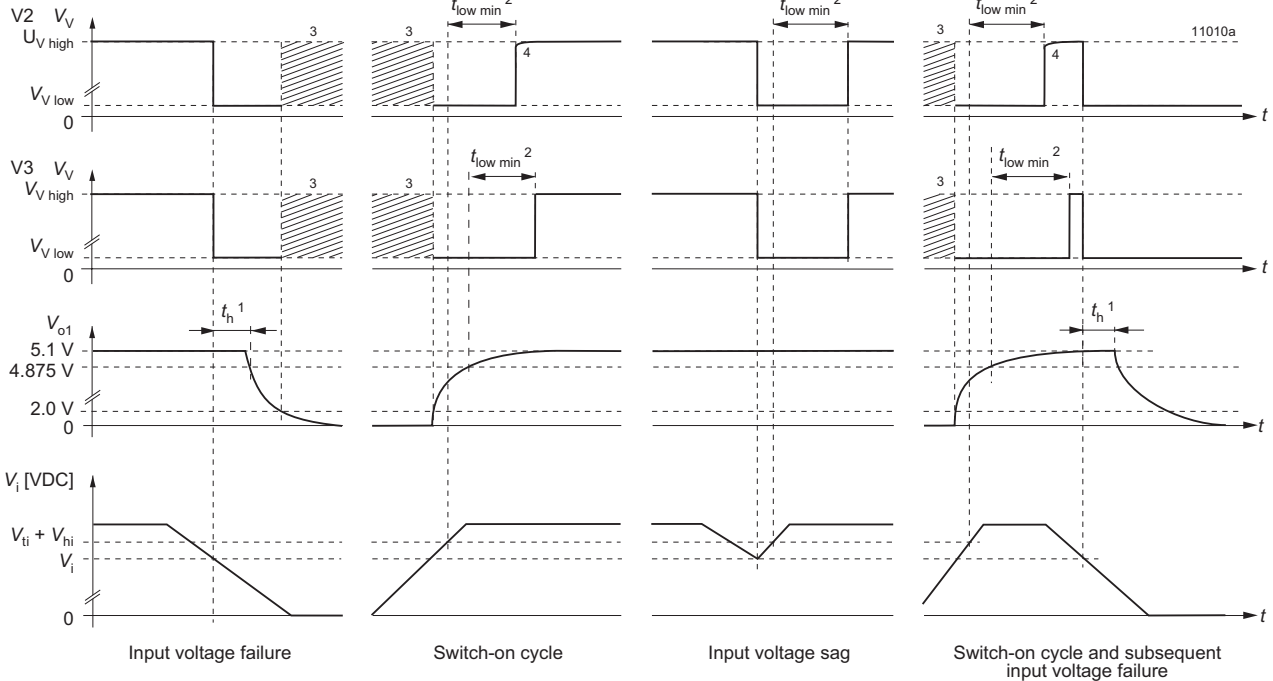
Input voltage monitoring


Fig. 26
 Relationship between V_i , V_{o1} , V_v , I_v , and $V_{o1}/V_{o\ nom}$ versus time.

- 1 VME request: minimum 4 ms
- 2 $t_{low\ min} = 40 - 200\ ms$, typically 80 ms
- 3 V_v level not defined at $V_{o1} < 2.0\ V$
- 4 The V signal drops simultaneously with the output voltage, if the pull-up resistor R_P is connected to Vo1+. The V signal remains high, if R_P is connected to an external source.

K Coding Strip

A plastic part across the connector ensures correct population of the DIN-rack.

G RoHS

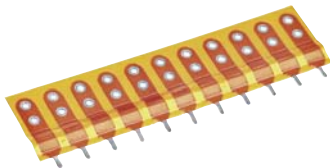
RoHS-compatible for all six substances.

Accessories

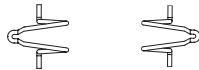
A great variety of electrical and mechanical accessories are available including:

- Various mating H11 connectors including solder, fast-on, or press-fit terminals
- Pair of connector retention clips HZZ01209-G
- Code key system: 5 coding wedges HZZ00202-G
- Various front panels for 19" rack mounting
- Flexible H11 PCB board HZZ01208-G for connecting with a mother board
- Universal mounting bracket UMB-LHMQ (HZZ00610-G) for chassis or DIN-rail mounting in upright position.
- DIN-rail mounting brackets DMB-MHQ (HZZ00619-G)
- Mounting plate M (HZZ01208) for chassis or a wall mounting, where only frontal access is given
- Battery sensor [S-KSMH...] for using the converter as battery charger (different cell characteristics).

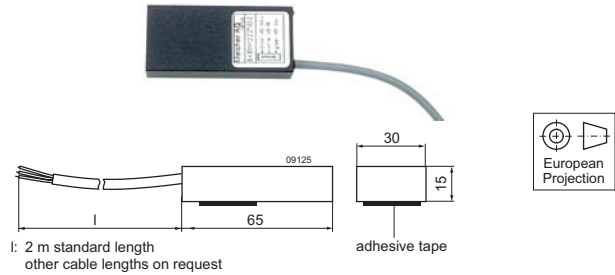
For additional accessory product information, see the accessory data sheets listed with each product series or individual model at our web site.



Flexible H11 PCB
HZZ01208-G



Pair of connector
retention clips
HZZ01209-G



Battery temperature sensor S-KSMH...



DIN-rail mounting brackets
DMB-MHQ (HZZ00619-G)



Mounting plate M (HZZ01210), connector
with fast-on terminals (HZZ00101-G),
secured with retention clips (HZZ01209-G)



Universal mounting bracket for DIN-rail
mounting UMB-LHMQ (HZZ00610-G)



Different front
panels

NUCLEAR AND MEDICAL APPLICATIONS - These products are not designed or intended for use as critical components in life support systems, equipment used in hazardous environments, or nuclear control systems.

TECHNICAL REVISIONS - The appearance of products, including safety agency certifications pictured on labels, may change depending on the date manufactured. Specifications are subject to change without notice.

Copyright © 2015, Bel Power Solutions Inc. All rights reserved.

www.belpowersolutions.com/power

X-ON Electronics

Largest Supplier of Electrical and Electronic Components

Click to view similar products for [Isolated DC/DC Converters](#) category:

Click to view products by [Bel Fuse](#) manufacturer:

Other Similar products are found below :

[ESM6D044440C05AAQ](#) [FMD15.24G](#) [PSL486-7LR](#) [PSR152.5-7IR](#) [Q48T30020-NBB0](#) [AVO240-48S12B-6L](#) [AVO250-48S28B-6L](#) [NAN-0505](#) [HW-L16D](#) [JAHW100Y1](#) [217-1617-001](#) [22827](#) [SPB05C-12](#) [SQ24S15033-PS0S](#) [18952](#) [19-130041](#) [CE-1003](#) [CE-1004](#) [GQ2541-7R](#) [PSE1000DCDC-12V](#) [RDS180245](#) [MAU228](#) [419-2065-201](#) [449-2075-101](#) [V300C24C150BG](#) [419-2062-200](#) [419-2063-401](#) [419-2067-101](#) [419-2067-501](#) [419-2068-001](#) [DFC15U48D15](#) [449-2067-000](#) [XGS-0512](#) [XGS-1205](#) [XGS-1212](#) [XGS-2412](#) [XGS-2415](#) [XKS-1215](#) [033456](#) [NCT1000N040R050B](#) [SPB05B-15](#) [SPB05C-15](#) [VI-26B-CU](#) [V24C12C100BG](#) [L-DA20](#) [HP3040-9RG](#) [HP1001-9RTG](#) [DCG40-5G](#) [XKS-2415](#) [XKS-2412](#)