

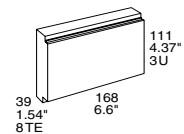
50 Watt DC-DC (AC-DC) Converters

M Series

Wide input voltage from 8...373 V DC
1, 2 or 3 isolated outputs up to 48 V DC
4 kV AC I/O electric strength test voltage

- Extremely wide input voltage range suitable for battery (and AC) operation
- Efficient input filter and built-in surge and transient suppression circuitry
- Outputs individually isolated and controlled
- Outputs fully protected against overload

Safety according to IEC/EN 60950



Summary

The M series of DC-DC (AC-DC) converters represents a broad and flexible range of power supplies for use in advanced industrial electronic systems. Features include high efficiency, reliability, low output voltage noise and excellent dynamic response to load/line changes due to individual regulation of each output.

The converter inputs are protected against surges and transients occurring at the source lines. An input over- and undervoltage lock-out circuitry disables the outputs if the input voltage is outside the specified range. Certain types include an inrush current limitation preventing circuit breakers and fuses from being damaged at switch-on.

All outputs are open- and short-circuit proof and are protected against overvoltages by means of built-in suppressor diodes. The outputs can be inhibited by a logic signal applied to the connector pin 2 (i). If the inhibit function is not used pin 2 should be connected to pin 23 to enable the outputs.

LED indicators display the status of the converter and allow visual monitoring of the system at any time.

Full input to output, input to case, output to case and output to output isolation is provided. The modules are designed and built according to the international safety standard IEC/EN 60950 and have been approved by the safety

agencies LGA (Germany) and UL (USA). The UL Mark for Canada has been officially recognized by regulatory authorities in provinces across Canada.

The case design allows operation at nominal load up to 71 °C in a free air ambient temperature. If forced cooling is provided, the ambient temperature may exceed 71 °C but the case temperature should remain below 95 °C under all conditions.

A temperature sensor generates an inhibit signal which disables the outputs if the case temperature T_C exceeds the limit. The outputs are automatically re-enabled when the temperature drops below the limit.

Various options are available to adapt the converters to individual applications.

The modules may either be plugged into 19 inch rack systems according to DIN 41494, or be chassis mounted.

Table of Contents

	Page		Page
Summary	1	Electromagnetic Compatibility (EMC)	13
Type Survey and Key Data	2	Immunity to Environmental Conditions	15
Type Key	3	Mechanical Data	16
Functional Description	4	Safety and Installation Instructions	17
Electrical Input Data	5	Description of Options	19
Electrical Output Data	7	Accessories	25
Auxiliary Functions	10		

Type Survey and Key Data

Non standard input/output configurations or special custom adaptations are available on request. See also: *Commercial Information: Inquiry Form for Customized Power Supply*.

The type survey tables provide an overview of the basic input and output configurations. More than 1000 different types have been manufactured providing different output configurations and customized specialities. Please consult Power-One's field sales engineers for specific requirements. The best technical solution will carefully be considered and a detailed proposal submitted.

Table 1a: Class I equipment

Output 1		Output 2		Output 3		Input voltage range and efficiency ¹					Options	
$U_{o\ nom}$ [V DC]	$I_{o\ nom}$ [A]	$U_{o\ nom}$ [V DC]	$I_{o\ nom}$ [A]	$U_{o\ nom}$ [V DC]	$I_{o\ nom}$ [A]	$U_{i\ min...U_{i\ max}}$ 8...35 V DC	η_{min} [%]	$U_{i\ min...U_{i\ max}}$ 14...70 V DC	η_{min} [%]	$U_{i\ min...U_{i\ max}}$ 20...100 V DC		η_{min} [%]
5.1	8.0	-	-	-	-	AM 1001-7R	72	BM 1001-7R	74	FM 1001-7R	74	-9 P D0...D9 V0,V2,V3 A
12.0	4.0	-	-	-	-	AM 1301-7R	79	BM 1301-7R	80	FM 1301-7R	80	
15.0	3.4	-	-	-	-	AM 1501-7R	79	BM 1501-7R	81	FM 1501-7R	81	
24.0	2.0	-	-	-	-	AM 1601-7R	81	BM 1601-7R	83	FM 1601-7R	82	
48.0	1.0	-	-	-	-	AM 1901-7R	81	BM 1901-7R	83	FM 1901-7R	83	
12.0	2.0	12.0	2.0	-	-	AM 2320-7	77	BM 2320-7	79	FM 2320-7	80	H F
15.0	1.7	15.0	1.7	-	-	AM 2540-7	78	BM 2540-7	80	FM 2540-7	79	
5.1	5.0	12.0	0.7	12.0	0.7	AM 3020-7	75	BM 3020-7	76	FM 3020-7	76	
5.1	5.0	15.0	0.6	15.0	0.6	AM 3040-7	75	BM 3040-7	76	FM 3040-7	76	

Table 1b: Class I equipment

Output 1		Output 2		Output 3		Input voltage range and efficiency ¹					Options	
$U_{o\ nom}$ [V DC]	$I_{o\ nom}$ [A]	$U_{o\ nom}$ [V DC]	$I_{o\ nom}$ [A]	$U_{o\ nom}$ [V DC]	$I_{o\ nom}$ [A]	$U_{i\ min...U_{i\ max}}$ 28...140 V DC	η_{min} [%]	$U_{i\ min...U_{i\ max}}$ 44...220 V DC	η_{min} [%]	$U_{i\ min...U_{i\ max}}$ 88...372 V DC (85...264 V AC)		η_{min} [%]
5.1	8.0	-	-	-	-	CM 1001-7R	74	DM 1001-7R	74	LM 1001-7R	73	-9 E P D0...D9 V0,V2,V3
12.0	4.0	-	-	-	-	CM 1301-7R	80	DM 1301-7R	81	LM 1301-7R	79	
15.0	3.4	-	-	-	-	CM 1501-7R	82	DM 1501-7R	82	LM 1501-7R	78	
24.0	2.0	-	-	-	-	CM 1601-7R	82	DM 1601-7R	83	LM 1601-7R	81	
48.0	1.0	-	-	-	-	CM 1901-7R	82	DM 1901-7R	83	LM 1901-7R	81	
12.0	2.0	12.0	2.0	-	-	CM 2320-7	79	DM 2320-7	80	LM 2320-7	77	A H
15.0	1.7	15.0	1.7	-	-	CM 2540-7	80	DM 2540-7	80	LM 2540-7	78	
5.1	5.0	12.0	0.7	12.0	0.7	CM 3020-7	76	DM 3020-7	77	LM 3020-7	73	F
5.1	5.0	15.0	0.6	15.0	0.6	CM 3040-7	76	DM 3040-7	76	LM 3040-7	71	

Table 1c: Class II equipment (double insulation) □

Output 1		Output 2		Output 3		Input voltage range and efficiency ¹					Options	
$U_{o\ nom}$ [V DC]	$I_{o\ nom}$ [A]	$U_{o\ nom}$ [V DC]	$I_{o\ nom}$ [A]	$U_{o\ nom}$ [V DC]	$I_{o\ nom}$ [A]	$U_{i\ min...U_{i\ max}}$ 28...140 V DC	η_{min} [%]	$U_{i\ min...U_{i\ max}}$ 44...220 V DC	η_{min} [%]	$U_{i\ min...U_{i\ max}}$ 88...372 V DC (85...264 V AC)		η_{min} [%]
5.1	8.0	-	-	-	-	CMZ 1001-7R	74	DMZ 1001-7R	74	LMZ 1001-7R	73	-9 E P D0...D9 V0,V2,V3
12.0	4.0	-	-	-	-	CMZ 1301-7R	80	DMZ 1301-7R	81	LMZ 1301-7R	79	
15.0	3.4	-	-	-	-	CMZ 1501-7R	82	DMZ 1501-7R	82	LMZ 1501-7R	78	
24.0	2.0	-	-	-	-	CMZ 1601-7R	82	DMZ 1601-7R	83	LMZ 1601-7R	81	
48.0	1.0	-	-	-	-	CMZ 1901-7R	82	DMZ 1901-7R	83	LMZ 1901-7R	81	
12.0	2.0	12.0	2.0	-	-	CMZ 2320-7	79	DMZ 2320-7	80	LMZ 2320-7	77	A H F
15.0	1.7	15.0	1.7	-	-	CMZ 2540-7	80	DMZ 2540-7	80	LMZ 2540-7	78	
5.1	5.0	12.0	0.7	12.0	0.7	CMZ 3020-7	76	DMZ 3020-7	77	LMZ 3020-7	73	
5.1	5.0	15.0	0.6	15.0	0.6	CMZ 3040-7	76	DMZ 3040-7	76	LMZ 3040-7	71	

¹ Efficiency at $U_{i\ nom}$ and $I_{o\ nom}$.

Notes: EM types with an input voltage range of 67...385 V DC are available upon request.

LM types may be operated in AC mode within a frequency range of 47...440 Hz and LMZ types within a frequency range of 47...65 Hz. See: *AC-DC converters ≤100 W: M-Series*.

Type Key

Type Key

		C	M	Z	2	5	40	-7	E	R	P	D	V	A	H	F
Input voltage range U_i :	8...35 V DC A															
	14...70 V DC B															
	20...100 V DC F															
	28...140 V DC C	_____														
	44...220 V DC D															
	67...385 V DC E ¹															
	85...264 V AC, 88...372 V DC L															
Series	M	_____														
Class II Equipment	Z		_____													
Number of outputs	1...3			_____												
Output 1, $U_{o1 \text{ nom}}$:	5.1 V 0...2															
	12 V 3															
	15 V 4...5															
	24 V 6															
	other voltages 7...8															
	48 V 9															
	other specs for single output modules 01...99															
Output 2 and 3, $U_{o2 \text{ nom}}$, $U_{o3 \text{ nom}}$:	5.1 V 01...19															
	12 V 20...39															
	15 V 40...59															
	24 V 60...69															
	other voltages for multiple output modules 70...99															
Ambient temperature range T_A :	-25...71 °C -7															
	-40...71 °C -9															
	customer specific -0...-8															
Auxiliary functions and options:																
Inrush current limitation (C/E/LM and C/LMZ)	E															
Output voltage control input (single output modules)	R ²															
Potentiometers for fine adjustment of output voltages	P ²															
Save data signal (D0...D9, to be specified)	D ³															
ACFAIL signal (V0, V2, V3, to be specified)	V ³															
Output voltage test sockets	A															
Increased electric strength test voltage (o/c)	H															
Input fuse built-in (not accessible)	F															

¹ EM types available upon request
² Feature R excludes option P and vice versa
³ Option D excludes option V and vice versa

Example: CM 2540-7PD3A: DC-DC converter, input voltage range 28...140 V, providing output 1 with 15 V/1.7 A and output 2 with 15 V/1.7 A; equipped with potentiometers, undervoltage monitor and test sockets.

Note: All units feature input and output filters and the auxiliary function inhibit which are not shown in the type designation.

Functional Description

The input voltage is fed via an input fuse, an input filter, a rectifier³ and an inrush current limiter⁴ to the input capacitor. This capacitor sources a single transistor forward converter. Each output is powered by a separate secondary winding of the main transformer. The resultant voltages are rectified and their ripples smoothed by a power choke and an output filter. The control logic senses the main output voltage U_{o1} and generates, with respect to the maximum admissible output currents, the control signal for the pri-

mary switching transistor. This signal is fed back via a coupling transformer.

The auxiliary outputs U_{o2} and U_{o3} are individually regulated by means of secondary switching transistors. Each auxiliary output's current is sensed using a current transformer. If one of the outputs is driven into current limit, the other outputs will reduce their output voltages as well because all output currents are controlled by the same main control circuit.

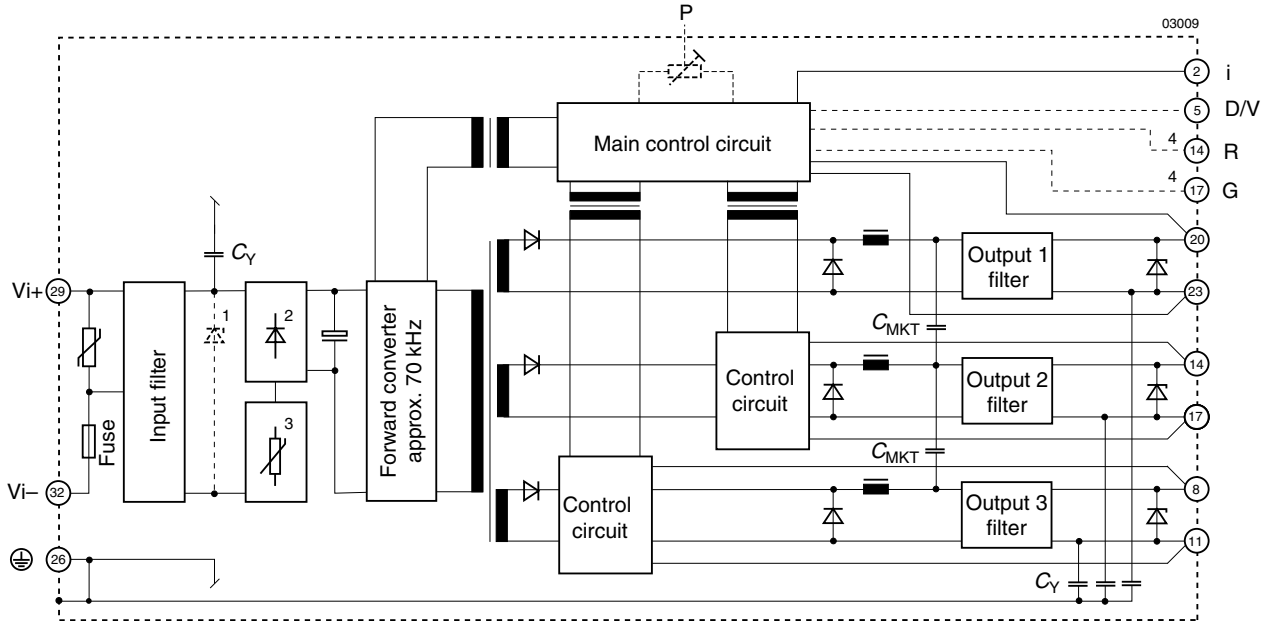


Fig. 1a
Block diagram, class I equipment

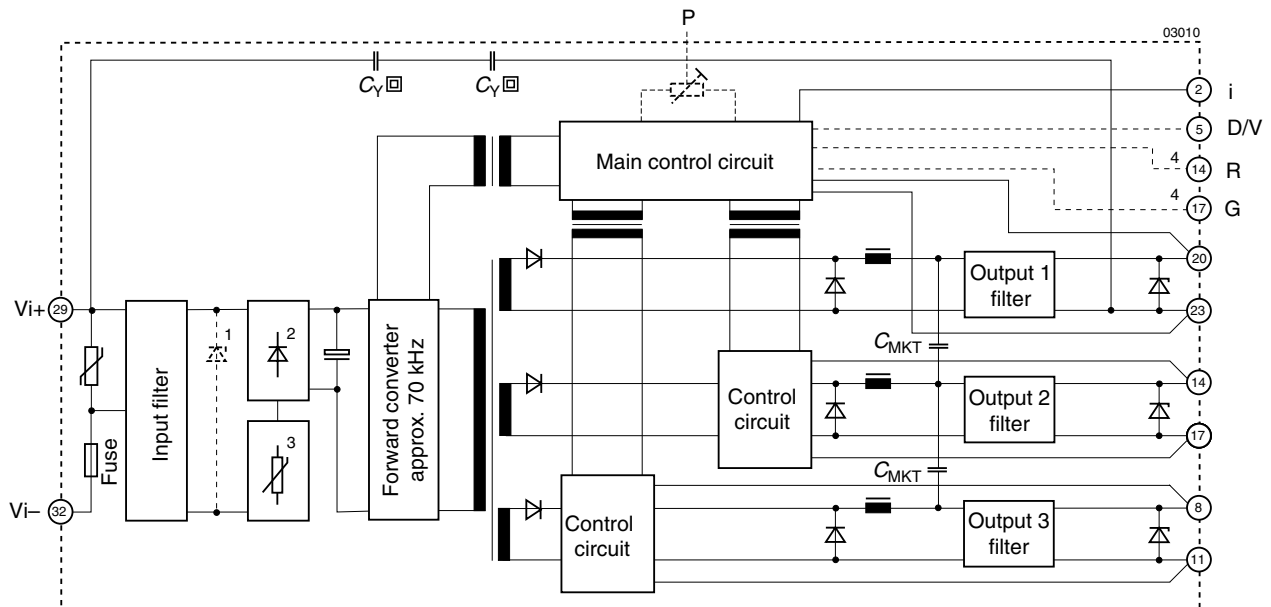


Fig. 1b
Block diagram, class II equipment (double insulation)

¹ Transient suppressor diode in AM, BM, CM, FM and CMZ types.
² Bridge rectifier in LM and LMZ, series diode in EM types.
³ Inrush current limiter (NTC) in CM, DM, EM, LM and CMZ, DMZ, LMZ types (option E: refer to the description of option E).
⁴ Single output modules AM...LM 1000 and CMZ...LMZ 1000 with feature R.
 For output configuration please refer to table: *Pin allocation*.

Electrical Input Data

General conditions:

– $T_A = 25^\circ\text{C}$, unless T_C is specified.

– Connector pins 2 and 23 interconnected, with option P: $U_o = U_{o\text{ nom}}$, R input not connected.

Table 2a: Input data

Input			AM			BM			FM			CM/CMZ			Unit
Characteristics	Conditions		min	typ	max	min	typ	max	min	typ	max	min	typ	max	
U_i	Operating input voltage	$I_o = 0 \dots I_{o\text{ nom}}$	8		35	14		70	20		100	28		140	V DC
$U_{i\text{ nom}}$	Nominal input voltage	$T_C\text{ min} \dots T_C\text{ max}$		15			30			50			60		
I_i	Input current	$U_{i\text{ nom}}, I_{o\text{ nom}}^2$		4.0			2.0			1.2			1.0		A
P_{i0}	No-load input power: Single output Double output Triple output	$U_{i\text{ nom}}$ $I_{o1,2,3} = 0$		1	1.5		1	1.5		1	1.5		1	1.5	W
				7	9		7	9		7	9		7	9	
				6	9		6	9		6	9		6	9	
$P_{i\text{ inh}}$	Idle input power	inhibit mode		2			2			2			2		
$I_{i\text{ nr p}}^6$	Peak inrush current	$U_i = U_{i\text{ max}}$ $R_S = 0 \Omega^3$ $T_C = 25^\circ\text{C}$		400			500			400			170 ⁴		A
$t_{i\text{ nr r}}$	Rise time			60			50			40			60		μs
$t_{i\text{ nr h}}$	Time to half-value			170			100			60			280		
R_i	Input resistance	$T_C = 25^\circ\text{C}$	87.5			140			250			824 ⁴			$\text{m}\Omega$
C_i	Input capacitance		2600	4000		670	1100		370	600		370	600		μF
$U_{i\text{ abs}}$	Input voltage limits without any damage		0	40		0	80		0	120		0	160		V DC

Table 2b: Input data

Input			DM/DMZ			EM			LM/LMZ			Unit			
Characteristics	Conditions		min	typ	max	min	typ	max	min	typ	max				
U_i	Operating input voltage	$I_o = 0 \dots I_{o\text{ nom}}$ $T_C\text{ min} \dots T_C\text{ max}$		-			-			85		264	V AC ¹		
				44		220	67		385	88		372	V DC		
$U_{i\text{ nom}}$	Nominal input voltage			110			220			310					
I_i	Input current	$U_{i\text{ nom}}, I_{o\text{ nom}}^2$		0.55			0.275			0.20			A		
P_{i0}	No-load input power: Single output Double output Triple output	$U_{i\text{ nom}}$ $I_{o1,2,3} = 0$		1	1.5		1	1.5		1	1.5		1	1.5	W
				7	9		7	9		7	9		7	9	
				6	9		6	9		6	9		6	9	
$P_{i\text{ inh}}$	Idle input power	inhibit mode		2			2			2					
$I_{i\text{ nr p}}^6$	Peak inrush current	$U_i = U_{i\text{ max}}$ $R_S = 0 \Omega^3$ $T_C = 25^\circ\text{C}$		110 ⁴			160 ⁴			60 ⁴				A	
$t_{i\text{ nr r}}$	Rise time			40			40			300				μs	
$t_{i\text{ nr h}}$	Time to half-value			250			240			900					
R_i	Input resistance	$T_C = 25^\circ\text{C}$	2000 ⁴			2400 ⁴			6200 ⁴					$\text{m}\Omega$	
C_i	Input capacitance		140	270		140	270		140	270				μF	
$U_{i\text{ abs}}$	Input voltage limits without any damage		0	400 ⁵		-400	400		-400	400		0	284	V DC	
			-	-		-	-		0	284			V AC		

¹ In AC powered mode: LM types: 47...440 Hz; LMZ types: 47...65 Hz. See: AC-DC Converters ≤100 W: M-Series.

² With multiple output modules, the same condition for each output applies.

³ R_S = source resistance.

⁴ Value for initial switch-on cycle.

⁵ 1 s max., duty cycle 1% max.

⁶ $I_{i\text{ nr p}} = U_i / (R_S + R_i)$. See also: Inrush Current.

Input Fuse

A fuse holder containing a slow-blow type fuse (Dimension: 5 × 20 mm) is mounted in the converter's back plate. The fuse protects the module against severe defects. It may not fully protect the module at input voltages exceeding 200 V DC. In applications where the converters operate at DC source voltages above 200 V DC, an external fuse or a circuit breaker at system level should be installed.

For applications where the fuse should be inaccessible: see *Option F*.

Input Under-/Overvoltage Lock-out

If the input voltage remains below $0.8 U_{i \text{ min}}$ or exceeds $1.1 U_{i \text{ max}}$ (approx. values), an internally generated inhibit signal disables the output(s). When checking this function the absolute maximum input voltage rating $U_{i \text{ abs}}$ must be carefully considered (see table: *Input data*). Between $U_{i \text{ min}}$ and the undervoltage lock-out level the output voltage may be below the value defined in table: *Output data* (see: *Technical Information: Measuring and Testing*).

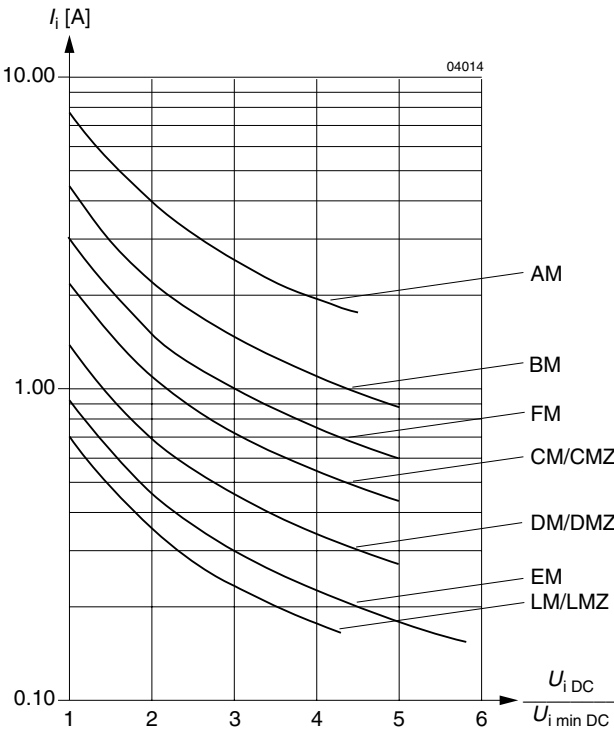


Fig. 2
Typical input current versus relative input voltage at nominal output load

Table 3: Fuse types (slow-blow)

Series	Schurter type	Part number
AM 1000...3000	SPT 10 A 250 V	0001.2514
BM 1000...3000	SPT 8 A 250 V	0001.2513
FM 1000...3000	SPT 5 A 250 V	0001.2511
CM/CMZ 1000...3000	SPT 3.15 A 250 V	0001.2509
DM/DMZ 1000...3000	SPT 2.5 A 250 V	0001.2508
EM 1000...3000		
LM/LMZ 1000...3000		

Reverse Polarity

Reverse polarity at the input of AM, BM, CM, DM, FM and CMZ, DMZ types will cause the fuse to blow. In EM, LM and LMZ types a series diode will protect the module. A series diode is not incorporated in AM, BM, CM, DM, FM and CMZ, DMZ types to avoid unwanted power loss.

Inrush Current

The CM, DM, EM, LM and CMZ, DMZ, LMZ (excluding FM) modules incorporate an NTC resistor in the input circuitry which (during the initial switch-on cycle) limits the peak inrush current to avoid damage to connectors and switching devices. Subsequent switch-on cycles within a short interval will cause an increase of the peak inrush current due to the warming up of the NTC resistor. Refer also to: *Option E* description.

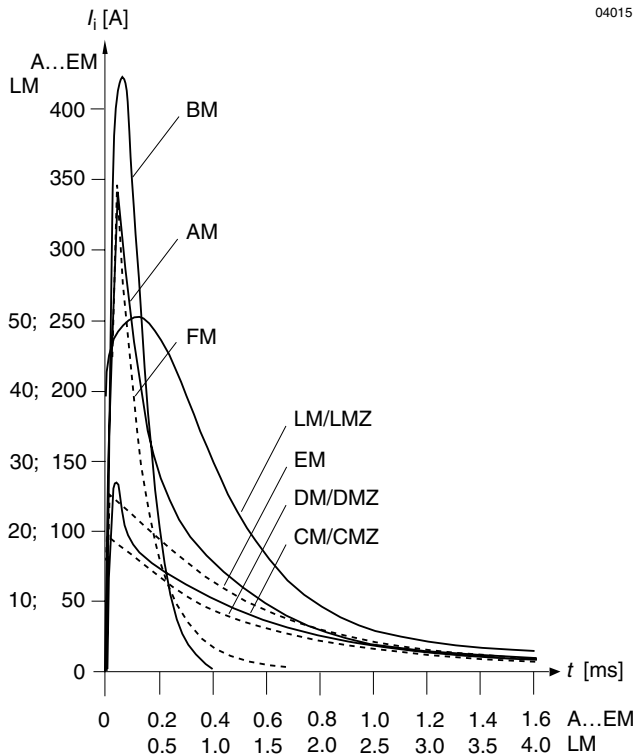


Fig. 3
Typical inrush current at initial switch-on cycle and at $U_{i \text{ max}}$ [DC] versus time

Electrical Output Data

General conditions

– $T_A = 25^\circ\text{C}$, unless T_C is specified.

– Connector pins 2 and 23 interconnected, $U_o = U_{o\text{ nom}}$ (option P), R input not connected.

Table 4: Output data

Output		$U_{o\text{ nom}}$	5.1 V		12 V		15 V		24 V		48 V		Unit
Characteristics		Conditions	min	typ max	min	typ max	min	typ max	min	typ max	min	typ max	
U_o	Output voltage	$U_{i\text{ nom}}, I_{o\text{ nom}}^1$	5.07	5.13	11.93	12.07	14.91	15.09	23.86	24.14	47.72	48.28	V
$U_{o\text{ p}}$	Output overvoltage protection ⁶		7.5		21		25		41		85		
$I_{o\text{ nom}}$	Output current	$U_{i\text{ min}} \dots U_{i\text{ max}}$	see Type Survey and Key Data										
$I_{o\text{ L}}$	Output current limitation response	$T_C\text{ min} \dots T_C\text{ max}$	see Fig. Typical output voltage U_{o1} versus output currents I_o										
u_o	Output voltage noise	Switch. freq.	15 30		25 50		35 70		40 80		50 100		mV _{pp}
		Total	60 120		40 80		40 80		40 80		-		
$\Delta U_{o\text{ U}}$	Static line regulation	$U_{i\text{ min}} \dots U_{i\text{ nom}}$ $U_{i\text{ nom}} \dots U_{i\text{ max}}$ $I_{o\text{ nom}}^1$	$\pm 10 \pm 30$		$\pm 12 \pm 50$		$\pm 15 \pm 60$		$\pm 15 \pm 60$		$\pm 15 \pm 60$		mV
$\Delta U_{o\text{ I}}$	Static load regulation	$U_{i\text{ nom}}$ $I_{o\text{ nom}} \dots 0^2$	6 25		13 50		17 60		30 80		60 150		
$\Delta U_{o\text{ I c}}$	Static cross load regulation ⁴	$U_{i\text{ nom}}$ $I_{o\text{ nom}} \dots 0^3$	0 ± 15		0 ± 20		0 ± 30		0 ± 40		-		
$u_{o\text{ d}}$	Dynamic load regulation	$U_{i\text{ nom}}$ $I_{o\text{ nom}} \leftrightarrow 1/3 I_{o\text{ nom}}^2$	± 220		± 110		± 150		± 130		± 150		
t_{d}	Recovery time	IEC/EN 61204	0.6		0.6		0.5		1		2		ms
			0.05		0.2		0.5		1		-		
$u_{o\text{ d c}}$	Dynamic cross load regulation ⁴	$U_{i\text{ nom}}$ $I_{o\text{ nom}} \leftrightarrow 1/3 I_{o\text{ nom}}^3$	+10 -100		+10 -75		+10 -140		+20 -200		- -		mV
$t_{\text{d c}}$	Recovery time	IEC/EN 61204	0.05 0.5		0.2 0.3		0.5 0.7		1 2		- -		
α_{U_o}	Temperature coefficient $\Delta U_o / \Delta T_C$	$U_{i\text{ min}} \dots U_{i\text{ max}}$	± 0.02		± 0.02		± 0.02		± 0.02		± 0.02		% / K mV / K
		$0 \dots I_{o\text{ nom}}$	± 1.0		± 2.4		± 3.0		± 4.8		± 9.6		

¹ With multiple output modules, the same condition for each output applies.

² Condition for specified output. With multiple output modules, other output(s) loaded with constant current $I_{o\text{ nom}}$. See fig.: *Dynamic load regulation*.

³ Condition for non-specified output, individually tested, other output(s) loaded with constant current $I_{o\text{ nom}}$. See fig.: *Dynamic load regulation*.

⁴ Multiple output modules.

⁵ See: *Technical Information: Measuring and Testing*.

⁶ By suppressor diode.

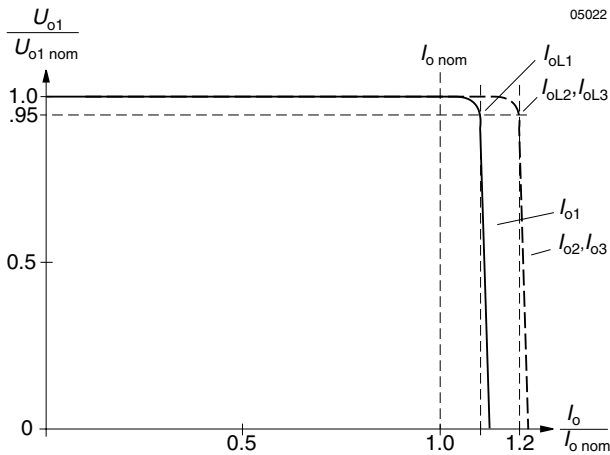


Fig. 4 Typical output voltage U_{o1} versus output currents I_o .

Thermal Considerations

If a converter is located in free, quasi-stationary air (convection cooling) at the indicated maximum ambient temperature $T_{A \max}$ (see table: *Temperature specifications*) and is operated at its nominal input voltage and output power, the temperature measured at the: *Measuring point of case temperature* T_C (see: *Mechanical Data*) will approach the indicated value $T_{C \max}$ after the warm-up phase. However, the relationship between T_A and T_C depends heavily on the conditions of operation and integration into a system. The thermal conditions are influenced by input voltage, output current, airflow and temperature of surrounding components and surfaces. $T_{A \max}$ is therefore, contrary to $T_{C \max}$, an indicative value only.

Caution: The installer must ensure that under all operating conditions T_C remains within the limits stated in the table: *Temperature specifications*.

Notes: Sufficient forced cooling or an additional heat sink allows T_A to be higher than 71 °C (e.g. 85 °C) if $T_{C \max}$ is not exceeded.

For -7 or -9 units at an ambient temperature T_A of 85 °C with only convection cooling, the maximum permissible current for each output is approx. 50% of its nominal value as per figure.

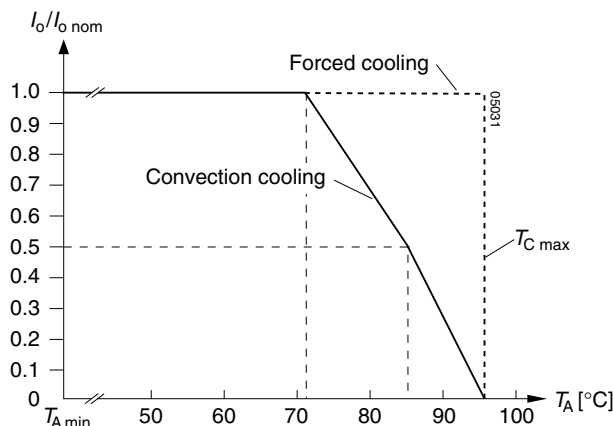


Fig. 6 Output current derating versus temperature for -7 and -9 units.

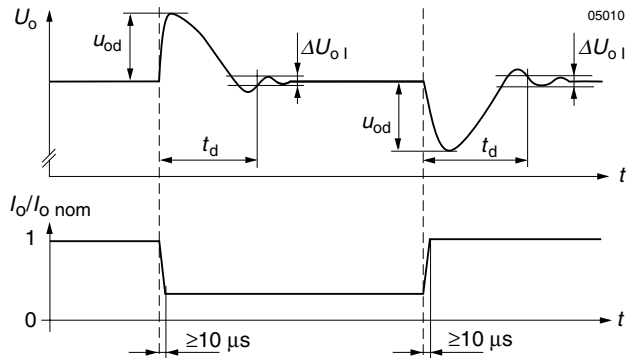


Fig. 5 Dynamic load regulation $u_{o,d}$ versus load change.

Thermal Protection

A temperature sensor generates an internal inhibit signal which disables the outputs if the case temperature exceeds $T_{C \max}$. The outputs are automatically re-enabled if the temperature drops below this limit.

Output Protection

Each output is protected against overvoltages which could occur due to a failure of the internal control circuit. Voltage suppressor diodes (which under worst case condition may become a short circuit) provide the required protection. The suppressor diodes are not designed to withstand externally applied overvoltages. Overload at any of the outputs will cause a shut-down of all outputs. A red LED indicates the overload condition of the respective output.

Parallel and Series Connection

Main outputs of equal nominal voltage can be connected in parallel. It is important to assure that the main output of a multiple output module is forced to supply a minimum current of 0.1 A to enable correct operation of its own auxiliary outputs.

In parallel operation, one or more of the main outputs may operate continuously in current limitation which will cause an increase in case temperature. Consequently, a reduction of the max. ambient temperature by 10 K is recommended.

Main or auxiliary outputs can be connected in series with any other output of the same or another module. In series connection, the maximum output current is limited by the lowest current limit. Output ripple and regulation values are added. Connection wiring should be kept as short as possible.

If output terminals are connected together in order to establish multi-voltage configurations, e.g. +5.1 V, ±12 V etc. the common ground connecting point should be as close as possible to the connector of the converter to avoid excessive output ripple voltages.

Auxiliary outputs should never be connected in parallel!

Output Current Allocation for Special Types

Output currents differing from those given for standard types (as per: *Type Survey and Key Data*) can be provided. A maximum output power of 50 W should be considered, if an ambient temperature range of $-25...71^{\circ}\text{C}$ is required. The maximum permissible output currents are indicated in the table below. If (upon customer's request) output voltages are different from standard values, the relevant output currents have to be adapted accordingly.

With reduced maximum ambient temperature or with forced cooling, the total output power may exceed 50 W. Customized configurations always need to be checked by a feasibility study first. Please ask Power-One's sales engineers for a proposal appropriate to your specific needs. See also: *Commercial Information: Inquiry Form for Customized Power Supply*.

Table 5: Current allocation with special types

Output voltage all types $U_{o1/2/3 \text{ nom}}$ [V]		Output 1 all types $I_{o1 \text{ max}}$ [A]	Output 2 A...LM 2000 $I_{o2 \text{ max}}$ [A]	Output 2 A...LM 3000 $I_{o2 \text{ max}}$ [A]	Output 3 A...LM 3000 $I_{o3 \text{ max}}$ [A]	Temperature	
						T_A [$^{\circ}\text{C}$]	T_C [$^{\circ}\text{C}$]
	5.1	8.0	4.0	1.8 (2.5 ¹)	1.5	-25...71	-25...95
	12	4.0	2.0	1.5	1.2		
	15	3.4	1.7	1.2	1.0		
	24	2.0	1.0	0.7	0.5		
²	5.1	10.0	4.5	2.1 (2.8 ¹)	1.8	-25...60	-25...90
	12	5.0	2.5	1.7	1.5		
	15	4.0	2.0	1.5	1.3		
	24	2.5	1.3	0.9	0.7		
	5.1	11.0	5.0	2.4 (3.0 ¹)	2.0	-25...50	-25...85
	12	6.0	3.0	2.0	1.7		
	15	4.6	2.3	1.7	1.5		
	24	3.0	1.5	1.0	0.8		

¹ Special high current components required. ² $U_{i \text{ min}}$ has to be increased.

Hold-up Time and Output Response

When the input voltage is switched off, the output voltage will remain high for a certain hold-up time t_h (see fig.: *Output response as a function of input voltage or inhibit control*) before the output voltage falls below $0.95 U_{o \text{ nom}}$. To achieve the hold-up times indicated in fig.: *Typical hold-up time t_h versus relative input voltage at $I_{o \text{ nom}}$* , AM, BM, CM, DM, FM and CMZ, DMZ modules require an external series diode in the input path. This is necessary to prevent the discharge of the input capacitor through the source impedance or other circuits connected to the same source. EM, LM and LMZ modules have a built-in series diode. In AM, BM, CM, DM, FM and CMZ, DMZ modules, no series diode is built-in, since it would generate up to 10 W of additional power loss inside the converter. Consequently the maximum operational ambient temperature would have to be reduced accordingly.

Note: For additional hold-up time see also *Description of Options: V ACFAIL Signal (VME)*.

The behavior of the outputs is similar with either the input voltage applied or the inhibit switched low.

An output voltage overshoot will not occur when the module is turned on or off.

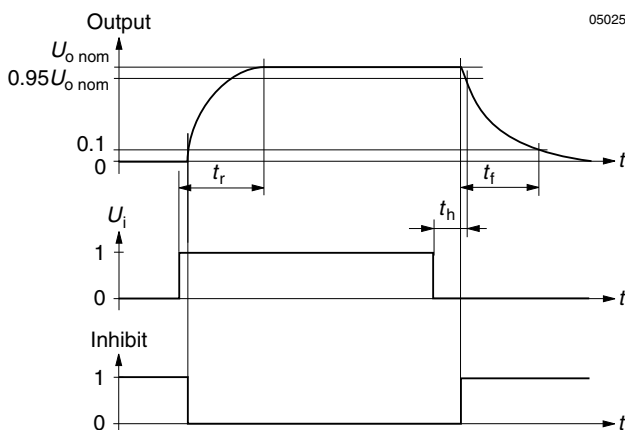


Fig. 7 Output response as a function of input voltage (on/off switching) or inhibit control

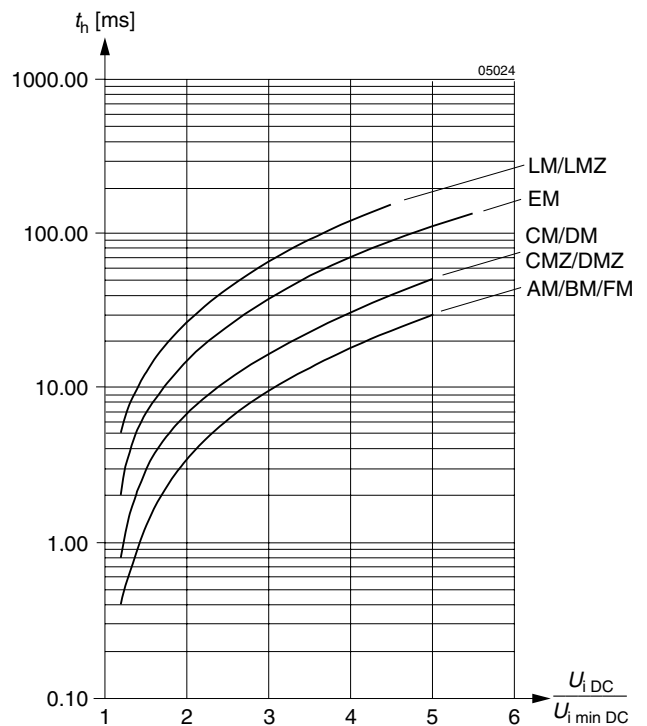


Fig. 8 Typical hold-up time t_h versus relative input voltage at $I_{o \text{ nom}}$

Table 6: Output response time t_r and t_f . Values not applicable for modules equipped with option E.

Type of converter	t_r at $P_o = 0$ and t_f at $P_o = P_{o\ nom}$		t_r and t_f at $P_o = \frac{3}{4} P_{o\ nom}$		t_r at $P_o = P_{o\ nom}$		Unit
	typ	max	typ	max	typ	max	
A...LM 1001-7R and C/D/LMZ 1001-7R	5	10	5	10	10	20	ms
A...LM 1301-7R and C/D/LMZ 1301-7R	10	20	15	30	20	40	
A...LM 1501-7R and C/D/LMZ 1501-7R	5	10	10	20	30	60	
A...LM 1601-7R and C/D/LMZ 1601-7R	15	30	25	50	40	80	
A...LM 1901-7R and C/D/LMZ 1901-7R	65	130	100	200	165	330	
A...LM 2320-7 and C/D/LMZ 2320-7	20	40	30	60	50	100	
A...LM 2540-7 and C/D/LMZ 2540-7	15	30	20	40	35	70	
A...LM 3020-7 and C/D/LMZ 3020-7	55	110	85	170	145	290	
A...LM 3040-7 and C/D/LMZ 3040-7	40	80	60	120	100	200	

Conditions:

R input not used. For multiple output modules the figures indicated in the table above relate to the output which reacts slowest. All outputs are resistively loaded. Variation of the input voltage within $U_{i\ min} \dots U_{i\ max}$ does not influence the values considerably.

Auxiliary Functions

i Inhibit for Remote On and Off

Note: With open i input: Output is disabled ($U_o = \text{off}$).

The outputs of the module may be enabled or disabled by means of a logic signal (TTL, CMOS, etc.) applied between the inhibit input i and the negative pin of output 1 ($Vo1-$). In systems with several units, this feature can be used, for example, to control the activation sequence of the converters. If the inhibit function is not required, connect the inhibit pin 2 to pin 23 to enable the outputs (active low logic, fail safe). For output response refer to: *Hold-up Time and Output Response*.

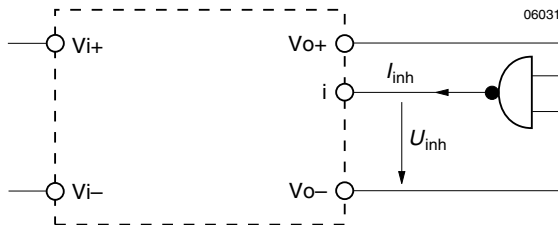


Fig. 9
Definition of U_{inh} and I_{inh} .

Table 7: Inhibit data

Characteristics		Conditions		min	typ	max	Unit
U_{inh}	Inhibit input voltage to keep output voltage	$U_o = \text{on}$	$U_{i\ min} \dots U_{i\ max}$	-50		0.8	V DC
		$U_o = \text{off}$	$T_C\ min \dots T_C\ max$			50	
I_{inh}	Inhibit current	$U_{inh} = 0$		-60	-100	-220	μA

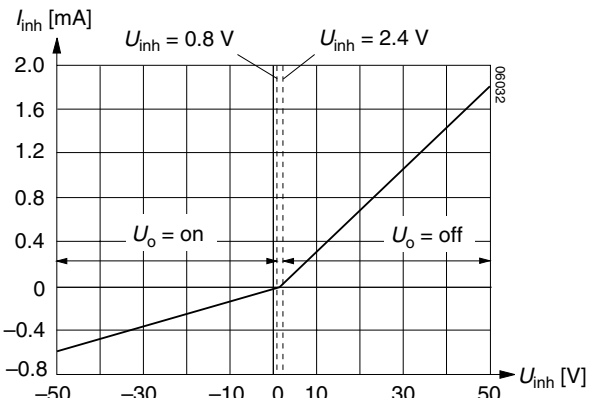


Fig. 10
Typical inhibit current I_{inh} versus inhibit voltage U_{inh}

R-Control for Output Voltage Adjustment

Notes: With open R input, $U_o \approx U_{o\ nom}$. R excludes option P.

As a standard feature, single output modules offer an adjustable output voltage identified by letter R in the type designation.

The output voltage U_{o1} can either be adjusted with an external voltage (U_{ext}) or with an external resistor (R_1 or R_2). The adjustment range is approximative 0...110% of $U_{o\ nom}$. For output voltages $U_o > U_{o\ nom}$, the minimum input voltage according to: *Electrical Input Data* increases proportionally to $U_o/U_{o\ nom}$.

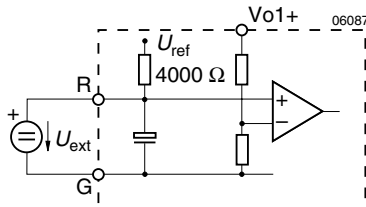


Fig. 11
Voltage adjustment with external voltage U_{ext}

a) $U_o \approx 0...110\% U_{o\ nom}$, using U_{ext} between R (14) and G (17):

$$U_{ext} \approx 2.5\text{ V} \cdot \frac{U_o}{U_{o\ nom}} \quad U_o \approx U_{o\ nom} \cdot \frac{U_{ext}}{2.5\text{ V}}$$

Caution: To prevent damage, U_{ext} should not exceed 8 V, nor be negative.

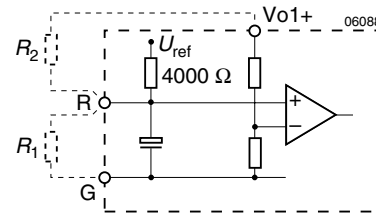


Fig. 12
Voltage adjustment with external resistor R_1 or R_2

b) $U_o \approx 0...100\% U_{o\ nom}$, using R_1 between R (14) and G (17):

$$U_o \approx U_{o\ nom} \cdot \frac{R_1}{R_1 + 4000\ \Omega} \quad R_1 \approx \frac{4000\ \Omega \cdot U_o}{U_{o\ nom} - U_o}$$

c) $U_o \approx U_{o\ nom}...U_{o\ max}$, using R_2 between R (14) and Vo1+ (20):

$$U_{o\ max} = U_{o\ nom} + 10\%$$

$$R_2 \approx \frac{4000\ \Omega \cdot U_o \cdot (U_{o\ nom} - 2.5\text{ V})}{2.5\text{ V} \cdot (U_o - U_{o\ nom})}$$

$$U_o \approx \frac{U_{o\ nom} \cdot 2.5\text{ V} \cdot R_2}{2.5\text{ V} \cdot (R_2 + 4000\ \Omega) - U_{o\ nom} \cdot 4000\ \Omega}$$

Caution: To prevent damage, R_2 should never be less than 47 k Ω .

Note: R inputs of n units with paralleled outputs may be paralleled, too, but if only one external resistor is to be used, its value should be R_1/n , or R_2/n respectively.

Table 8a: R_1 for $U_o < U_{o\ nom}$ (conditions: $U_{i\ nom}$, $I_{o\ nom}$, rounded up to resistor values E 96, $R_2 = \infty$)

$U_{o\ nom} = 5.1\text{ V}$		$U_{o\ nom} = 12\text{ V}$		$U_{o\ nom} = 15\text{ V}$		$U_{o\ nom} = 24\text{ V}$		$U_{o\ nom} = 48\text{ V}$	
U_o [V]	R_1 [k Ω]	U_o [V]	R_1 [k Ω]	U_o [V]	R_1 [k Ω]	U_o [V]	R_1 [k Ω]	U_o [V]	R_1 [k Ω]
0.5	0.432	2.0	0.806	2.0	0.619	4.0	0.806	8.0	0.806
1.0	0.976	3.0	1.33	4.0	1.47	6.0	1.33	12.0	1.33
1.5	1.65	4.0	2.0	6.0	2.67	8.0	2.0	16.0	2.0
2.0	2.61	5.0	2.87	8.0	4.53	10.0	2.87	20.0	2.87
2.5	3.83	6.0	4.02	9.0	6.04	12.0	4.02	24.0	4.02
3.0	5.76	7.0	5.62	10.0	8.06	14.0	5.62	28.0	5.62
3.5	8.66	8.0	8.06	11.0	11.0	16.0	8.06	32.0	8.06
4.0	14.7	9.0	12.1	12.0	16.2	18.0	12.1	36.0	12.1
4.5	30.1	10.0	20.0	13.0	26.1	20.0	20.0	40.0	20.0
5.0	200.0	11.0	44.2	14.0	56.2	22.0	44.2	44.0	44.2

Table 8b: R_2 for $U_o > U_{o\ nom}$ (conditions: $U_{i\ nom}$, $I_{o\ nom}$, rounded up to resistor values E 96, $R_1 = \infty$)

$U_{o\ nom} = 5.1\text{ V}$		$U_{o\ nom} = 12\text{ V}$		$U_{o\ nom} = 15\text{ V}$		$U_{o\ nom} = 24\text{ V}$		$U_{o\ nom} = 48\text{ V}$	
U_o [V]	R_2 [k Ω]	U_o [V]	R_2 [k Ω]	U_o [V]	R_2 [k Ω]	U_o [V]	R_2 [k Ω]	U_o [V]	R_2 [k Ω]
5.15	464	12.1	1780	15.2	1470	24.25	3160	48.5	6810
5.20	215	12.2	909	15.4	750	24.50	1620	49.0	3480
5.25	147	12.3	619	15.6	511	24.75	1100	49.5	2370
5.30	110	12.4	464	15.8	383	25.00	825	50.0	1780
5.35	90.9	12.5	383	16.0	332	25.25	715	50.5	1470
5.40	78.7	12.6	316	16.2	274	25.50	590	51.0	1270
5.45	68.1	12.7	274	16.4	237	25.75	511	51.5	1100
5.50	61.9	12.8	249	16.5	226	26.00	453	52.0	953
		13.0	200			26.25	402	52.5	845
		13.2	169			26.40	383	52.8	806

Display Status of LEDs

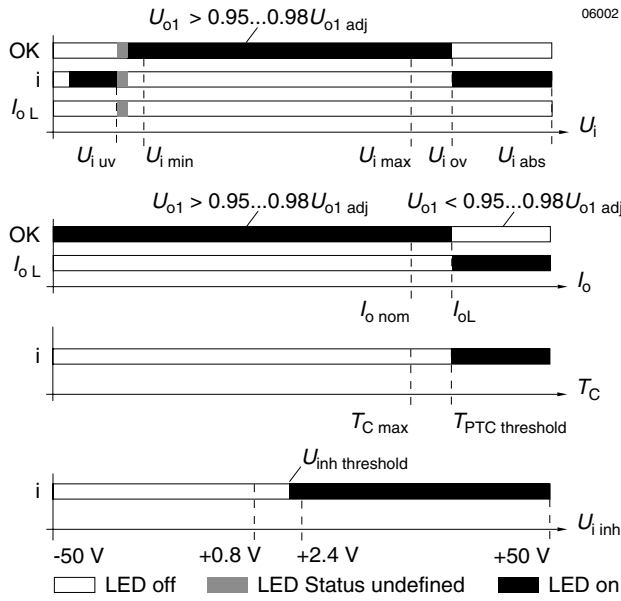


Fig. 13

LEDs "OK" and "i" status versus input voltage

Conditions: I_o ≤ I_{o nom}, T_C ≤ T_{C max}, U_{inh} ≤ 0.8 V

U_{i uv} = undervoltage lock-out, U_{i ov} = overvoltage lock-out

LED "OK" and "I_o L" status versus output current

Conditions: U_{i min}...U_{i max}, T_C ≤ T_{C max}, U_{inh} ≤ 0.8 V

LED "i" versus case temperature

Conditions: U_{i min}...U_{i max}, I_o ≤ I_{o nom}, U_{inh} ≤ 0.8 V

LED "i" versus U_{inh}

Conditions: U_{i min}...U_{i max}, I_o ≤ I_{o nom}, T_C ≤ T_{C max}

Electromagnetic Compatibility (EMC)

A suppressor diode or a metal oxide VDR (depending upon the type) together with an input fuse and an input filter form an effective protection against high input transient voltages

which typically occur in most installations, but especially in battery driven mobile applications. The M series has been successfully tested to the following specifications:

Electromagnetic Immunity

Table 9: Immunity type tests

Phenomenon	Standard ¹	Level	Coupling mode ²	Value applied	Waveform	Source imped.	Test procedure	In oper.	Per-form. ³		
1 MHz burst disturbance	IEC 60255-22-1	III	i/o, i/c, o/o, o/c	2500 V _p	400 damped 1 MHz waves/s	200 Ω	2 s per coupling mode	yes	A		
			+i/-i, +o/-o	1000 V _p							
Voltage surge	IEC 60571-1		-i/c, +i/-i	800 V _p	100 μs	100 Ω	1 pos. and 1 neg. voltage surge per coupling mode	yes	A		
				1500 V _p	50 μs						
				3000 V _p	5 μs						
				4000 V _p	1 μs						
				7000 V _p	100 ns						
Supply related surge	RIA 12	A ⁴	+i/-i	3.5 • U _{batt}	2/20/2 ms	0.2 Ω	1 positive surge	yes	A		
	EN 50155	B		1.5 • U _{batt}	0.1/1/0.1 s						
					1.4 • U _{batt}					1 Ω	
Direct transient	RIA 12 EN 50155 (for EN 50155 levels D, G, H and L only)	C	-i/c, +i/-i	960 V _p	10/100 μs	5 Ω	5 pos. and 5 neg. impulses	yes	A		
		D		1800 V _p	5/50 μs						
		E		3600 V _p	0.5/5 μs	100 Ω					
		F		4800 V _p	0.1/1 μs						
		G		8400 V _p	0.05/0.1 μs						
		Indirect coupled transient		H	-o/c, +o/-o, -o/-i					1800 V _p	5/50 μs
				J						3600 V _p	0.5/5 μs
				K						4800 V _p	0.1/1 μs
L	8400 V _p		0.05/0.1 μs								
Electrostatic discharge (to case)	IEC/EN 61000-4-2	4	contact discharge	8000 V _p	1/50 ns	330 Ω	10 positive and 10 negative discharges	yes	A ⁶		
			air discharge	15000 V _p							
Electromagnetic field	IEC/EN 61000-4-3	x	antenna	20 V/m	AM 80% 1 kHz	n.a.	26...1000 MHz	yes	A ⁵		
Electromagnetic field, pulse modulated	ENV 50204	4		30 V/m	50% duty cycle, 200 Hz repetition frequency		900 ±5 MHz	yes	A		
Electrical fast transient/burst	IEC/EN 61000-4-4	3	direct, i/c, +i/-i	2000 V _p	bursts of 5/50 ns 2.5/5 kHz over 15 ms; burst period: 300 ms	50 Ω	1 min positive 1 min negative transients per coupling mode	yes	A ⁵		
		4		4000 V _p					B		
Surge	IEC/EN 61000-4-5	4	i/c	4000 V _p	1.2/50 μs	12 Ω	5 pos. and 5 neg. surges per coupling mode	yes	A		
		3	+i/-i	2000 V _p		2 Ω					
		x	i/c, +i/-i	2500 V _p	10/700 μs	40 Ω					
Conducted disturbances	IEC/EN 61000-4-6	3	i, o, signal wires	10 V _{rms} (140 dBμV)	AM 80% 1 kHz	150 Ω	0.15...80 MHz	yes	B		

¹ Related and previous standards are referenced in: *Technical Information: Standards*.

² i = input, o = output, c = case.

³ A = Normal operation, no deviation from specifications, B = Temporary deviation from specs possible.

⁴ Only met with extended input voltage range of BM (24 V battery), CM (48 V battery) and EM (110 V battery) types. These units are available on customer's request. Standard DM units (110 V battery) will not be damaged, but overvoltage lock-out will occur during the surge.

⁵ For converters with 3 output voltages, temporary deviation from specs possible.

⁶ With class II equipment (CMZ, DMZ, LMZ) only met if case is earthed.

Electromagnetic Emissions

Table 10: Emissions at $U_{i\text{nom}}$ and $I_{o\text{nom}}$ (LM/LMZ at 230 V AC)

Types	Level		
	CISPR11/EN 55011 CISPR22/EN 55022		CISPR14/ EN 55014
	≤30 MHz	≥30 MHz	≥30 MHz
AM 1000	B	B	<limit
AM 2000	B	B	<limit
AM 3000	B	B	<limit
BM 1000	B	A	<limit
BM 2000	B	B	<limit
BM 3000	B	A	<limit
CM 1000	B	B	<limit
CM 2000	B	B	<limit
CM 3000	B	A	<limit
DM 1000	B	B	<limit
DM 2000	B	B	<limit
DM 3000	B	A	<limit
EM 1000	B	B	<limit
EM 2000	B	B	-
EM 3000	B	A	-
FM 1000	B	A	<limit
FM 2000	B	A	>limit
FM 3000	B	A	-
LM 1000	B	B	<limit
LM 2000	B	B	<limit
LM 3000	B	A	<limit
CMZ 1000	B	A	<limit
CMZ 2000	-	-	-
CMZ 3000	A	>A	>limit
DMZ 1000	-	-	-
DMZ 2000	-	-	-
DMZ 3000	A	A	>limit
LMZ 1000	B	A	<limit
LMZ 2000	-	-	-
LMZ 3000	A	A	>limit

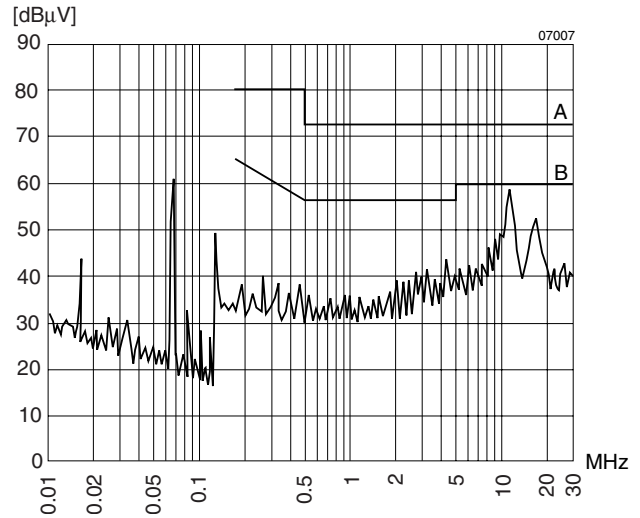


Fig. 14
Typical disturbance voltage (quasi-peak) at the input according to CISPR 11/22 and EN 55011/22, measured at $U_{i\text{nom}}$ and $I_{o\text{nom}}$.

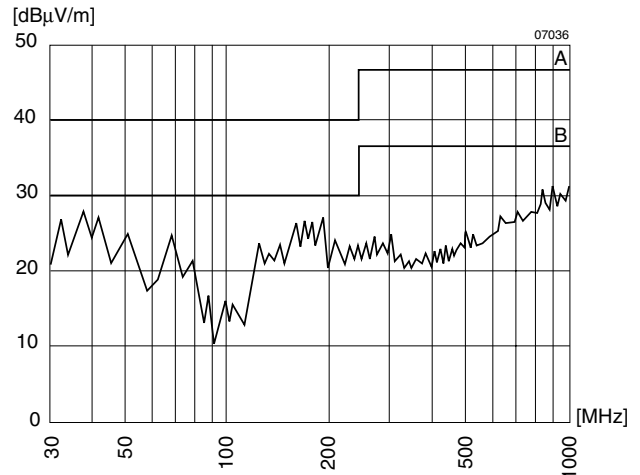


Fig. 15
Typical radiated electromagnetic field strength (quasi-peak) according to CISPR 11/22 and EN 55011/22, normalized to a distance of 10 m, measured at $U_{i\text{nom}}$ and $I_{o\text{nom}}$.

Immunity to Environmental Conditions

Table 11: Mechanical stress

Test method		Standard	Test conditions		Status
Ca	Damp heat steady state	IEC/DIN IEC 60068-2-3 MIL-STD-810D section 507.2	Temperature: Relative humidity: Duration:	40 ±2 °C 93 +2/-3 % 56 days	Unit not operating
Ea	Shock (half-sinusoidal)	IEC/EN/DIN EN 60068-2-27 MIL-STD-810D section 516.3	Acceleration amplitude: Bump duration: Number of bumps:	100 g _n = 981 m/s ² 6 ms 18 (3 each direction)	Unit operating
Eb	Bump (half-sinusoidal)	IEC/EN/DIN EN 60068-2-29 MIL-STD-810D section 516.3	Acceleration amplitude: Bump duration: Number of bumps:	40 g _n = 392 m/s ² 6 ms 6000 (1000 each direction)	Unit operating
Fc	Vibration (sinusoidal)	IEC/EN/DIN EN 60068-2-6 MIL-STD-810D section 514.3	Acceleration amplitude: Frequency (1 Oct/min): Test duration:	0.35 mm (10...60 Hz) 5 g _n = 49 m/s ² (60...2000 Hz) 10...2000 Hz 7.5 h (2.5 h each axis)	Unit operating
Fda	Random vibration wide band Reproducibility high	IEC 60068-2-35 DIN 40046 part 23	Acceleration spectral density: Frequency band: Acceleration magnitude: Test duration:	0.05 g _n ² /Hz 20...500 Hz 4.9 g _{n rms} 3 h (1 h each axis)	Unit operating
Kb	Salt mist, cyclic (sodium chloride NaCl solution)	IEC/EN/DIN IEC 60068-2-52	Concentration: Duration: Storage: Storage duration: Number of cycles:	5% (30 °C) 2 h per cycle 40 °C, 93% rel. humidity 22 h per cycle 3	Unit not operating

Table 12: Temperature specifications, valid for an air pressure of 800...1200 hPa (800...1200 mbar)

Temperature		Standard -7		Option -9		Unit	
Characteristics	Conditions	min	max	min	max		
T _A	Ambient temperature ¹	Operational ²	-25	71	-40	71	°C
T _C	Case temperature ³		-25	95	-40	95	
T _S	Storage temperature ¹	Non operational	-40	100	-55	100	

¹ MIL-STD-810D section 501.2 and 502.2.

² See: *Thermal Considerations*.

³ Overtemperature lock-out at T_C >95 °C (PTC).

Table 13: MTBF

Values at specified case temperature	Module types	Ground benign	Ground fixed		Ground mobile	Unit
		40 °C	40 °C	70 °C	50 °C	
MTBF ¹	A...LM 1000 and C...LMZ 1000 A...LM 2000 and C...LMZ 2000 A...LM 3000 and C...LMZ 3000	320'000 255'000 225'000	130'000 105'000 80'000	40'000 32'000 28'000	35'000 28'000 25'000	h
Device hours ²	A...LM 1000 and C...LMZ 1000 A...LM 2000 and C...LMZ 2000 A...LM 3000 and C...LMZ 3000		880'000 720'000 740'000			

¹ Calculated in accordance with MIL-HDBK-217E (calculation according to edition F would show even better results)

² Statistical values, based on an average of 4300 working hours per year and in general field use, over 3 years

Mechanical Data

Dimensions in mm. Tolerances ± 0.3 mm unless otherwise indicated.

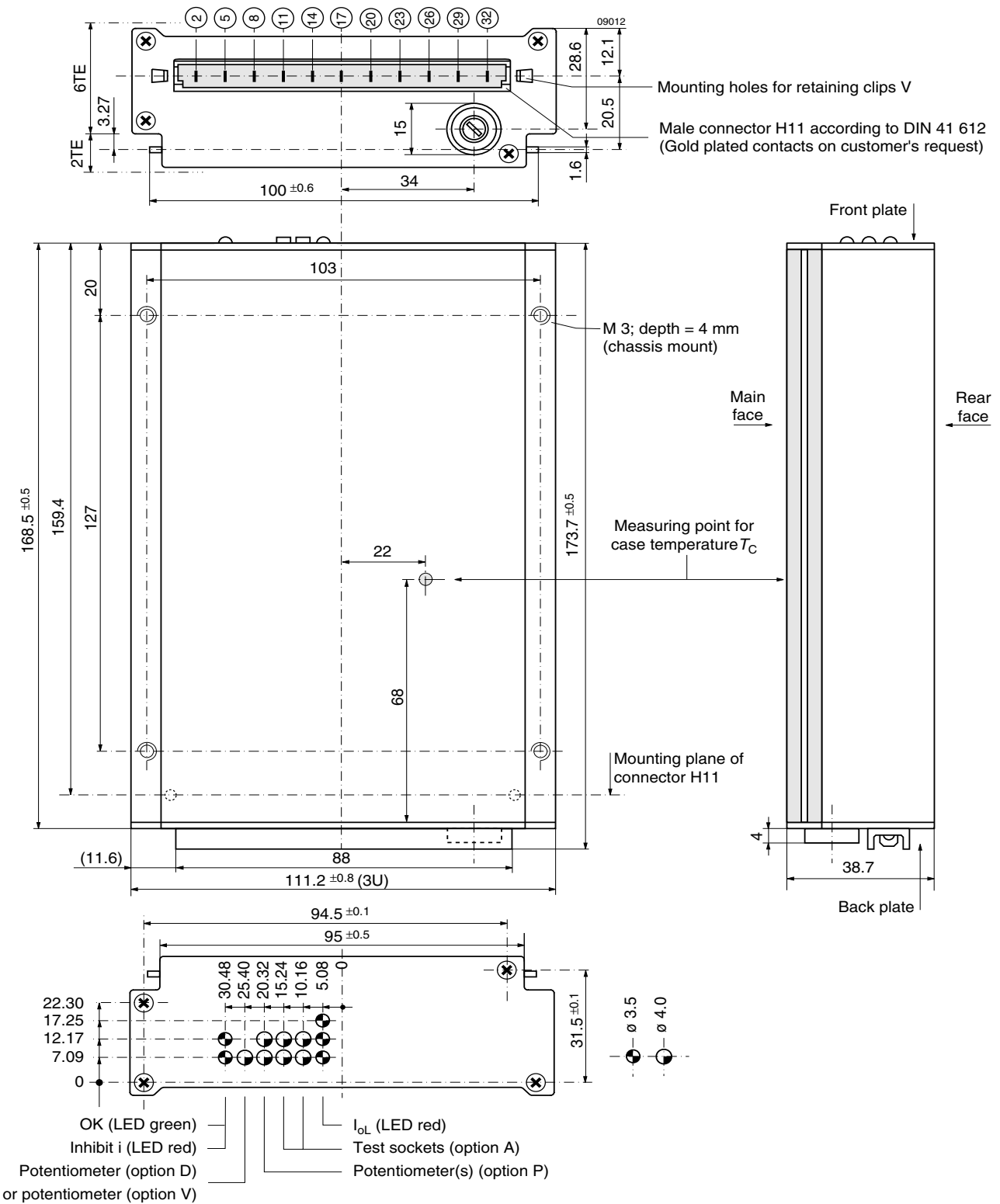


Fig. 16
DC-DC converter in case M02, weight 770 g (approx.).
Case aluminium, black finish and self cooling.

Note: Long case, elongated by 60 mm for 220 mm rack depth, is available on request.

Safety and Installation Instructions

Connector Pin Allocation

The connector pin allocation table defines the electrical potentials and the physical pin positions on the H11 connector. Pin no. 26, the protective earth pin present on all AM...LM (class I equipment) DC-DC converters is leading, ensuring that it makes contact with the female connector first.

Table 14: Pin allocation

Electrical determination	A...LM 1000		C...LMZ 1000		A...LM 2000		C...LMZ 2000		A...LM 3000		C...LMZ 3000	
	Pin	Ident	Pin	Ident	Pin	Ident	Pin	Ident	Pin	Ident	Pin	Ident
Inhibit control input	2	i	2	i	2	i	2	i	2	i	2	i
Safe Data or ACFAIL	5	D or V	5	D or V	5	D or V	5	D or V	5	D or V	5	D or V
Output voltage (positive)	8	Vo1+	8	Vo1+	8		8		8	Vo3+	8	Vo3+
Output voltage (negative)	11	Vo1-	11	Vo1-	11		11		11	Vo3-	11	Vo3-
Control input + ¹	14	R	14	R								
Control input -	17	G	17	G								
Output voltage (positive)					14	Vo2+	14	Vo2+	14	Vo2+	14	Vo2+
Output voltage (negative)					17	Vo2-	17	Vo2-	17	Vo2-	17	Vo2-
Output voltage (positive)	20	Vo1+	20	Vo1+	20	Vo1+	20	Vo1+	20	Vo1+	20	Vo1+
Output voltage (negative)	23	Vo1-	23	Vo1-	23	Vo1-	23	Vo1-	23	Vo1-	23	Vo1-
Protective earthing ²	26	⊕			26	⊕			26	⊕		
DC input voltage ³	29	Vi+	29	Vi+	29	Vi+	29	Vi+	29	Vi+	29	Vi+
DC input voltage	32	Vi-	32	Vi-	32	Vi-	32	Vi-	32	Vi-	32	Vi-
AC input voltage ⁴	29	N ≈	29	N ≈	29	N ≈	29	N ≈	29	N ≈	29	N ≈
AC input voltage	32	P ≈	32	P ≈	32	P ≈	32	P ≈	32	P ≈	32	P ≈

¹ This function is not simultaneously available with option P

² Leading pin (pregrounding)

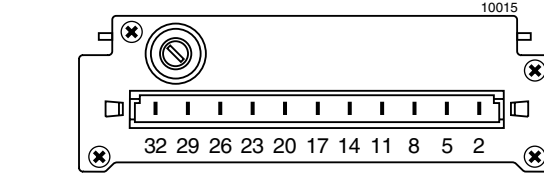


Fig. 17
View of male H11 connector.

³ AM, BM, CM, DM, EM, FM and CMZ, DMZ types

⁴ LM and LMZ types

Installation Instructions

The M series DC-DC converters are components, intended exclusively for inclusion within other equipment by an industrial assembly operation or by professional installers. Installation must strictly follow the national safety regulations in compliance with the enclosure, mounting, creepage, clearance, casualty, markings and segregation requirements of the end-use application. See also: *Technical Information: Installation and Application*.

Connection to the system shall be made via the female connector H11 (see *Accessories*). Other installation methods may not meet the safety requirements.

AM...LM DC-DC converters (class I equipment) are provided with pin no. 26 (⊕), which is reliably connected with their case. For safety reasons it is essential to connect this pin with the protective earth of the supply system if required in: *Safety of operator accessible output circuit*.

An input fuse is built-in in the connection from pin no. 32 (Vi- or P≈) of the unit. Since this fuse is designed to protect the unit in case of an overcurrent and does not necessarily cover all customer needs, an external fuse suitable for the application and in compliance with the local requirements might be necessary in the wiring to one or both input pins (no. 29 and/or no. 32).

Important: Whenever the inhibit function is not in use, pin 2 (i) should be connected to pin 23 (Vo1-) to enable the output(s).

Do not open the modules, or guarantee will be invalidated.

Make sure that there is sufficient air flow possible for convection cooling. This should be verified by measuring the case temperature when the unit is installed and operated in the end-use application. The maximum specified case temperature $T_{C\ max}$ shall not be exceeded. See also: *Thermal Considerations*.

If the end-product is to be UL certified, the temperature of the main isolation transformer should be evaluated as part of the end-product investigation.

Protection Degree

Condition: Female connector fitted to the unit.

IP 40: All units, except those with options P, A or K, and except those with option D or V with potentiometer.

IP 30: All units fitted with options A or K, except those with option P, and except those with option D or V with potentiometer.

IP 20: All units fitted with option P, or with option D or V with potentiometer.

Cleaning Agents

In order to avoid possible damage, any penetration of liquids (e.g. cleaning fluids) is to be prevented, since the power supplies are not hermetically sealed.

Isolation

The electric strength test is performed as a factory test in accordance with IEC/EN 60950 and UL 1950 and should not be repeated in the field. Power-One will not honour any

guarantee/warranty claims resulting from electric strength field tests.

Table 15: Isolation

Characteristic		Input to case class I	Input to case class II	Input to output class I	Input to output class II	Output to case	Output to case option H	Output to output	Unit
Electric strength test voltage	Required according to IEC/EN 60950	1.5	3.0	3.0 ¹	3.0	0.5	0.5	-	kV _{rms}
		2.1	4.2	4.2 ¹	4.2	0.7	0.7	-	kV DC
	Actual factory test 1 s	2.8	5.6	5.6 ¹	5.6	1.4	2.8	0.3	
	AC test voltage equivalent to actual factory test	2.0	4.0	4.0 ¹	4.0	1.0	2.0	0.2	kV _{rms}
Insulation resistance at 500 V DC		>300	>300	>300	>300	>300	>300	>100 ²	MΩ

¹ In accordance with IEC/EN 60950 only subassemblies are tested in factory with this voltage.

² Tested at 300 V DC.

For creepage distances and clearances refer to: *Technical Information: Safety*.

Safety of Operator Accessible Output Circuit

If the output circuit of a DC-DC converter is operator accessible, it shall be an SELV circuit according to the IEC/EN 60950 related safety standards.

Since the M series DC-DC converters provide double or reinforced insulation between input and output, based on a rated primary input voltage of 250 V AC and 400 V DC (for class II units 250 V AC and DC), only operational insulation is needed between the AC mains and the input of the DC-DC converter. This means that there is no need for an electrical isolation between the AC mains circuit and the DC-DC converter input circuit to cause the output of an M series

DC-DC converter to be an SELV circuit. Only voltage adaption and rectification to the specified input voltage range of the DC-DC converter is needed.

The following table shows a possible installation configuration, compliance with which causes the output circuit of the DC-DC converter to be an SELV circuit according to IEC/EN 60950 up to a configured output voltage (sum of nominal voltages if in series or +/- configuration) of 36 V.

However, it is the sole responsibility of the installer to assure the compliance with the relevant and applicable safety regulations. More information is given in: *Technical Information: Safety*.

Table 16: Safety concept leading to an SELV output circuit

Conditions	Front end			DC-DC converter		Result
Nominal supply voltage	Minimum required grade of insulation, to be provided by the AC-DC front end, including mains supplied battery charger	Maximum rated DC output voltage from the front end	Minimum required safety status of the front end output circuit	Equipment	Measures to achieve the specified safety status of the output circuit	Safety status of the DC-DC converter output circuit
Mains ≤250 V AC	Operational (i.e. there is no need for electrical isolation between the mains supply voltage and the DC-DC converter input voltage)	≤400 V ¹ (The rated voltage between any input pin and earth can be up to 250 V AC or 400 V DC)	Primary circuit	Class I (A...LM)	Double or reinforced insulation, based on 250 V AC and 400 V DC (provided by the DC-DC converter) and earthed case ²	SELV circuit
		≤250 V ¹ (The rated voltage between any input pin and earth can be up to 250 V AC or DC)		Class II (CMZ, DMZ, LMZ)	Double or reinforced insulation, based on 250 V AC or DC (provided by the DC-DC converter)	

¹ The front end output voltage should match the specified operating input voltage range of the DC-DC converter.

² The earth connection has to be provided by the installer according to the relevant safety standard, e.g. IEC/EN 60950.

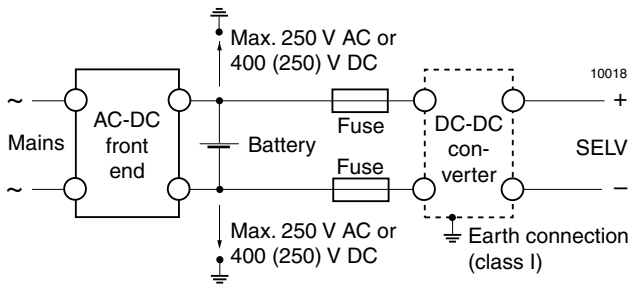


Fig. 18
Schematic safety concept.

Use earth connection as per table: *Safety concept leading to an SELV output circuit.* Use fuse if required by the application. See also: *Installation Instructions.*

Standards and Approvals

AM...LM DC-DC converters correspond to class I equipment, while CMZ, DMZ, LMZ types correspond to class II equipment. All types are UL recognized according to UL 1950, UL recognized for Canada to CAN/CSA C22.2 No. 950-95 and LGA approved to IEC/EN 60950 standards.

The units have been evaluated for:

- Building in
- Basic insulation between input and case and double or reinforced insulation between input and output, based on 250 V AC and 400 V DC (class I equipment)
- Double or reinforced insulation between input and case and between input and output, based on 250 V AC and DC (class II equipment)
- Operational insulation between output(s) and case
- Operational insulation between the outputs
- The use in a pollution degree 2 environment
- Connecting the input to a primary or secondary circuit with a maximum transient rating of 2500 V

The DC-DC converters are subject to manufacturing surveillance in accordance with the above mentioned UL, CSA, EN and with ISO 9001 standards.

Description of Options

Table 17: Survey of options

Option	Function of option	Characteristic
-9	Extended operational ambient temperature range	$T_A = -40...71^\circ\text{C}$
A	Test sockets at front panel for check of output voltage	U_o internally measured at the connector terminals
E	Electronic inrush current limitation circuitry	Active inrush current limitation for CM, EM, LM, CMZ, LMZ
P ¹	Potentiometer for fine adjustment of output voltage	Adjustment range $\pm 5\%$ of $U_{o, \text{nom}}$, excludes R input
F	Input fuse built-in inside case	Fuse not externally accessible
H	Enhanced output to case electric strength test voltage	2000 V AC (standard: 1000 V AC)
D ²	Input and/or output undervoltage monitoring circuitry	Safe data signal output (D0...D9)
V ^{2,3}	Input and/or output undervoltage monitoring circuitry	ACFAIL signal according to VME specifications (V0, V2, V3)

¹ Function R excludes option P and vice versa

² Option D excludes option V and vice versa

³ Only available if main output voltage $U_{o1} = 5.1\text{ V}$

-9 Extended Temperature Range

Option -9 extends the operational ambient temperature range from $-25...71^\circ\text{C}$ (standard) to $-40...71^\circ\text{C}$. The power supplies provide full nominal output power with convection cooling.

A Test Sockets

Test sockets (pin $\varnothing = 2\text{ mm}$, distance $d = 5.08\text{ mm}$) are located at the front of the module. The output voltage is sensed at the connector pins inside the module.

Table 18: Configuration of option A and option P

Type of option	AM...LM/CMZ...LMZ 1000		AM...LM/CMZ...LMZ 2000		AM...LM/CMZ...LMZ 3000		
	Output 1		Output 1	Output 2	Output 1	Output 2	Output 3
Potentiometer ¹	yes		yes	yes	yes	no	no
Test sockets	yes		yes	yes	yes	no	no

¹ AM...LM 1000 types equipped with option P do not provide the R input simultaneously, pins 14 and 17 are not connected.

P Potentiometer

Optionally built-in multi-turn potentiometers provide an output voltage adjustment range of minimum $\pm 5\%$ of $U_{o, \text{nom}}$ and are accessible through holes in the front cover. Compensation of voltage drop across connector and wiring becomes easily achievable. For output voltages $U_o > U_{o, \text{nom}}$, the minimum input voltage according to: *Electrical Input Data* increases proportionally to $U_o/U_{o, \text{nom}}$.

Note: Potentiometers are not recommended for mobile applications.

E Electronic Inrush Current Limitation

Available for CM, EM, LM and CMZ, LMZ types.

The standard version of the modules CM, DM, EM, LM as well as CMZ, DMZ, LMZ include a passive inrush current limitation in the form of a NTC resistor.

For applications which require an improved inrush current limitation, an active electronic circuit as shown in fig. *Option E block diagram* has been developed. Typical inrush current waveforms of units equipped with this option are shown below.

CM and CMZ units meet the CEPT/ETSI standards for 48 V DC supply voltage according to ETS 300132-2 if fitted with option E combined with option D6 (input voltage monitoring). Option D6, externally adjustable via potentiometer, is necessary to disable the converter at input voltages below the actual service ranges, avoiding an excessive input current when the input voltage is raised slowly according to ETS 300132-2. Option D6 threshold level $U_i + U_{hi}$ (refer to description of option D) should be adjusted to 36.0...40.5 V for 48 V DC nominal supply voltage (for 60 V DC systems, threshold should be set to 44.0...50.0 V DC). The D output (pin 5) should be connected to the inhibit (pin 2). For applications where potentiometers are not allowed refer to option D9.

Table 19: Inrush current characteristics with option E

Characteristic		CM, CMZ at $U_i = 110$ V DC		EM, LM, LMZ at $U_i = 110$ V DC		EM, LM, LMZ at $U_i = 372$ V DC		Unit
		typ	max	typ	max	typ	max	
$I_{inr p}$	Peak inrush current	6.5	8	2.2	4	7.3	10	A
t_{inr}	Inrush current duration	22	30	10	20	20	40	ms

Precautions:

In order to avoid overload of the series resistor R_1 the on/off switching cycle should be limited to 12 s if switched on/off continuously. There should not be more than 10 start-up cycles within 20 s at a case temperature of 25°C.

If CM and CMZ types are driven by input voltages below 35 V DC or LM and LMZ types below 100 V AC, the maximum case temperature should be derated by 10 K or the total output power should be derated by 20%. EM, LM and LMZ units driven by DC input voltages do not need to be derated within the full specified input voltage range.

Availability:

Option E is available for CM, EM, LM and CMZ, LMZ modules with a nominal output power of 51 W maximum.

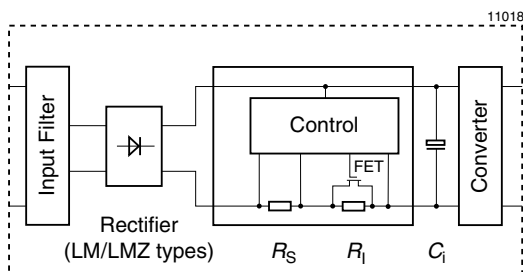


Fig. 19
Option E block diagram

F Fuse Not Accessible

The standard M units have a fuseholder containing a 5 × 20 mm fuse which is externally accessible and to be found in the back plate near the connector. Some applications require an inaccessible fuse. Option F provides a fuse mounted directly onto the main PCB inside the case.

The full self-protecting functions of the module do normally not lead to broken fuses, except as a result of inverse polarity at the input of an AM, BM, CM, FM or CMZ type or if a power component inside fails (switching transistor, free-wheeling diode, etc). In such cases the defective unit has to be returned to Power-One for repair.

H Enhanced Electric Strength Test

Electric strength test voltage output to case 2800 V DC (2000 V AC) instead of 1400 V DC (1000 V AC).

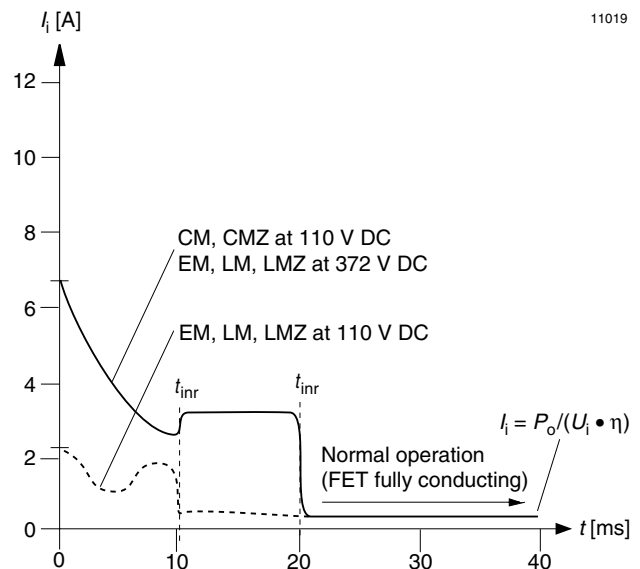


Fig. 20
Typical inrush current waveforms of CM, CMZ, EM, LM and LMZ DC-DC converter with option E

D Undervoltage Monitor

The input and/or output undervoltage monitoring circuit operates independently of the built-in input undervoltage lock-out circuit. A logic "low" (JFET output) or "high" signal (NPN output) is generated at pin 5 as soon as one of the monitored voltages drops below the preselected threshold level U_t . The return for this signal is Vo1- (pin 23). The D output recovers when the monitored voltage(s) exceed(s) $U_t + U_h$.

The threshold level U_t is either adjustable by a potentiometer, accessible through a hole in the front cover, or is factory adjusted to a fixed value specified by the customer.

Option D exists in various versions D0...D9 as shown in the following table.

Table 20: Undervoltage monitor functions

Output type		Monitoring		Minimum adjustment range of threshold level U_t		Typical hysteresis U_h [% of U_t] for $U_{t\ min} \dots U_{t\ max}$	
JFET	NPN	U_i	U_{o1}	U_{ti}	U_{to}	U_{hi}	U_{ho}
D1	D5	no	yes	–	3.5 V...48 V ¹	–	2.3...1
D2	D6	yes	no	$U_{i\ min} \dots U_{i\ max}$ ¹	–	3.0...0.5	–
D3	D7	yes	yes	$U_{i\ min} \dots U_{i\ max}$ ¹	$0.95 \dots 0.98 U_{o1}$ ²	3.0...0.5	"0"
D4	D8	no	yes	–	$0.95 \dots 0.98 U_{o1}$ ²	–	"0"
D0	D9	no	yes	–	$3.5 V \dots 48 V$ ³	–	1.8...1
		yes	no	$U_{i\ min} \dots U_{i\ max}$ ^{3,4}	–	2.2...0.4	–
		yes	yes	$U_{i\ min} \dots U_{i\ max}$ ^{3,4}	$0.95 \dots 0.98 U_{o1}$ ²	2.2...0.4	"0"

¹ Threshold level adjustable by potentiometer (not recommended for mobile applications)

² Fixed value between 95% and 98% of U_{o1} (tracking)

³ Fixed value, resistor-adjusted according to customer's specifications $\pm 2\%$ at 25°C; individual type number is determined by Power-One

⁴ Adjusted at $I_{o\ nom}$

JFET output (D0...D4):

Connector pin D is internally connected via the drain-source path of a JFET (self-conducting type) to the negative potential of output 1. $U_D \leq 0.4$ V (logic low) corresponds to a monitored voltage level (U_i and/or U_{o1}) $< U_t$. The current I_D through the JFET should not exceed 2.5 mA. The JFET is protected by a 0.5 W Zener diode of 8.2 V against external overvoltages.

U_i, U_{o1} status	D output, U_D
U_i or $U_{o1} < U_t$	low, L, $U_D \leq 0.4$ V at $I_D = 2.5$ mA
U_i and $U_{o1} > U_t + U_h$	high, H, $I_D \leq 25$ μ A at $U_D = 5.25$ V

NPN output (D5...D9):

Connector pin D is internally connected via the collector-emitter path of a NPN transistor to the negative potential of output 1. $U_D \leq 0.4$ V (logic low) corresponds to a monitored voltage level (U_i and/or U_{o1}) $> U_t + U_h$. The current I_D through the open collector should not exceed 20 mA. The NPN output is not protected against external overvoltages. U_D should not exceed 40 V.

U_i, U_{o1} status	D output, U_D
U_i or $U_{o1} < U_t$	high, H, $I_D \leq 25$ μ A at $U_D = 40$ V
U_i and $U_{o1} > U_t + U_h$	low, L, $U_D \leq 0.4$ V at $I_D = 20$ mA

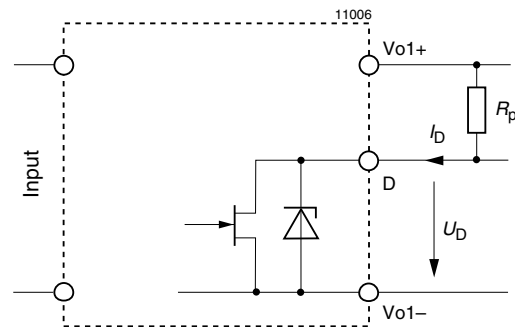


Fig. 21 Options D0...D4, JFET output

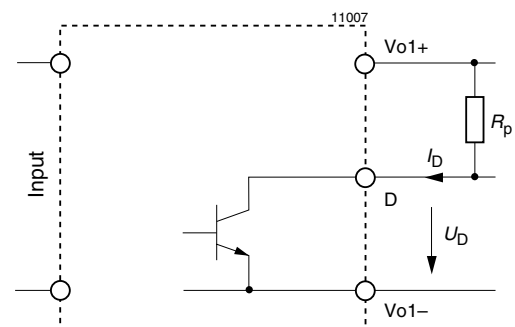


Fig. 22 Options D5...D9, NPN output

Threshold tolerances and hysteresis:

If U_i is monitored, the internal input voltage after the input filter and rectifier (EM, LM and LMZ types) is measured. Consequently this voltage differs from the voltage at the connector pins by the voltage drop ΔU_{ti} across input filter and rectifier. The threshold level of the D0 and D9 options is factory adjusted at nominal output current $I_{o\ nom}$ and at $T_A = 25^\circ\text{C}$. The value of ΔU_{ti} depends upon the input voltage range (AM, BM, ...), threshold level U_t , temperature and input current. The input current is a function of the input voltage and the output power.

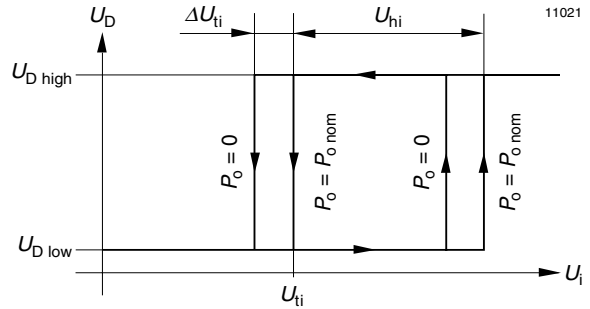
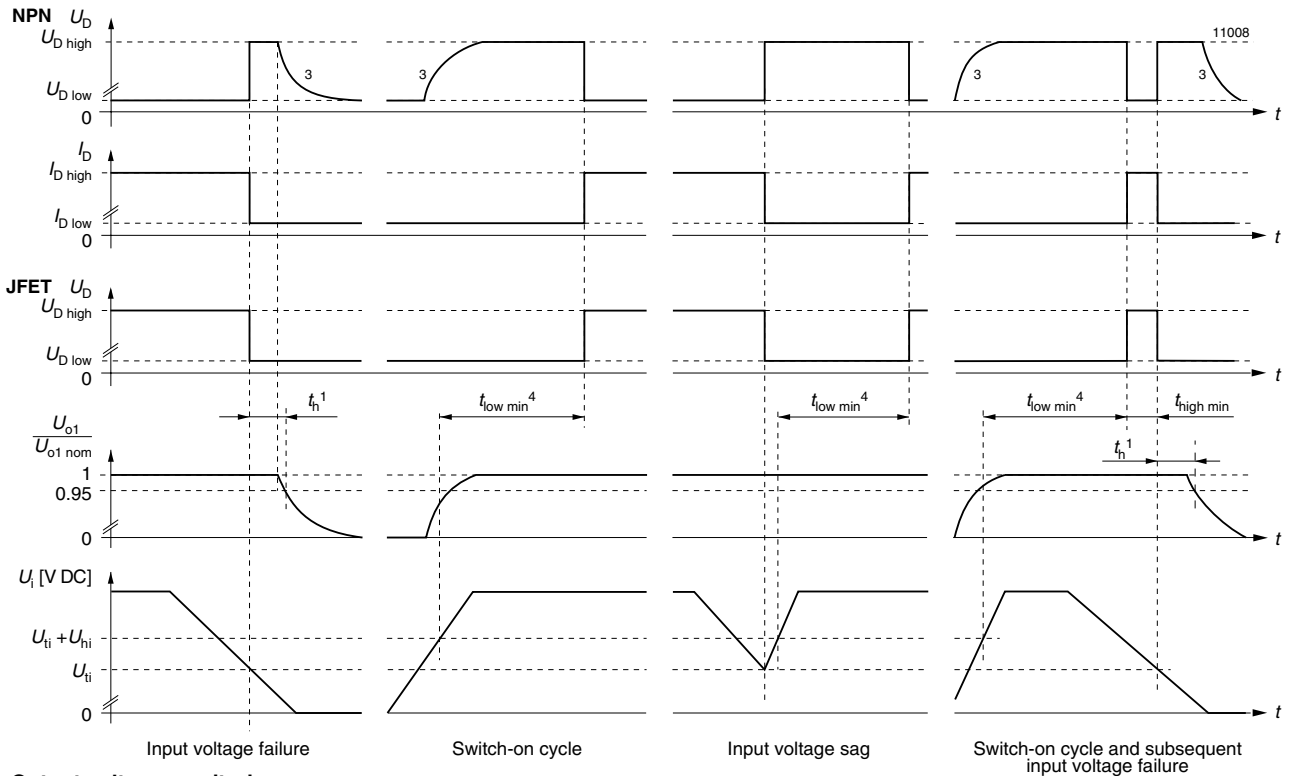
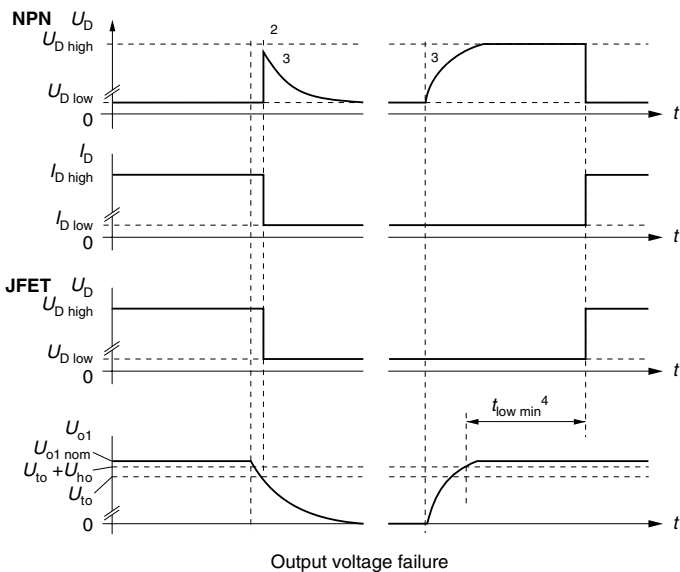


Fig. 23
Definition of U_{ti} , ΔU_{ti} and U_{hi} (JFET output)

Input voltage monitoring



Output voltage monitoring



- 1 See: *Electrical Output Data*, for hold-up time.
- 2 With output voltage monitoring the hold-up time $t_h = 0$
- 3 The D signal remains high if the D output is connected to an external source.
- 4 $t_{low\ min} = 40 \dots 200$ ms, typically 80 ms

Fig. 24
Relationship between U_i , U_{o1} , U_D , I_D and $U_{o1}/U_{o\ nom}$ versus time.

V ACFAIL Signal (VME)

Available for units with $U_{o1} = 5.1$ V. This option defines an undervoltage monitoring circuit for the input or the input and main output voltage equivalent to option D and generates the ACFAIL signal (V signal) which conforms to the VME standard. The low state level of the ACFAIL signal is specified at a sink current of $I_V = 48$ mA to $U_V \leq 0.6$ V (open-collector output of a NPN transistor). The pull-up resistor feeding the open-collector output should be placed on the VME backplane.

After the ACFAIL signal has gone low, the VME standard requires a hold-up time t_h of at least 4 ms before the 5.1 V output drops to 4.875 V when the 5.1 V output is fully loaded. This hold-up time t_h is provided by the internal input capacitance. Consequently the working input voltage and the threshold level U_{ti} should be adequately above the minimum input voltage $U_{i\min}$ of the converter so that enough energy is remaining in the input capacitance. If the input voltage is below the required level, an external hold-up capacitor ($C_{i\text{ext}}$) should be added.

Formula for threshold level for desired value of t_h :

$$U_{ti} = \sqrt{\frac{2 \cdot P_o \cdot (t_h + 0.3 \text{ ms}) \cdot 100}{C_{i\min} \cdot \eta}} + U_{i\min}^2$$

Table 21: Available internal input capacitance and factory potentiometer setting of U_{ti} with resulting hold-up time

Types	AM	BM	CM/CMZ	DM/DMZ	EM	FM	LM/LMZ	Unit
$C_{i\min}$	2.6	0.67	0.37	0.14	0.14	0.37	0.14	mF
U_{ti}	9.5	19.5	39	61	104	39	120	V DC
t_h	0.34	0.69	1.92	1.73	6.69	2.92	8.18	ms

Option V operates independently of the built-in input undervoltage lock-out circuit. A logic "low" signal is generated at pin 5 as soon as one of the monitored voltages drops below the preselected threshold level U_t . The return for this signal is Vo1- (pin 23). The V output recovers when the monitored

Formula for additional external input capacitor

$$C_{i\text{ext}} = \frac{2 \cdot P_o \cdot (t_h + 0.3 \text{ ms}) \cdot 100}{\eta \cdot (U_{ti}^2 - U_{i\min}^2)} - C_{i\min}$$

where as:

$C_{i\min}$ = minimum internal input capacitance [mF], according to the table below

$C_{i\text{ext}}$ = external input capacitance [mF]

P_o = output power [W]

η = efficiency [%]

t_h = hold-up time [ms]

$U_{i\min}$ = minimum input voltage [V]

U_{ti} = threshold level [V]

Remarks: The threshold level U_{ti} of option V2 and V3 is adjusted during manufacture to a value according to the table below. A decoupling diode should be connected in series with the input of AM, BM, CM, DM and FM converters to avoid the input capacitance discharging through other loads connected to the same source voltage. If LM or LMZ units are AC powered, an external input capacitor cannot be applied unless an additional rectifier is provided.

Table 22: Undervoltage monitor functions

V output (VME compatible)	Monitoring		Minimum adjustment range of threshold level U_t		Typical hysteresis U_h [% of U_t] for $U_{t\min} \dots U_{t\max}$	
	U_i	U_{o1}	U_{ti}	U_{to}	U_{hi}	U_{ho}
V2	yes	no	$U_{i\min} \dots U_{i\max}^1$	-	3.0...0.5	-
V3	yes	yes	$U_{i\min} \dots U_{i\max}^1$	$0.95 \dots 0.98 U_{o1}^2$	3.0...0.5	"0"
V0	yes	no	$U_{i\min} \dots U_{i\max}^{3,4}$	-	2.2...0.4	-
	yes	yes	$U_{i\min} \dots U_{i\max}^{3,4}$	$0.95 \dots 0.98 U_{o1}^2$	2.2...0.4	"0"

¹ Threshold level adjustable by potentiometer (not recommended for mobile applications). ² Fixed value between 95% and 98% of U_{o1} (tracking), output undervoltage monitoring is not a requirement of VME standard. ³ Adjusted at $I_{o\text{nom}}$.

⁴ Fixed value, resistor-adjusted ($\pm 2\%$ at 25°C) acc. to customer's specifications; individual type number is determined by Power-One.

V output (V0, V2, V3):

Connector pin V is internally connected to the open collector of a NPN transistor. The emitter is connected to the negative potential of output 1. $U_V \leq 0.6$ V (logic low) corresponds to a monitored voltage level (U_i and/or U_{o1}) $< U_t$. The current I_V through the open collector should not exceed 50 mA. The NPN output is not protected against external overvoltages. U_V should not exceed 80 V.

U_i, U_{o1} status	V output, U_V
U_i or $U_{o1} < U_t$	low, L, $U_V \leq 0.6$ V at $I_V = 50$ mA
U_i and $U_{o1} > U_t + U_h$	high, H, $I_V \leq 25$ μA at $U_V = 5.1$ V

voltage(s) exceed(s) $U_t + U_h$. The threshold level U_t is either adjustable by a potentiometer, accessible through a hole in the front cover, or is factory adjusted to a determined customer specified value.

Versions V0, V2 and V3 are available as shown below.

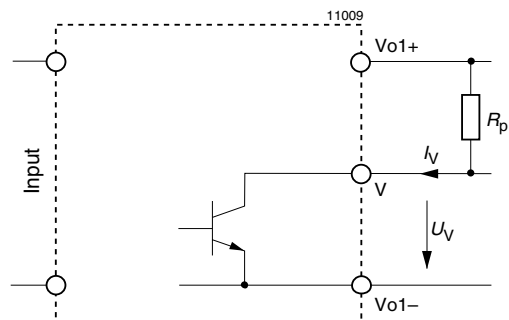


Fig. 25 Output configuration of options V0, V2 and V3

Threshold tolerances and hysteresis:

If U_i is monitored, the internal input voltage is measured after the input filter and rectifier (EM, LM and LMZ types). Consequently this voltage differs from the voltage at the connector pins by the voltage drop ΔU_{ti} across input filter and rectifier. The threshold level of option V0 is factory adjusted at $I_{o\ nom}$ and $T_A = 25^\circ\text{C}$. The value of ΔU_{ti} depends upon the input voltage range (AM, BM, ...), threshold level U_{ti} , temperature and input current. The input current is a function of input voltage and output power.

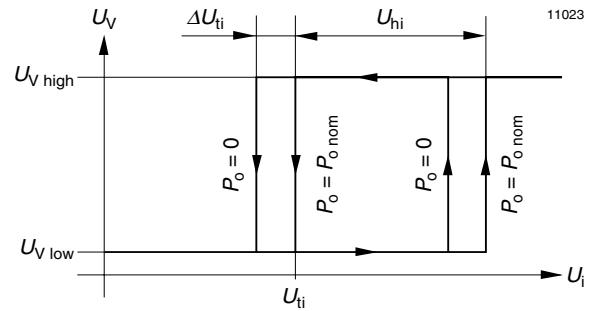
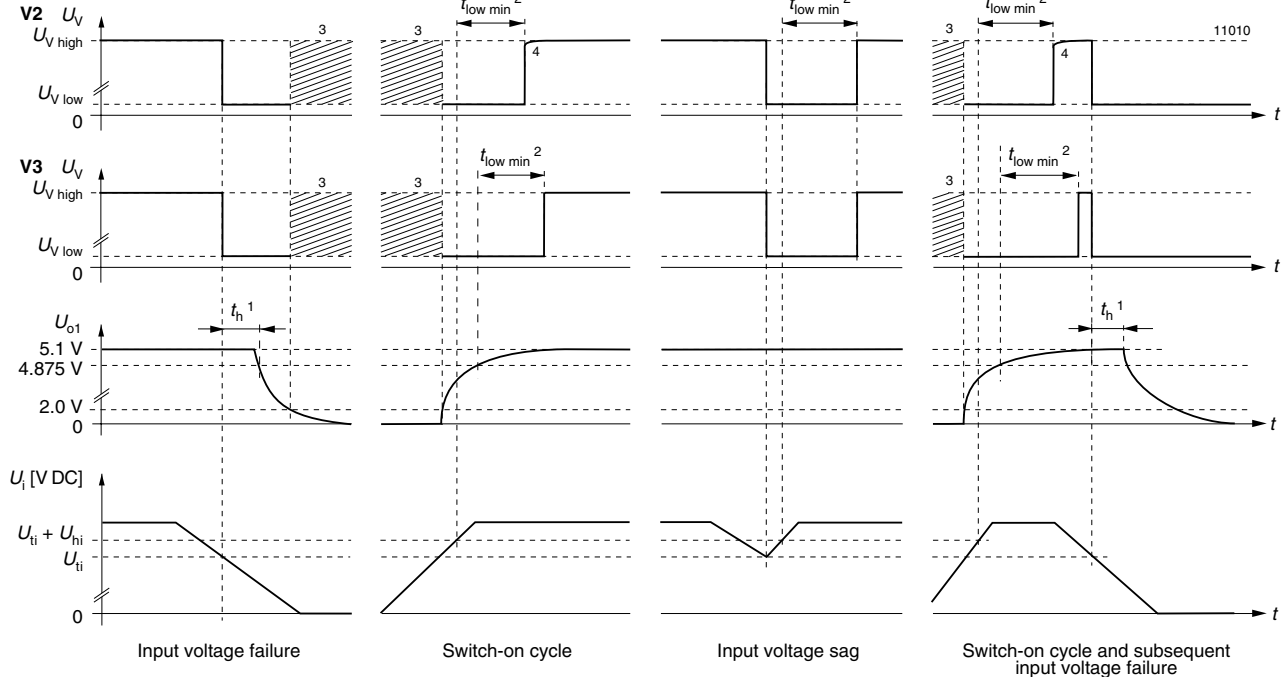
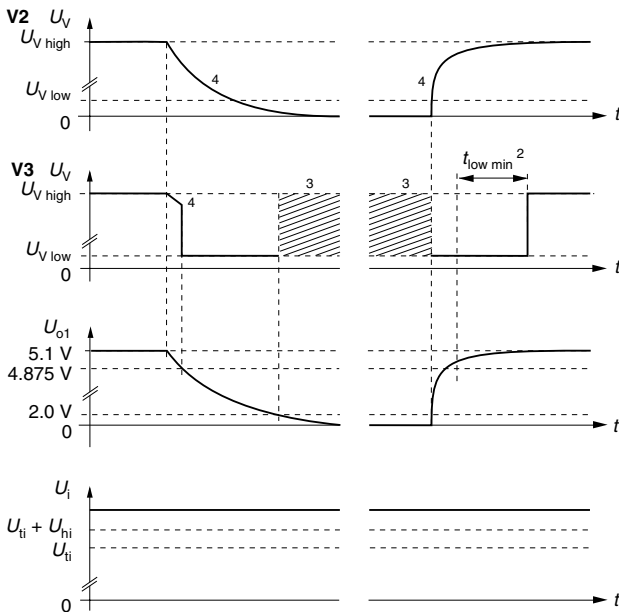


Fig. 26
Definition of U_{ti} , ΔU_{ti} and U_{hi}

Input voltage monitoring



Output voltage monitoring



- 1 VME request: minimum 4 ms
- 2 $t_{low\ min} = 40...200\ ms$, typically 80 ms
- 3 U_V level not defined at $U_{o1} < 2.0\ V$
- 4 The V signal drops simultaneously with the output voltage, if the pull-up resistor R_p is connected to Vo1+. The V signal remains high if R_p is connected to an external source.

Fig. 27
Relationship between U_i , U_{o1} , U_V , I_V and $U_{o1}/U_{o\ nom}$ versus time.

Accessories

A variety of electrical and mechanical accessories are available including:

- Front panels for 19" rack mounting, Schroff and Intermas systems.
- Mating H11 connectors with screw, solder, fast-on or press-fit terminals.
- Connector retention facilities.
- Code key system for connector coding.
- Flexible H11 PCB for mounting of the unit onto a PCB.
- Chassis mounting plates for mounting the 19" cassette to a chassis/wall where only frontal access is given.
- Universal mounting bracket for DIN-rail or chassis mounting.

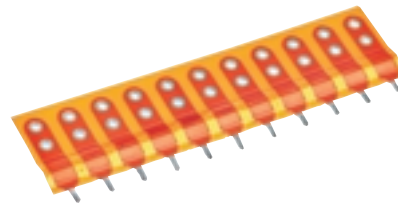
For more detailed information please refer to: *Accessory Products*.



Front panels



*H11 female connector,
Code key system*



Flexible H11 PCB



*Mounting plate,
Connector retention clips*



Universal mounting bracket for DIN-rail mounting.

X-ON Electronics

Largest Supplier of Electrical and Electronic Components

Click to view similar products for [Isolated DC/DC Converters](#) category:

Click to view products by [Bel Fuse](#) manufacturer:

Other Similar products are found below :

[ESM6D044440C05AAQ](#) [FMD15.24G](#) [PSL486-7LR](#) [PSR152.5-7IR](#) [Q48T30020-NBB0](#) [AVO240-48S12B-6L](#) [AVO250-48S28B-6L](#) [NAN-0505](#) [HW-L16D](#) [JAHW100Y1](#) [217-1617-001](#) [22827](#) [SPB05C-12](#) [SQ24S15033-PS0S](#) [18952](#) [19-130041](#) [CE-1003](#) [CE-1004](#) [GQ2541-7R](#) [PSE1000DCDC-12V](#) [RDS180245](#) [MAU228](#) [419-2065-201](#) [449-2075-101](#) [V300C24C150BG](#) [419-2062-200](#) [419-2063-401](#) [419-2067-101](#) [419-2067-501](#) [419-2068-001](#) [DFC15U48D15](#) [449-2067-000](#) [XGS-0512](#) [XGS-1205](#) [XGS-1212](#) [XGS-2412](#) [XGS-2415](#) [XKS-1215](#) [033456](#) [NCT1000N040R050B](#) [SPB05B-15](#) [SPB05C-15](#) [VI-26B-CU](#) [V24C12C100BG](#) [L-DA20](#) [HP3040-9RG](#) [HP1001-9RTG](#) [DCG40-5G](#) [XKS-2415](#) [XKS-2412](#)