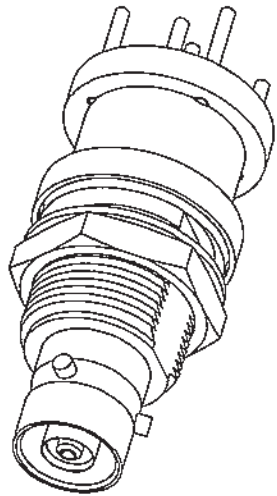
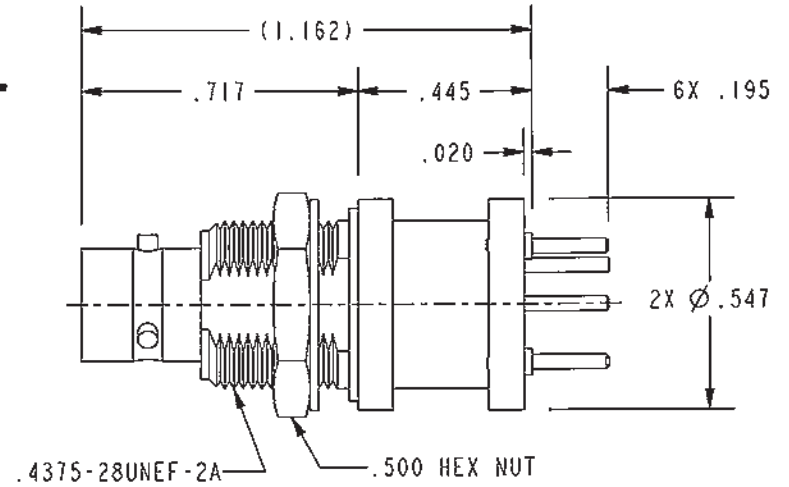
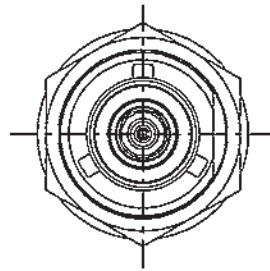


DATA CONTAINED IN THIS DOCUMENT IS PROPRIETARY TO TROMPETER ELECTRONICS INC. AND SHALL NOT BE DISCLOSED, COPIED OR USED FOR PROCUREMENT OR MANUFACTURE WITHOUT EXPRESS WRITTEN PERMISSION.

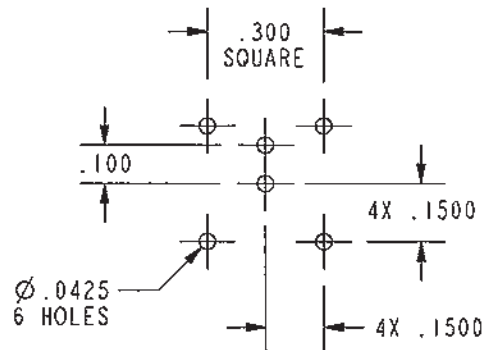
REVISIONS			
REV	DESCRIPTIONS	DATE	APPROVED
D	REVISED PER ECO 14990	3/20/03	WSJ



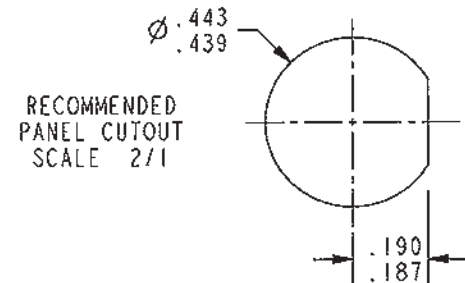
RED INDICATES ORIGINAL



SCALE 2/1



RECOMMENDED MTG HOLE PATTERN SCALE 2/1



RECOMMENDED PANEL CUTOUT SCALE 2/1

3. MAX PANEL THICKNESS .250

2. FINISH-
 BODY: TFS-1A (NICKEL)
 CONDUCTORS: TFS-1B (GOLD)
 LEGS: TFS-1T (TIN 90/10)

1. SUBMINIATURE TRS REAR MOUNT PC BOARD BULKHEAD RECEPTACLE

NOTES: UNLESS OTHERWISE SPECIFIED.

INTERPRET DRAWING PER MIL-STD-100. DIMENSIONS ARE IN INCHES AND INCLUDE FINISH THICKNESS UNLESS OTHERWISE SPECIFIED.

TOL: UNLESS SPECIFIED.
 .XX ± .01
 .XXX ± .003
 .XXXX ± .0010
 ANGLE ± 1° 00'
 CRITICAL



DRN	JCM	3-19-03	MATERIAL:	TITLE:
CHK	AAW	3-19-03	FINISH:	CBBJ159
QUALITY	WSJ	3/20/03	SEE NOTE 2	SIZE
APPROVED	WSJ	3/20/03	DO NOT SCALE DWG	A 14949
PROJECT	3-0306	SCALE	DATE	11-2-98

SIZE	CAGE CODE	DRAWING NO.	REV.
A	14949	3-0306	D
SCALE	DATE	SHEET	IC
2/1	11-2-98	IC	

NEXT ASSY

X-ON Electronics

Largest Supplier of Electrical and Electronic Components

Click to view similar products for [RF Connectors / Coaxial Connectors](#) category:

Click to view products by [Bel Fuse](#) manufacturer:

Other Similar products are found below :

[8915-1511-000](#) [89674-0827](#) [6001-7071-019](#) [6002-7051-003](#) [6002-7551-202](#) [6059674-1](#) [619550-1](#) [630059-000](#) [M39030/3-01N](#) [6500-7071-046](#) [6769](#) [CX050L2AQ](#) [7002-1541-010](#) [7002-1542-011](#) [7004-1512-000](#) [7009-1511-004](#) [7010-1511-000](#) [7029-1511-060](#) [7101-1541-010](#) [7101-1571-002](#) [7145-1521-002](#) [7203-1571-003](#) [7209-1511-011](#) [7210-1511-015](#) [7210-1511-019](#) [73137-5015](#) [73216-2241](#) [73404-2300](#) [7405-1521-005](#) [7405-1521-802](#) [8527](#) [8547](#) [FS11V](#) [877931](#) [8808-1511-001](#) [9049-9513-000](#) [9074-9513-000](#) [9101-9573-002](#) [910A205F](#) [9130-9573-002](#) [PL11SC-026](#) [PL375-33](#) [PL40-5](#) [PL74C-221](#) [PL75MC-217](#) [PL803-7](#) [1200690078](#) [1-201144-1](#) [R107003010W](#) [R110A172100](#)