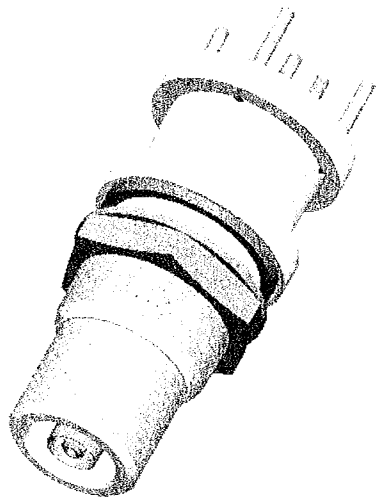


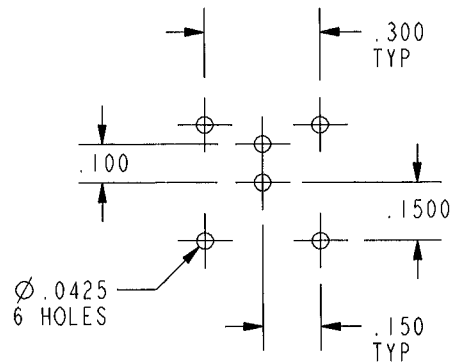
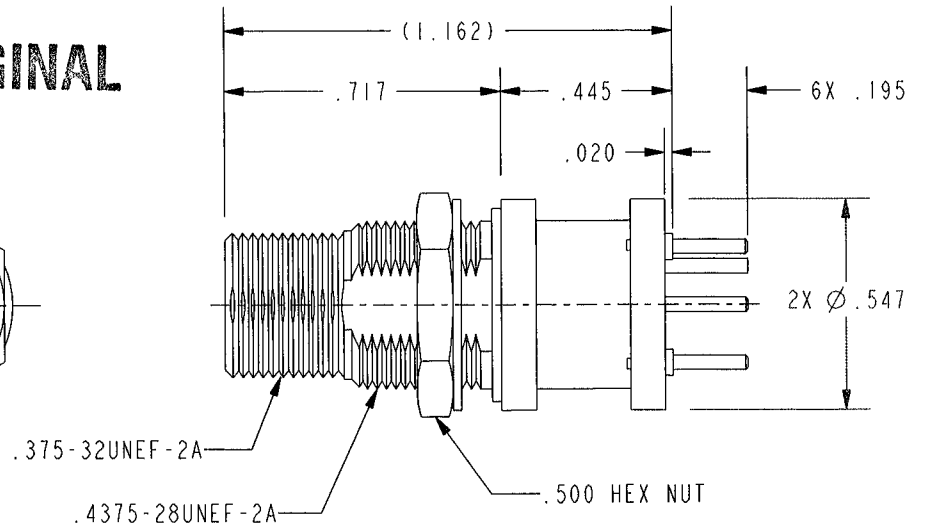
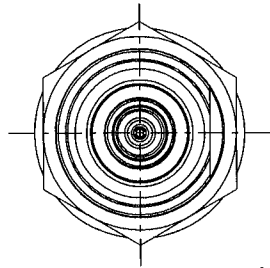
DATA CONTAINED IN THIS DOCUMENT IS PROPRIETARY TO TROMPETER ELECTRONICS INC. AND SHALL NOT BE DISCLOSED, COPIED OR USED FOR PROCUREMENT OR MANUFACTURE WITHOUT EXPRESS WRITTEN PERMISSION.

REVISIONS

REV	DESCRIPTIONS	DATE	APPROVED
B	SEE ECO # 16337	6-12-07	ORambo

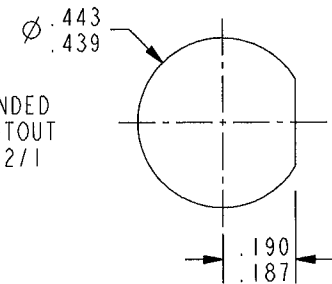


RED INDICATES ORIGINAL



RECOMMENDED MOUNTING HOLE PATTERN SCALE 2/1

RECOMMENDED PANEL CUTOUT SCALE 2/1



3. MAX PANEL THICKNESS .250

2. FINISH-
 BODY: TFS-1A (NICKEL)
 CONDUCTORS: TFS-1B (GOLD)
 LEGS: TFS-1T (TIN 90/10)

1. SUBMINIATURE TRS REAR MOUNT PC BOARD BULKHEAD RECEPTACLE

NOTES: UNLESS OTHERWISE SPECIFIED.

INTERPRET DRAWING PER MIL-STD-100. DIMENSIONS ARE IN INCHES AND INCLUDE FINISH THICKNESS UNLESS OTHERWISE SPECIFIED.		TOL: UNLESS SPECIFIED. .XX ± .02 .XXX ± .010 ANGLE ± 1°			
DRN J. CARPENTER CHK [Signature] QUALITY [Signature]	03-20-07 6/8/07	MATERIAL: _____ FINISH: SEE NOTE 2		TITLE: CBBJ3159	
MANUF _____ APPROVED [Signature]	6/11/07	SIZE A	CAGE CODE 14949	DRAWING NO. 3-0317	REV. B
NEXT ASSY _____	PROJE FILE NO. 3-0317	DO NOT SCALE DWG	SCALE 2/1	DATE 10-27-03	SHEET 1C

X-ON Electronics

Largest Supplier of Electrical and Electronic Components

Click to view similar products for [RF Connectors / Coaxial Connectors](#) category:

Click to view products by [Bel Fuse](#) manufacturer:

Other Similar products are found below :

[8915-1511-000](#) [89674-0827](#) [6001-7071-019](#) [6002-7051-003](#) [6002-7551-202](#) [6059674-1](#) [619550-1](#) [630059-000](#) [M39030/3-01N](#) [6500-7071-046](#) [6769](#) [CX050L2AQ](#) [7002-1541-010](#) [7002-1542-011](#) [7004-1512-000](#) [7009-1511-004](#) [7010-1511-000](#) [7029-1511-060](#) [7101-1541-010](#) [7101-1571-002](#) [7145-1521-002](#) [7203-1571-003](#) [7209-1511-011](#) [7210-1511-015](#) [7210-1511-019](#) [73137-5015](#) [73216-2241](#) [73404-2300](#) [7405-1521-005](#) [7405-1521-802](#) [8527](#) [8547](#) [FS11V](#) [877931](#) [8808-1511-001](#) [9049-9513-000](#) [9074-9513-000](#) [9101-9573-002](#) [910A205F](#) [9130-9573-002](#) [PL11SC-026](#) [PL375-33](#) [PL40-5](#) [PL74C-221](#) [PL75MC-217](#) [PL803-7](#) [1200690078](#) [1-201144-1](#) [R107003010W](#) [R110A172100](#)