

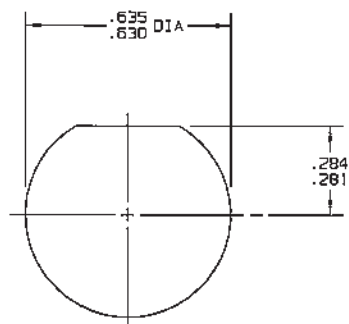
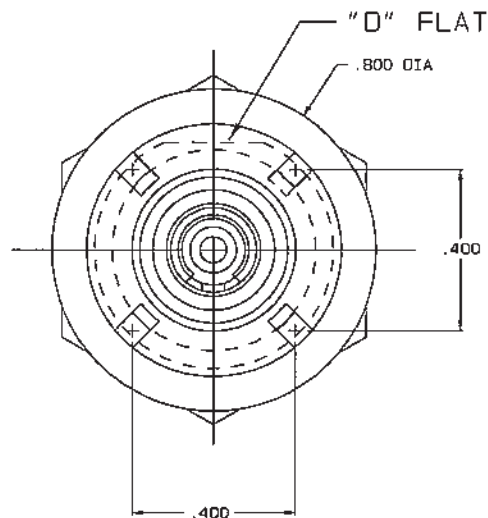
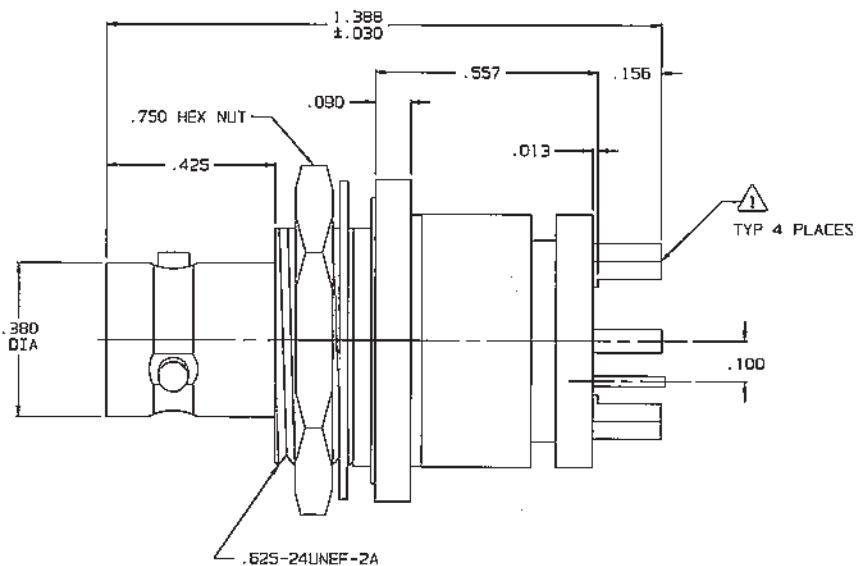
DATA CONTAINED IN THIS DOCUMENT IS PROPRIETARY TO TROMPETER ELECTRONICS INC. AND SHALL NOT BE DISCLOSED, COPIED OR USED FOR PROCUREMENT OR MANUFACTURE WITHOUT EXPRESS WRITTEN PERMISSION OF TROMPETER ELECTRONICS INC.

REVISIONS

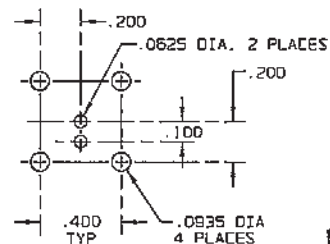
3-0282

SH 1

REV	DESCRIPTION	DATE	APPROVED
C	REVISED PER ECO #15165	11/6/03	<i>WJ</i>



RECOMMENDED  
PANEL CUTOUT



RECOMMENDED  
MTG HOLE PATT  
SCALE: NONE

**RED INDICATES ORIGINAL**

4. MAXIMUM PANEL THICKNESS .109

3. FEMALE 3-LUG CONCENTRIC TWINAX / TRIAX CIRCUIT BOARD AND INSULATING BULKHEAD MOUNT RECEPTACLE

2. FINISH: YFS-1A (NICKEL)

⚠ PRE-TINNED, .0015 MAXIMUM THICKNESS WITH SN63 OR EQUIV SOLDER, PER BG-S-571, TO WITHIN .060 MAXIMUM OF SHOULDER, AFTER PLATING

INTERPRET DRAWING PER MIL-STD-100 DIMENSIONS ARE IN INCHES AND INCLUDE FINISH THICKNESS UNLESS OTHERWISE SPECIFIED

TOL: UNLESS SPECIFIED  
.XX  
.XXX ±.005  
.XXXX ±.0010  
ANGLES

DRAWN PD	DATE 11-04-03	MATERIAL:
CHECKED T.Kha	11-4-03	FINISH:
QUALITY WJ	11/6/03	
MAILED WJ	11/6/03	
APPROVED WJ	11/6/03	

**TROMPETER**  
RF connectivity  
a cinch connectivity solutions brand

TITLE:		CBBJ74	
SIZE	EAGE CODE	DRAWING NO.	REV.
A	14949	3-0282	C
SCALE	DATE:	SHEET	
4/1	5-20-92	1C	

NEXT ASSY CAD FILE NO. 3-0282C DO NOT SCALE DRG

## X-ON Electronics

Largest Supplier of Electrical and Electronic Components

*Click to view similar products for [RF Connectors](#) / [Coaxial Connectors](#) category:*

*Click to view products by [Bel Fuse](#) manufacturer:*

Other Similar products are found below :

[8915-1511-000](#) [89674-0827](#) [6001-7071-019](#) [6002-7051-003](#) [6002-7551-202](#) [6059674-1](#) [619550-1](#) [630059-000](#) [M39030/3-01N](#) [6500-7071-046](#) [6769](#) [CX050L2AQ](#) [7002-1541-010](#) [7002-1542-011](#) [7004-1512-000](#) [7009-1511-004](#) [7010-1511-000](#) [7029-1511-060](#) [7101-1541-010](#) [7101-1571-002](#) [7145-1521-002](#) [7203-1571-003](#) [7209-1511-011](#) [7210-1511-015](#) [7210-1511-019](#) [73137-5015](#) [73216-2241](#) [73404-2300](#) [7405-1521-005](#) [7405-1521-802](#) [8527](#) [8547](#) [FS11V](#) [877931](#) [9049-9513-000](#) [9074-9513-000](#) [9101-9573-002](#) [910A205F](#) [9130-9573-002](#) [PL11SC-026](#) [PL375-33](#) [PL40-5](#) [PL74C-221](#) [PL75MC-217](#) [PL803-7](#) [980-8666-005](#) [1200690078](#) [1-201144-1](#) [R107003010W](#) [R110A172100](#)