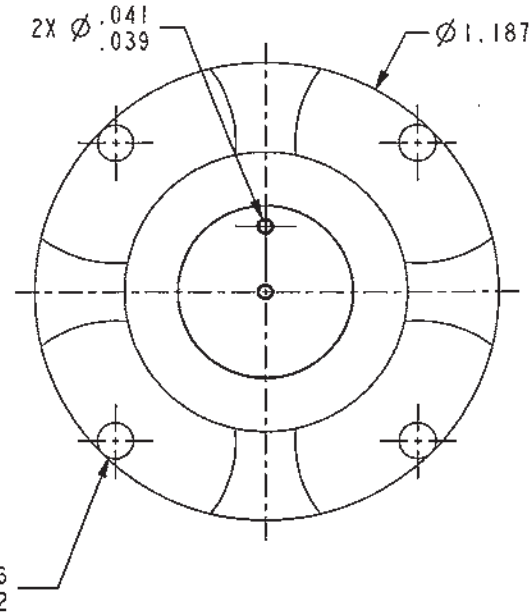
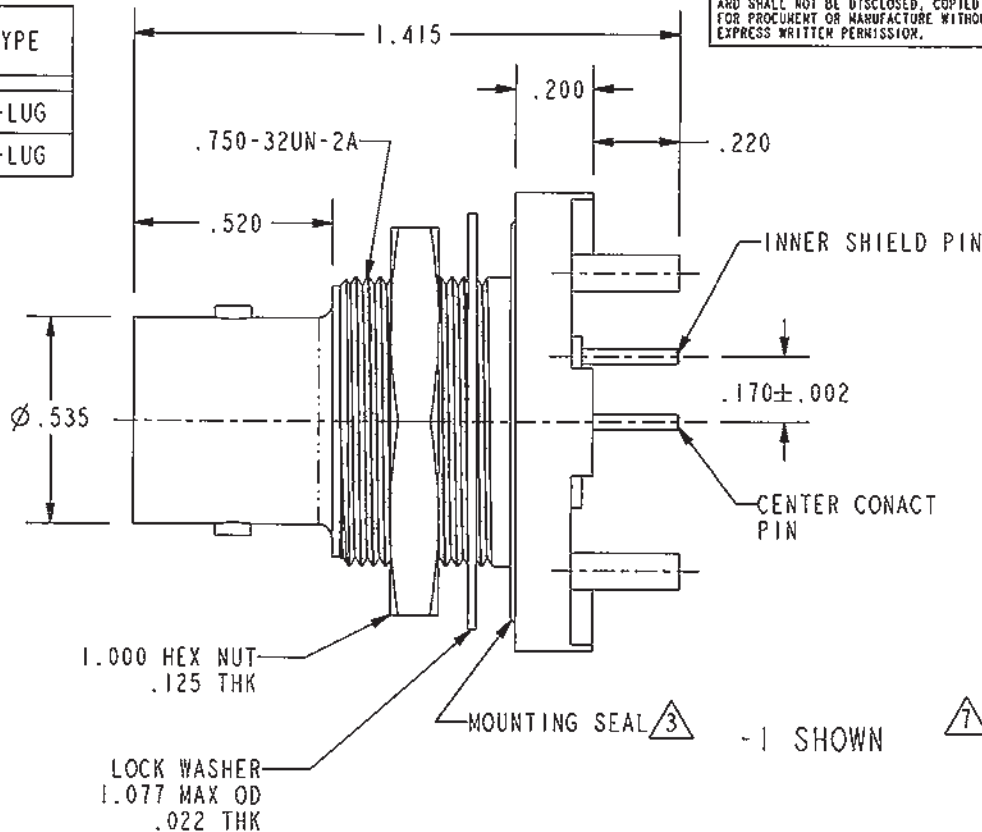


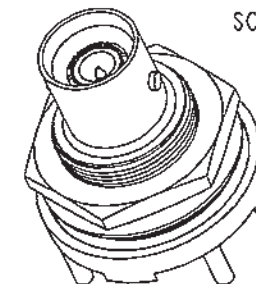
DASH NO	MODEL NO	TYPE
-1	CBBJ82	2-LUG
-2	CBBJ823	3-LUG

DATA CONTAINED IN THIS DOCUMENT IS PROPRIETARY TO TROMPETER ELECTRONICS INC. AND SHALL NOT BE DISCLOSED, COPIED OR USED FOR PROCUREMENT OR MANUFACTURE WITHOUT EXPRESS WRITTEN PERMISSION.

REVISIONS			
REV	DESCRIPTIONS	DATE	APPROVED
F	REVISED PER ECO 14566	5/29/02	WJX



SCALE 1/1



RED INDICATES ORIGINAL

7 PRE-TINNED, .0015 MAXIMUM THICKNESS WITH SN63 OR EQUIV SOLDER, PER QQ-S-571, TO WITHIN .060 MAXIMUM OF SHOULDER, AFTER PLATING

6. INTERFACE: TCS-BJ80

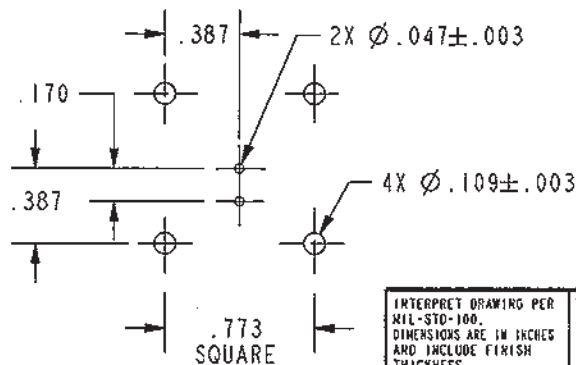
5. MAX BOARD THK .190

4. MAX PANEL THK .250 (WITH 2 FULL THD EXPOSED)


3 PARKER SEAL NO. 2-021S604-70 (.926 GLAND ID)

2. FINISH: TFS-1A (NICKEL)

1. CONCENTRIC TWINAX/TRIAX, SERIES TRC, CIRCUIT BOARD/BULKHEAD JACK



RECOMMENDED
MTG HOLE PATTERN
SCALE 1/1

INTERPRET DRAWING PER MIL-STD-100. DIMENSIONS ARE IN INCHES AND INCLUDE FINISH THICKNESS UNLESS OTHERWISE SPECIFIED.		TOL: UNLESS SPECIFIED. .XX ± .02 .XXX ± .005 ANGLE ± 1°		 TROMPETER RF connectivity <small>a cinch connectivity solutions brand</small>	
DRN	JCM 5-28-02	MATERIAL:			
CHK	<i>TJW</i> 5/29/02	FINISH:		SIZE	A 14949
QUALITY	<i>WJX</i> 5/29/02	SEE NOTE 2		DRAWING NO.	3-0041
MANUF	<i>WJX</i> 5/29/02	DO NOT SCALE DWG		DATE	7-12-79
APPROVED	<i>WJX</i> 5/29/02	SCALE		SHEET	IC
PROJECT NO.	3-0041	NEXT ASSY		REV.	F

NOTES: UNLESS OTHERWISE SPECIFIED.

X-ON Electronics

Largest Supplier of Electrical and Electronic Components

Click to view similar products for [RF Connectors / Coaxial Connectors](#) category:

Click to view products by [Bel Fuse](#) manufacturer:

Other Similar products are found below :

[8915-1511-000](#) [89674-0827](#) [6001-7071-019](#) [6002-7051-003](#) [6002-7551-202](#) [6059674-1](#) [619550-1](#) [630059-000](#) [M39030/3-01N](#) [6500-7071-046](#) [6769](#) [CX050L2AQ](#) [7002-1541-010](#) [7002-1542-011](#) [7004-1512-000](#) [7009-1511-004](#) [7010-1511-000](#) [7029-1511-060](#) [7101-1541-010](#) [7101-1571-002](#) [7145-1521-002](#) [7203-1571-003](#) [7209-1511-011](#) [7210-1511-015](#) [7210-1511-019](#) [73137-5015](#) [73216-2241](#) [73404-2300](#) [7405-1521-005](#) [7405-1521-802](#) [8527](#) [8547](#) [FS11V](#) [877931](#) [8808-1511-001](#) [9049-9513-000](#) [9074-9513-000](#) [9101-9573-002](#) [910A205F](#) [9130-9573-002](#) [PL11SC-026](#) [PL375-33](#) [PL40-5](#) [PL74C-221](#) [PL75MC-217](#) [PL803-7](#) [980-8666-005](#) [1200690078](#) [1-201144-1](#) [R107003010W](#)