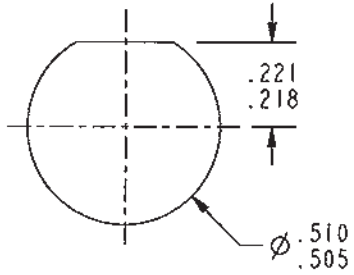


DATA CONTAINED IN THIS DOCUMENT IS PROPRIETARY TO TROMPETER ELECTRONICS INC. AND SHALL NOT BE DISCLOSED, COPIED OR USED FOR PROCUREMENT OR MANUFACTURE WITHOUT EXPRESS WRITTEN PERMISSION.

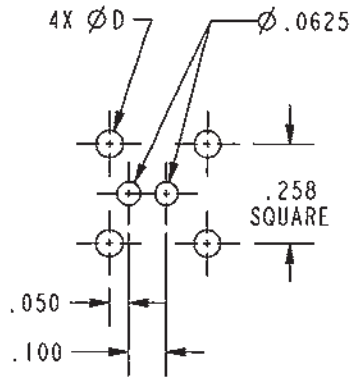
| REVISIONS | | | |
|-----------|-----------------------|----------|-------------|
| REV | DESCRIPTIONS | DATE | APPROVED |
| D | REVISED PER ECO 14776 | 10-29-02 | [Signature] |

| MODEL | A | B ± .030 | C | ∅ D ± .002 |
|----------|-----|----------|------|------------|
| CBBJR39 | .24 | .565 | .050 | .075 |
| CBBJR39A | .34 | .665 | .058 | .082 |

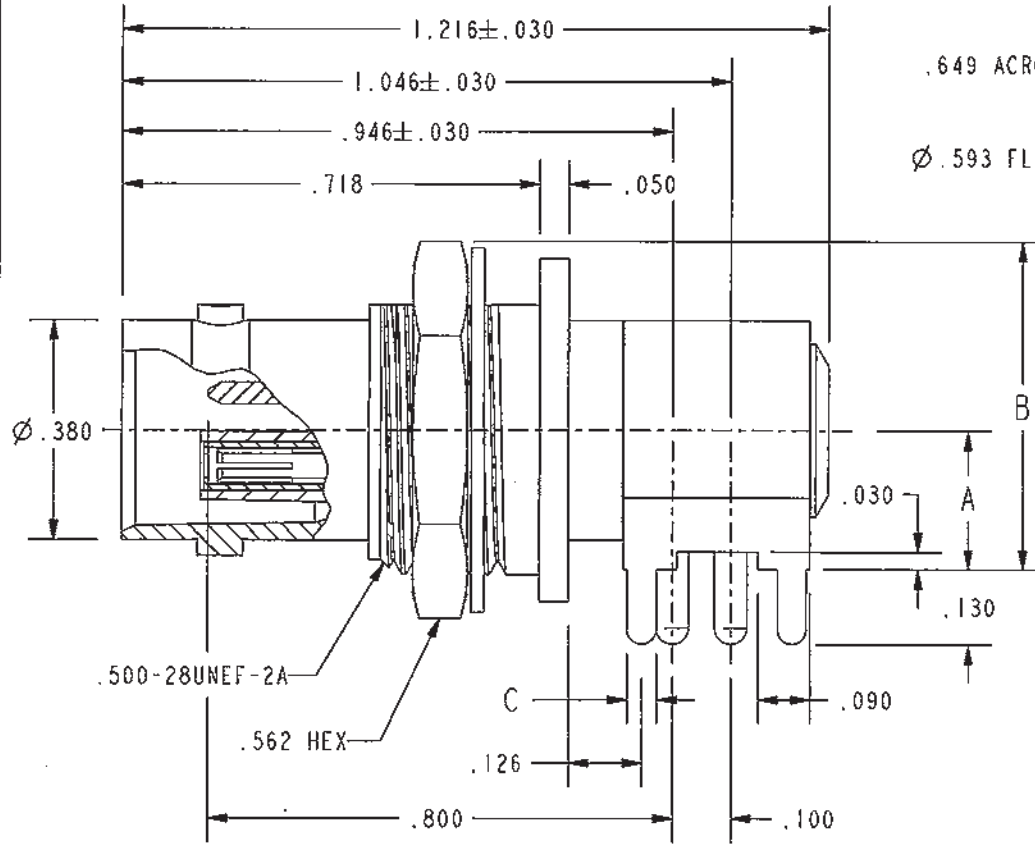
RED INDICATES ORIGINAL



RECOMMENDED PANEL CUTOUT
SCALE 2/1



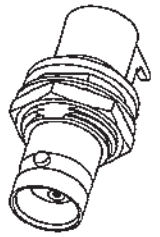
RECOMMENDED MOUNTING HOLE PATTERN
SCALE 2/1



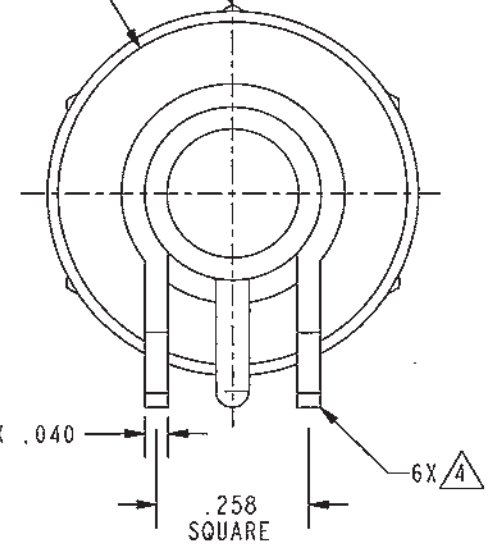
CBBJR39 SHOWN

.649 ACROSS POINTS

∅ .593 FLANGE



SCALE 1/1



△ TIN .0015 MAXIMUM THICKNESS WITH SN63 OR EQUIVALENT SOLDER PER QQ-S-571 TO WITHIN .060 MAXIMUM OF SHOULDER (ON SHROUD)

3. FINISH: TFS-1A (NICKEL)
2. MAX PANEL THICKNESS: .125
1. CONCENTRIC TWINAX TWO-PIN RIGHT ANGLE CIRCUIT BOARD AND BULKHEAD MOUNT RECEPTACLE

NOTES: UNLESS OTHERWISE SPECIFIED.

INTERPRET DRAWING PER MIL-STD-100. DIMENSIONS ARE IN INCHES AND INCLUDE FINISH THICKNESS UNLESS OTHERWISE SPECIFIED.

TOL: UNLESS SPECIFIED.
.XX ± .02
.XXX ± .010
ANGLE ± 1°



| | | | | |
|----------------|-------------|----------|------------------|-----------|
| DRN | JCM | 10-25-02 | MATERIAL: | TITLE: |
| CHKD | DD | 10-25-02 | FINISH: | CBBJR39/A |
| QUALITY | [Signature] | 10/29/02 | SEE NOTE 3 | SIZE |
| MANUF | [Signature] | 10/29/02 | DO NOT SCALE DWG | CAGE CODE |
| APPROVED | [Signature] | 10/25/02 | SCALE | 1/1 |
| PROVE FILE NO. | 205-0069 | | DATE | 9-27-91 |

| | | | |
|-------------|----------|------|---|
| DRAWING NO. | 205-0069 | REV. | D |
| SHEET | 1C | | |

X-ON Electronics

Largest Supplier of Electrical and Electronic Components

Click to view similar products for [RF Connectors / Coaxial Connectors](#) category:

Click to view products by [Bel Fuse](#) manufacturer:

Other Similar products are found below :

[8915-1511-000](#) [89674-0827](#) [6001-7071-019](#) [6002-7051-003](#) [6002-7551-202](#) [6059674-1](#) [619550-1](#) [630059-000](#) [M39030/3-01N](#) [6500-7071-046](#) [6769](#) [CX050L2AQ](#) [7002-1541-010](#) [7002-1542-011](#) [7004-1512-000](#) [7009-1511-004](#) [7010-1511-000](#) [7029-1511-060](#) [7101-1541-010](#) [7101-1571-002](#) [7145-1521-002](#) [7203-1571-003](#) [7209-1511-011](#) [7210-1511-015](#) [7210-1511-019](#) [73137-5015](#) [73216-2241](#) [73404-2300](#) [7405-1521-005](#) [7405-1521-802](#) [8527](#) [8547](#) [FS11V](#) [877931](#) [8808-1511-001](#) [9049-9513-000](#) [9074-9513-000](#) [9101-9573-002](#) [910A205F](#) [9130-9573-002](#) [PL11SC-026](#) [PL375-33](#) [PL40-5](#) [PL74C-221](#) [PL75MC-217](#) [PL803-7](#) [1200690078](#) [1-201144-1](#) [R107003010W](#) [R110A172100](#)