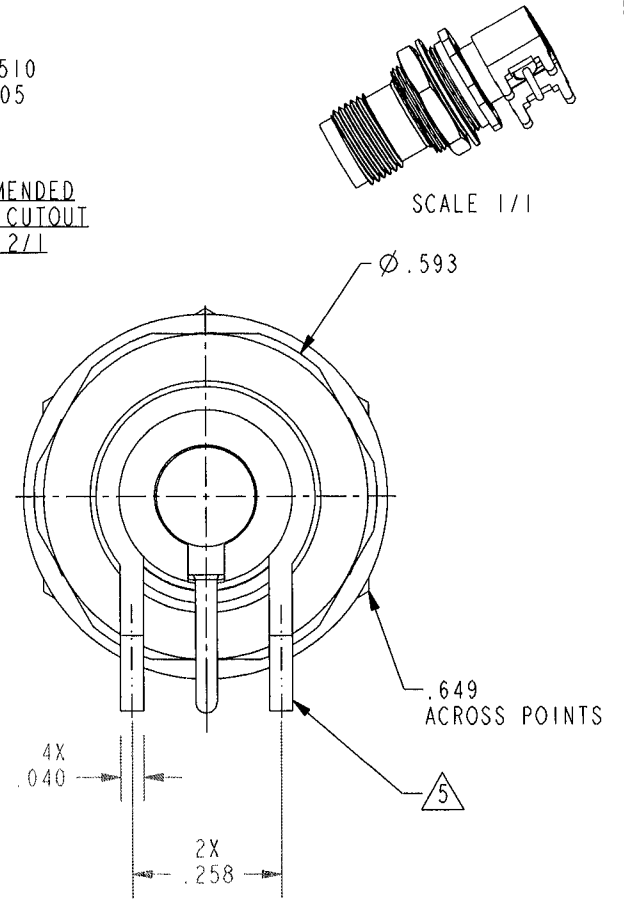
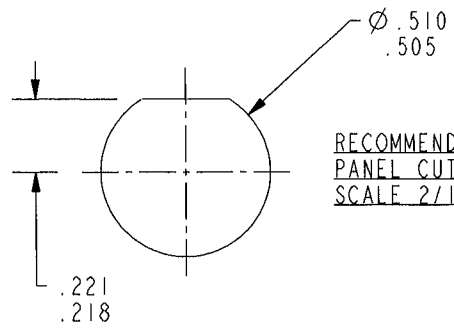
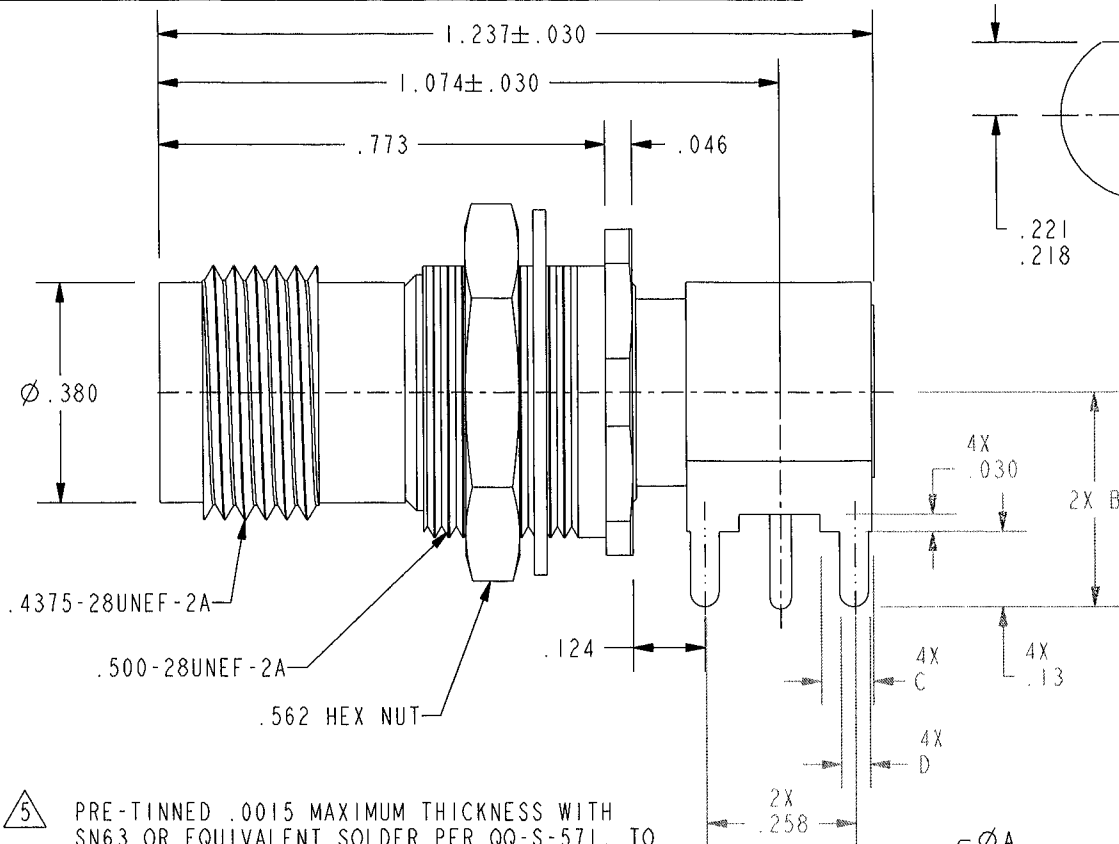


DASH NUMBER	MODEL NUMBER	LETTER CODE	IMPEDANCE $\Omega$	A DIA	B DIM	C DIM	D DIM	E DIA
-1	CBBJR46	-----	50	.046	.24	.090	.050	.0625
-2	UCBBJR46	-----	75	.029				
-3	CBBJR46A	A	50	.046	.34	.090	.058	.070
-4	UCBBJR46A		75	.029				

DATA CONTAINED IN THIS DOCUMENT IS PROPRIETARY TO TROMPETER ELECTRONICS INC. AND SHALL NOT BE DISCLOSED, COPIED OR USED FOR PROCUREMENT OR MANUFACTURE WITHOUT EXPRESS WRITTEN PERMISSION.

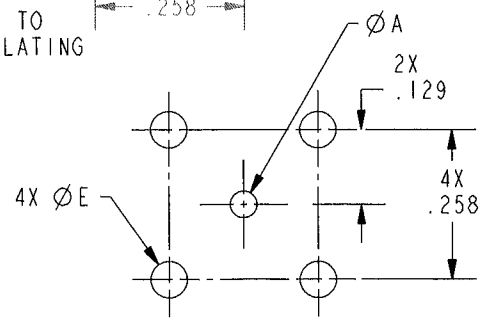
REVISIONS			
REV	DESCRIPTIONS	DATE	APPROVED
D	REVISED PER ECO 16637	7-18-08	<i>OKama</i>



- 1 SHOWN

**RED INDICATES ORIGINAL**

5. PRE-TINNED .0015 MAXIMUM THICKNESS WITH SN63 OR EQUIVALENT SOLDER PER QQ-S-571, TO WITHIN .060 MAXIMUM OF SHOULDER AFTER PLATING
4. MAXIMUM PANEL THICKNESS .156
3. EXAMPLE OF COMPLETE MODEL NUMBER:  
CBBJR46 A  
 BASIC MODEL NUMBER      LETTER CODE
2. FINISH: TFS-1A (NICKEL)
1. 50 & 75  $\Omega$  RIGHT ANGLE CIRCUIT BOARD AND INSULATED BULKHEAD MOUNTING BNC RECEPTACLE



RECOMMENDED MOUNTING HOLE PATTERN SCALE 3/1

NOTES: UNLESS OTHERWISE SPECIFIED.

INTERPRET DRAWING PER MIL-STD-100. DIMENSIONS ARE IN INCHES AND INCLUDE FINISH THICKNESS UNLESS OTHERWISE SPECIFIED.		TOL: UNLESS SPECIFIED. .XX ± .02 .XXX ± .010 ANGLE ± 1°			
DRN JOHNSON	5-28-08	MATERIAL:	TITLE:		
CITY	6-23-08	FINISH:	U/CBBJR46/A		
QUALITY					
MANUF					
APPROVED	7/17/08	SIZE	CAGE CODE	DRAWING NO.	REV.
PROVE FILE NO.	1-0055	A	14949	1-0055	D
NEXT ASSY		SCALE	3/1	DATE	10-30-84
		DO NOT SCALE DWG		SHEET	1C

## X-ON Electronics

Largest Supplier of Electrical and Electronic Components

*Click to view similar products for [RF Connectors / Coaxial Connectors](#) category:*

*Click to view products by [Bel Fuse](#) manufacturer:*

Other Similar products are found below :

[8915-1511-000](#) [89674-0827](#) [6001-7071-019](#) [6002-7051-003](#) [6002-7551-202](#) [6059674-1](#) [619550-1](#) [630059-000](#) [M39030/3-01N](#) [6500-7071-046](#) [6769](#) [CX050L2AQ](#) [7002-1541-010](#) [7002-1542-011](#) [7004-1512-000](#) [7009-1511-004](#) [7010-1511-000](#) [7029-1511-060](#) [7101-1541-010](#) [7101-1571-002](#) [7145-1521-002](#) [7203-1571-003](#) [7209-1511-011](#) [7210-1511-015](#) [7210-1511-019](#) [73137-5015](#) [73216-2241](#) [73404-2300](#) [7405-1521-005](#) [7405-1521-802](#) [8527](#) [8547](#) [FS11V](#) [877931](#) [8808-1511-001](#) [9049-9513-000](#) [9074-9513-000](#) [9101-9573-002](#) [910A205F](#) [9130-9573-002](#) [PL11SC-026](#) [PL375-33](#) [PL40-5](#) [PL74C-221](#) [PL75MC-217](#) [PL803-7](#) [980-8666-005](#) [1200690078](#) [1-201144-1](#) [R107003010W](#)