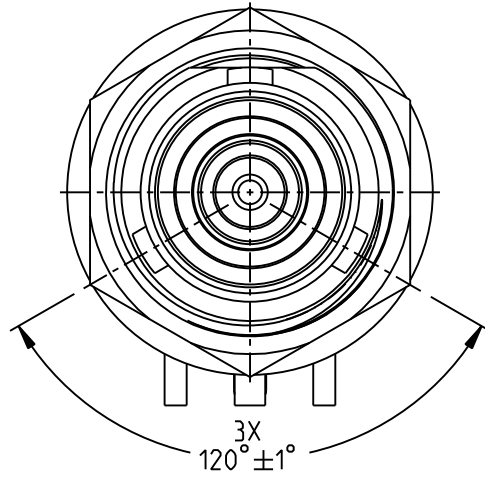
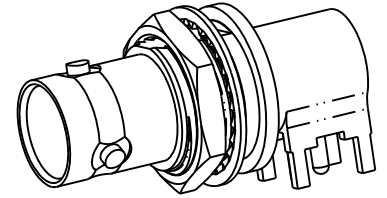
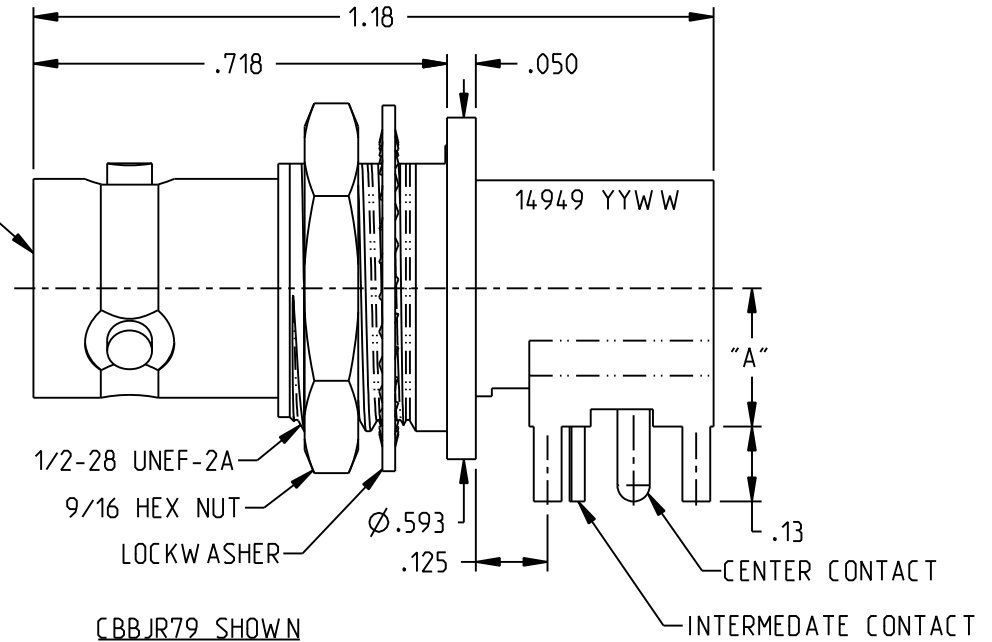


TROMPETER MODEL NO.	Ø "A"	Ø "B"
CBBJR79	.24	.063
CBBJR79A	.34	.070



TRB JACK INTERFACE
PER MIL-STD-348
FIGURE 201-2



NOTES: UNLESS OTHERWISE SPECIFIED:

1. MATERIAL & FINISH:

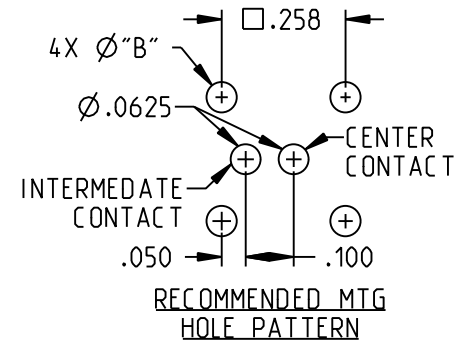
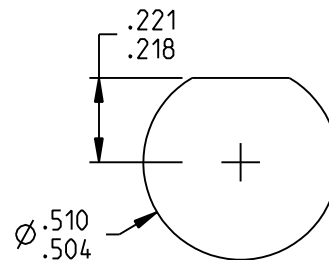
- 1.1 BODY: TIN PLATED BRASS
- 1.2 INSULATOR & DIELECTRIC: PTFE (TEFLON)
- 1.3 INTERMEDIATE CONTACT: GOLD PLATED BRASS
- 1.4 CENTER CONTACT: GOLD PLATED BERYLLIUM COPPER
- 1.5 MOUNTING HARDWARE: TIN PLATED COPPER ALLOY

2. ELECTRICAL:

- 2.1 FREQUENCY (MAX): 500 MHZ
- 2.2 IMPEDANCE: NON-CONSTANT

3. PANEL NUT TORQUE (MAX): 35 INCH POUNDS

4. PANEL THICKNESS (MAX): .125



	3RD ANGLE PROJECTION	TROMPETER	
	NOTICE: The information in this drawing is PROPRIETARY and must not be used without the permission of Cinch Connectivity Solutions. It may contain data whose export is restricted. Verify status prior to exporting. INTERPRET DRAWING IN ACCORDANCE WITH ASME Y14.5-2018	RoHS2 <input checked="" type="checkbox"/> 2015/863/EU UNLESS OTHERWISE SPECIFIED UNITS: INCH .XX ±.02 .XXX ±.010 ANGLES ±2°	Title: TRB RIGHT ANGLE CIRCUIT BOARD JACK Model No. CBBJR79X Size A DO NOT SCALE DRAWING Date: 9/15/2021 Sheet 1 OF 1

X-ON Electronics

Largest Supplier of Electrical and Electronic Components

Click to view similar products for [RF Connectors / Coaxial Connectors](#) category:

Click to view products by [Bel Fuse](#) manufacturer:

Other Similar products are found below :

[8915-1511-000](#) [89674-0827](#) [6001-7071-019](#) [6002-7051-003](#) [6002-7551-202](#) [6059674-1](#) [619550-1](#) [630059-000](#) [M39030/3-01N](#) [6500-7071-046](#) [6769](#) [CX050L2AQ](#) [7002-1541-010](#) [7002-1542-011](#) [7004-1512-000](#) [7009-1511-004](#) [7010-1511-000](#) [7029-1511-060](#) [7101-1541-010](#) [7101-1571-002](#) [7145-1521-002](#) [7203-1571-003](#) [7209-1511-011](#) [7210-1511-015](#) [7210-1511-019](#) [73137-5015](#) [73216-2241](#) [73404-2300](#) [7405-1521-005](#) [7405-1521-802](#) [8527](#) [8547](#) [FS11V](#) [877931](#) [8808-1511-001](#) [9049-9513-000](#) [9074-9513-000](#) [9101-9573-002](#) [910A205F](#) [9130-9573-002](#) [PL11SC-026](#) [PL375-33](#) [PL40-5](#) [PL74C-221](#) [PL75MC-217](#) [PL803-7](#) [980-8666-005](#) [1200690078](#) [1-201144-1](#) [R107003010W](#)