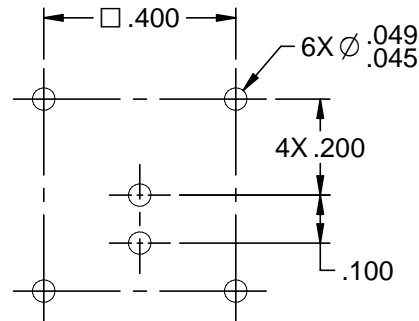


NOTES: UNLESS OTHERWISE SPECIFIED.

1. FEMALE SUBMINIATURE TRIAXIAL PC BOARD MOUNT JACK.
2. FINISH:
BODY: NICKEL
CONTACT: GOLD
3. MAXIMUM BOARD THICKNESS: .125
4. MINIMUM CENTER TO CENTER MOUNTING: .500
5. PRE- TINNED.



RECOMMENDED MOUNTING HOLE PATTERN

		Trompeter	
		Title: TRS CIRCUIT BOARD MOUNT	
<small>This PROPRIETARY Document is property of Emerson Network Power Connectivity Solutions. It is confidential in nature, non-transferable, and issued with the clear understanding that it is not tracked or copied without permission and is retrievable upon demand.</small>		Model No. CBJ157	
<small>UNLESS OTHERWISE SPECIFIED</small> .XX ± .02 .XXX ± .005 ANGLES ± 2°		Size A DO NOT SCALE DRAWING	Date: 4/17/2013 Sheet 1 of 1

X-ON Electronics

Largest Supplier of Electrical and Electronic Components

Click to view similar products for [RF Connectors / Coaxial Connectors](#) category:

Click to view products by [Bel Fuse](#) manufacturer:

Other Similar products are found below :

[8915-1511-000](#) [89674-0827](#) [6001-7071-019](#) [6002-7051-003](#) [6002-7551-202](#) [6059674-1](#) [619550-1](#) [630059-000](#) [M39030/3-01N](#) [6500-7071-046](#) [6769](#) [CX050L2AQ](#) [7002-1541-010](#) [7002-1542-011](#) [7004-1512-000](#) [7009-1511-004](#) [7010-1511-000](#) [7029-1511-060](#) [7101-1541-010](#) [7101-1571-002](#) [7145-1521-002](#) [7203-1571-003](#) [7209-1511-011](#) [7210-1511-015](#) [7210-1511-019](#) [73137-5015](#) [73216-2241](#) [73404-2300](#) [7405-1521-005](#) [7405-1521-802](#) [8527](#) [8547](#) [FS11V](#) [877931](#) [9049-9513-000](#) [9074-9513-000](#) [9101-9573-002](#) [910A205F](#) [9130-9573-002](#) [PL11SC-026](#) [PL375-33](#) [PL40-5](#) [PL74C-221](#) [PL75MC-217](#) [PL803-7](#) [980-8666-005](#) [1200690078](#) [1-201144-1](#) [R107003010W](#) [R110A172100](#)