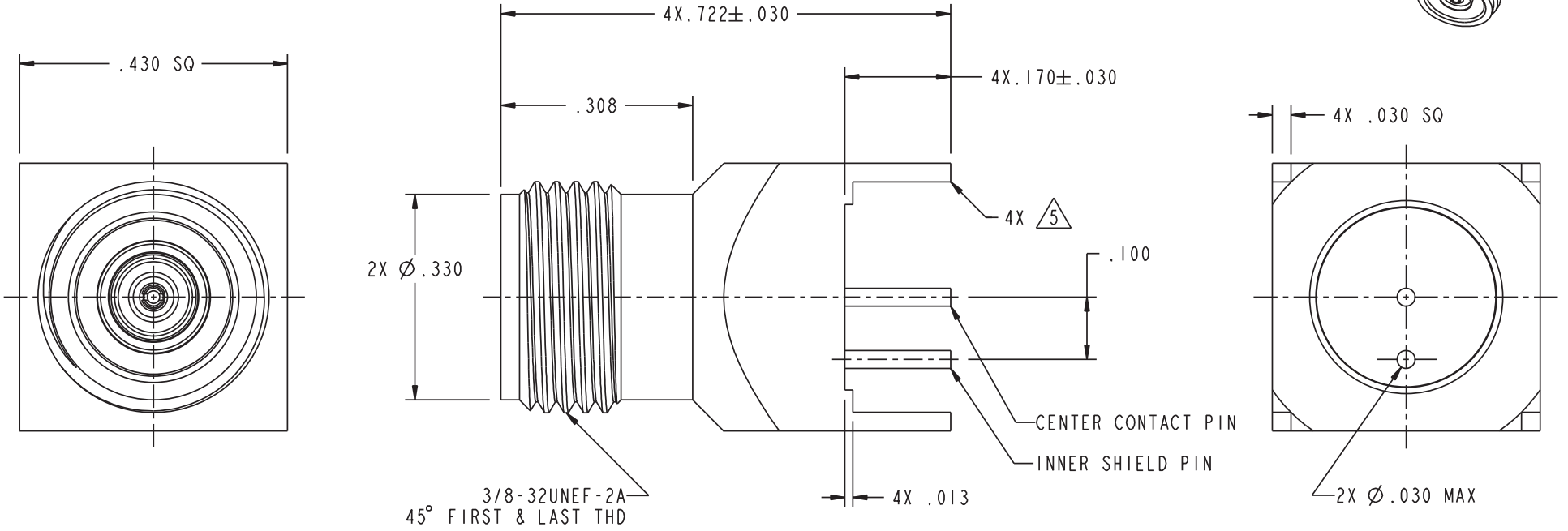
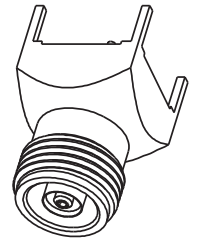
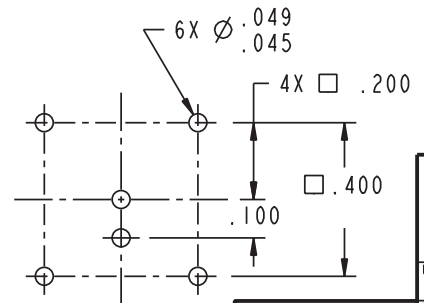


DATA CONTAINED IN THIS DOCUMENT IS PROPRIETARY TO EMERSON CONNECTIVITY SOLUTIONS AND SHALL NOT BE DISCLOSED, COPIED OR USED FOR PROMOTION OR MANUFACTURE WITHOUT EXPRESS WRITTEN PERMISSION

REVISIONS			
REV	DESCRIPTIONS	DATE	APPROVED
D	ECO 53462	7/21/11	TSS



3/8-32UNEF-2A  
45° FIRST & LAST THD



RECOMMENDED MTG  
HOLE PATTERN  
SCALE 2/1

- 5 PRE-TINNED, .0015 MAXIMUM THICKNESS WITH SN63 OR EQUIVALENT SOLDER PER J-STD-006 TO WITHIN .060 MAXIMUM OF SHOULDER, AFTER PLATING
- 4. MINIMUM CENTER TO CENTER MOUNTING: .500
- 3. MAXIMUM BOARD THICKNESS: .125
- 2 FINISH: TFS-1A (NICKEL)
- 1. FEMALE SUBMINIATURE TRIAXIAL THREADED PC BOARD JACK

NOTES: UNLESS OTHERWISE SPECIFIED.

N/A
BLANK LENGTH (REF. ONLY)
N/A
SURFACE AREA

INTERPRET DRAWING PER MIL-STD-100. DIMENSIONS ARE IN INCHES AND INCLUDE FINISH THICKNESS UNLESS OTHERWISE SPECIFIED.		TOL: UNLESS SPECIFIED. .XX ± .02 .XXX ± .010 ANGLE ± 1°	
DRN	BPK	7/21/11	MATERIAL:
CHR	CSM	7/23/11	QUALITY
MANUF	APPROVED		FINISH:
PROJ FILE NO.	3-0049		DO NOT SCALE DWG

		<b>Connectivity Solutions</b> 299 Johnson Ave. Ste. 100 Waseca, MN 56093 1-800-247-8256	
		TITLE: <h1 style="text-align: center;">CBJ3157</h1>	
SIZE	CAGE CODE	DRAWING NO.	REV.
A	14949	3-0049	D
SCALE	DATE	SHEET	
4/1	6/10/81	1 OF 2	

## X-ON Electronics

Largest Supplier of Electrical and Electronic Components

*Click to view similar products for [RF Connectors / Coaxial Connectors](#) category:*

*Click to view products by [Bel Fuse](#) manufacturer:*

Other Similar products are found below :

[8915-1511-000](#) [89674-0827](#) [6001-7071-019](#) [6002-7051-003](#) [6002-7551-202](#) [6059674-1](#) [619550-1](#) [630059-000](#) [M39030/3-01N](#) [6500-7071-046](#) [6769](#) [CX050L2AQ](#) [7002-1541-010](#) [7002-1542-011](#) [7004-1512-000](#) [7009-1511-004](#) [7010-1511-000](#) [7029-1511-060](#) [7101-1541-010](#) [7101-1571-002](#) [7145-1521-002](#) [7203-1571-003](#) [7209-1511-011](#) [7210-1511-015](#) [7210-1511-019](#) [73137-5015](#) [73216-2241](#) [73404-2300](#) [7405-1521-005](#) [7405-1521-802](#) [8527](#) [8547](#) [FS11V](#) [877931](#) [8808-1511-001](#) [9049-9513-000](#) [9074-9513-000](#) [9101-9573-002](#) [910A205F](#) [9130-9573-002](#) [PL11SC-026](#) [PL375-33](#) [PL40-5](#) [PL74C-221](#) [PL75MC-217](#) [PL803-7](#) [1200690078](#) [1-201144-1](#) [R107003010W](#) [R110A172100](#)