

DATA CONTAINED IN THIS DOCUMENT IS PROPRIETARY TO TROMPETER ELECTRONICS INC. AND SHALL NOT BE DISCLOSED, COPIED OR USED FOR PROCUREMENT OR MANUFACTURE WITHOUT EXPRESS WRITTEN PERMISSION.

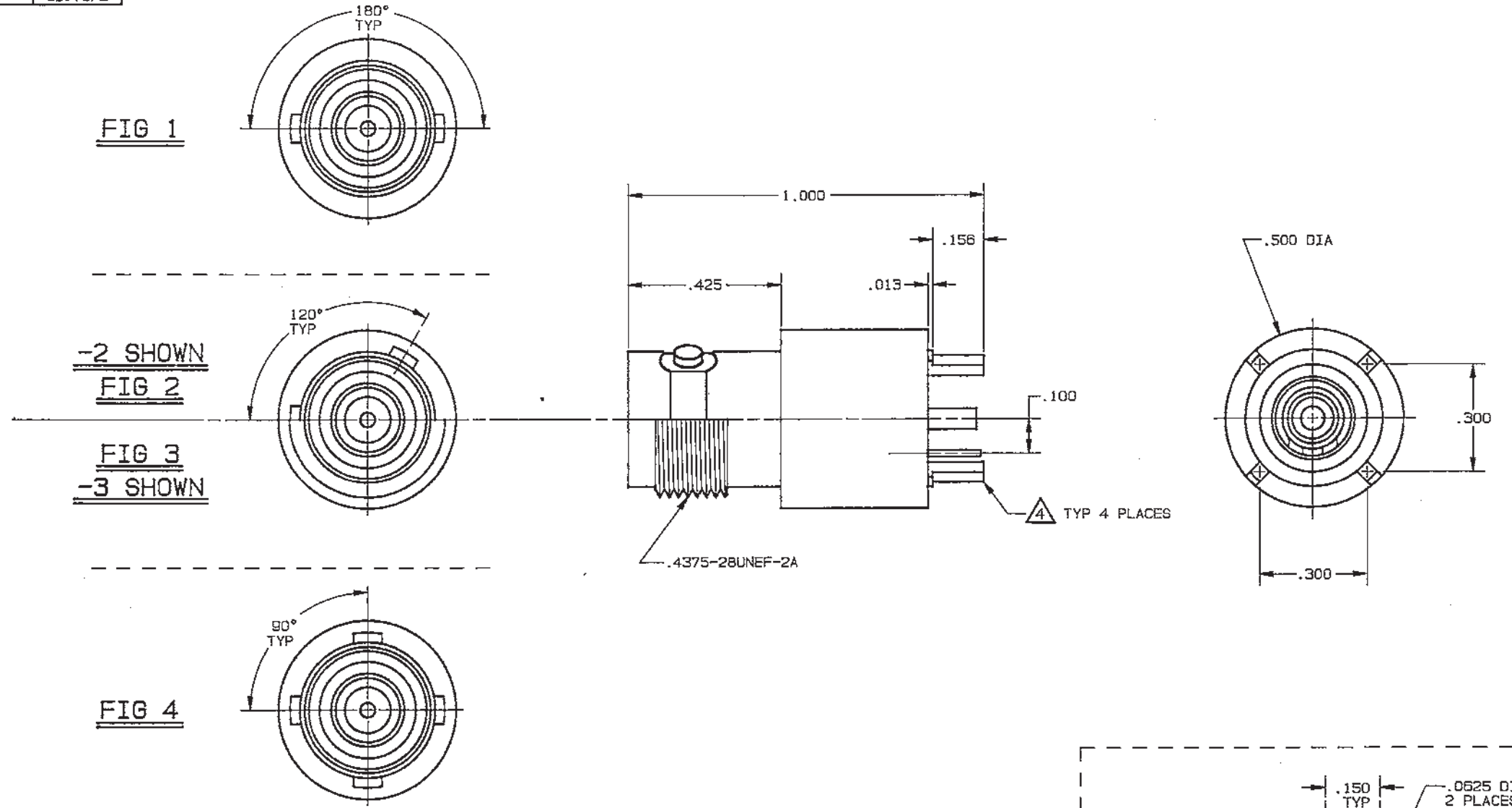
REV		EO	DESCRIPTION	DWN	APPROVED	DATE
A		8534	ADDED NOTE Δ : DWG NO WAS 3000-0003; REDRAWN	DKC	<i>DKC</i>	9-21-89

DISK #
H9

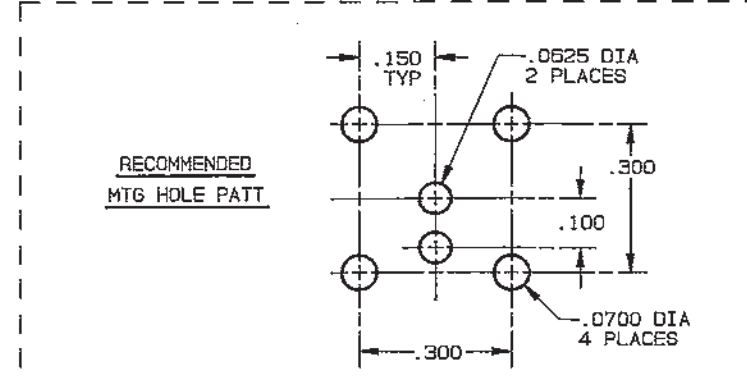
DASH NO	FIG NO	CONN TYP	MODEL NO
-1	1	2-LUG	CBJ70TL
-2	2	3-LUG	CBJ70
-3	3	THREADED	CBJ370
-4	4	4-LUG	CBJ70FL

INCH	MM
.0010	0.03
.0015	0.04
.005	0.13
.013	0.33
.060	1.52
.0625	1.59
.0700	1.78
.100	2.54
.150	3.81
.156	3.96
.300	7.62
.425	10.80
.500	12.70
1.000	25.40

RED INDICATES ORIGINAL



- Δ PRE-TINNED, .0015 MAXIMUM THICKNESS WITH SN63 OR EQUIV SOLDER, PER QQ-S-571, TO WITHIN .060 MAXIMUM OF SHOULDER, AFTER PLATING
3. 2/3 LUG & THREADED CONCENTRIC TWINAX / TRIAX CIRCUIT BOARD MOUNT RECEPTACLE
2. FINISH: TFS-1A (NICKEL)
1. ALL DIM ARE IN INCHES



QTY	DESCRIPTION	PART NUMBER	ITEM
	TOL UNLESS SPECIFIED .xx ± .xxx ± .005 .xxxx ± .0010 ANGLES 1°	TROMPETER RF connectivity	CBJ70/TL/FL/370
DWN	DKC 7-14-89	MATERIAL	CODE IDENT
CHK	<i>DKC</i> 9/6/89		14949
ENGR	<i>DKC</i> 9/19/89		DRAWING NO. 3-0003
APPR	<i>DKC</i> 9/26/89		REV A
NEXT ASSY	APPR	SCALE 4/1	DATE 12-16-86 SHEET 1 OF 2

X-ON Electronics

Largest Supplier of Electrical and Electronic Components

Click to view similar products for [RF Connectors / Coaxial Connectors](#) category:

Click to view products by [Bel Fuse](#) manufacturer:

Other Similar products are found below :

[8915-1511-000](#) [89674-0827](#) [6001-7071-019](#) [6002-7051-003](#) [6002-7551-202](#) [6059674-1](#) [619550-1](#) [630059-000](#) [M39030/3-01N](#) [6500-7071-046](#) [6769](#) [CX050L2AQ](#) [7002-1541-010](#) [7002-1542-011](#) [7004-1512-000](#) [7009-1511-004](#) [7010-1511-000](#) [7029-1511-060](#) [7101-1541-010](#) [7101-1571-002](#) [7145-1521-002](#) [7203-1571-003](#) [7209-1511-011](#) [7210-1511-015](#) [7210-1511-019](#) [73137-5015](#) [73216-2241](#) [73404-2300](#) [7405-1521-005](#) [7405-1521-802](#) [8527](#) [8547](#) [FS11V](#) [877931](#) [8808-1511-001](#) [9049-9513-000](#) [9074-9513-000](#) [9101-9573-002](#) [910A205F](#) [9130-9573-002](#) [PL11SC-026](#) [PL375-33](#) [PL40-5](#) [PL74C-221](#) [PL75MC-217](#) [PL803-7](#) [1200690078](#) [1-201144-1](#) [R107003010W](#) [R110A172100](#)