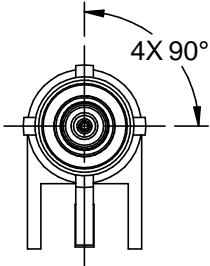
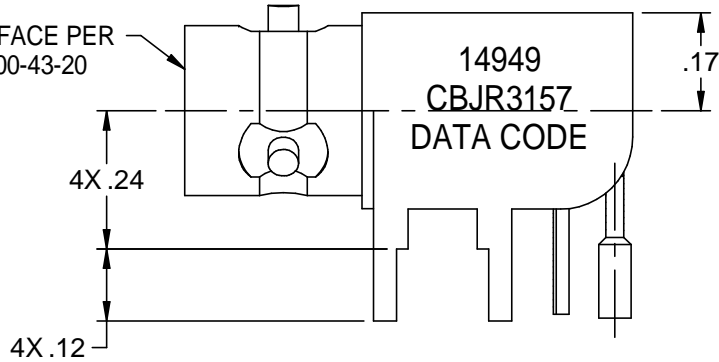


**CBJR157**

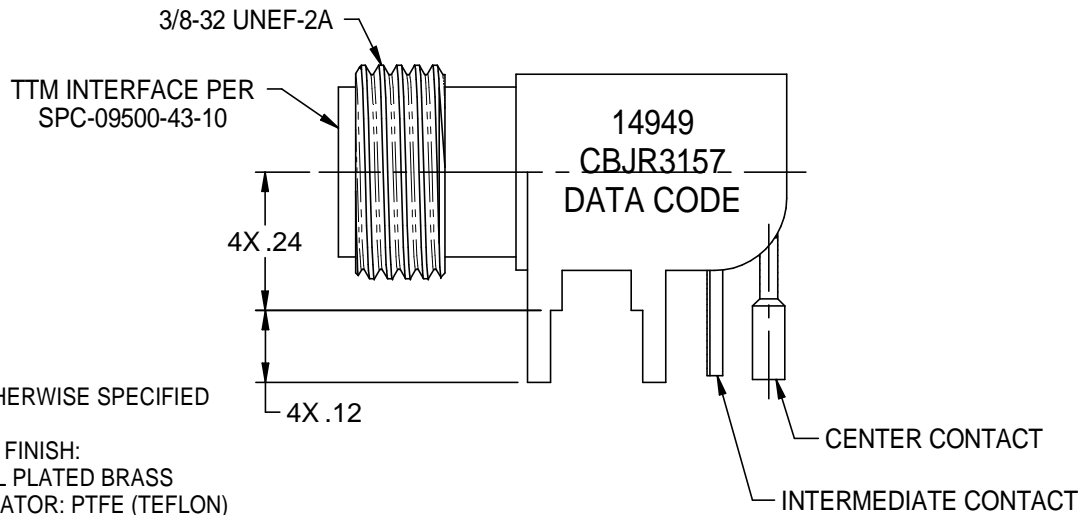
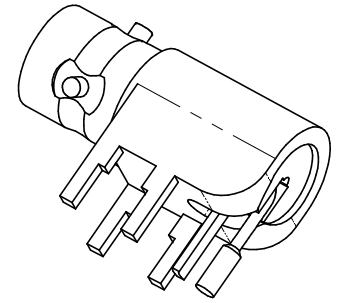
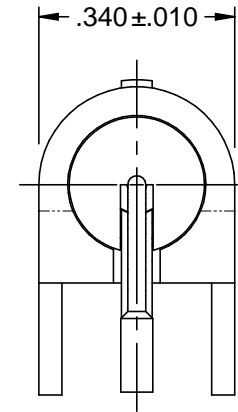


**CBJR157FL**

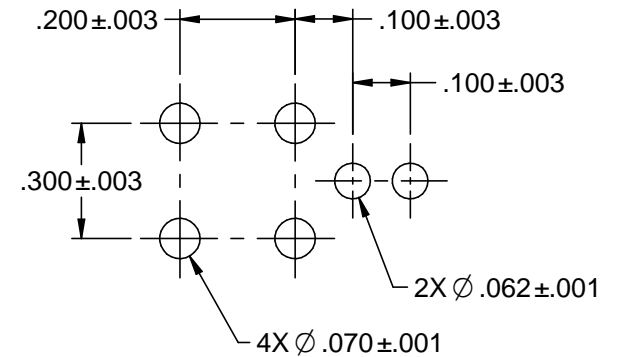
TRS INTERFACE PER  
SPC-09500-43-20



**CBJR157 SHOWN**



**CBJR3157 SHOWN**



**RECOMMENDED MTG  
HOLE PATTERN**

NOTES: UNLESS OTHERWISE SPECIFIED

1. MATERIALS AND FINISH:
  - 1.1 BODY: NICKEL PLATED BRASS
  - 1.2 OUTER INSULATOR: PTFE (TEFLON)
  - 1.3 INTERMEDIATE CONTACT: GOLD PLATED BERYLLIUM COPPER
  - 1.4 DIELECTRIC: PTFE (TEFLON)
  - 1.5 CENTER CONTACT: GOLD PLATED BERYLLIUM COPPER
  - 1.6 BODY LEGS: PRE-TINNED
2. ELECTRICAL:
  - 2.1 IMPEDANCE: NON-CONSTANT
  - 2.2 FREQUENCY (MAX): 500 MHz

|   |   |   |                      |
|---|---|---|----------------------|
|   | 3RD ANGLE PROJECTION                    | <b>TROMPETER</b>                        |                      |
|   |   | Title: TRS / TTM, PC, RIGHT ANGLE, JACK |                      |
| <small>This PROPRIETARY Document is property of Cinch Connectivity Solutions. It is confidential in nature, non-transferable, and issued with the clear understanding that it is not to be traced or copied without permission and is returnable upon demand.</small> | UNLESS OTHERWISE SPECIFIED              | Model No. <b>CBJRX157XX</b>             |                      |
|   | .XX ± .02<br>.XXX ± .005<br>ANGLES ± 2° | Size A                                  | DO NOT SCALE DRAWING |
| <small>INTERPRET DRAWING IN ACCORDANCE WITH ASME Y14.5-2009.</small>  |   |   | Sheet 1 of 1         |

## X-ON Electronics

Largest Supplier of Electrical and Electronic Components

*Click to view similar products for [RF Connectors / Coaxial Connectors](#) category:*

*Click to view products by [Bel Fuse](#) manufacturer:*

Other Similar products are found below :

[8915-1511-000](#) [89674-0827](#) [6001-7071-019](#) [6002-7051-003](#) [6002-7551-202](#) [6059674-1](#) [619550-1](#) [630059-000](#) [M39030/3-01N](#) [6500-7071-046](#) [6769](#) [CX050L2AQ](#) [7002-1541-010](#) [7002-1542-011](#) [7004-1512-000](#) [7009-1511-004](#) [7010-1511-000](#) [7029-1511-060](#) [7101-1541-010](#) [7101-1571-002](#) [7145-1521-002](#) [7203-1571-003](#) [7209-1511-011](#) [7210-1511-015](#) [7210-1511-019](#) [73137-5015](#) [73216-2241](#) [73404-2300](#) [7405-1521-005](#) [7405-1521-802](#) [8527](#) [8547](#) [FS11V](#) [877931](#) [8808-1511-001](#) [9049-9513-000](#) [9074-9513-000](#) [9101-9573-002](#) [910A205F](#) [9130-9573-002](#) [PL11SC-026](#) [PL375-33](#) [PL40-5](#) [PL74C-221](#) [PL75MC-217](#) [PL803-7](#) [1200690078](#) [1-201144-1](#) [R107003010W](#) [R110A172100](#)