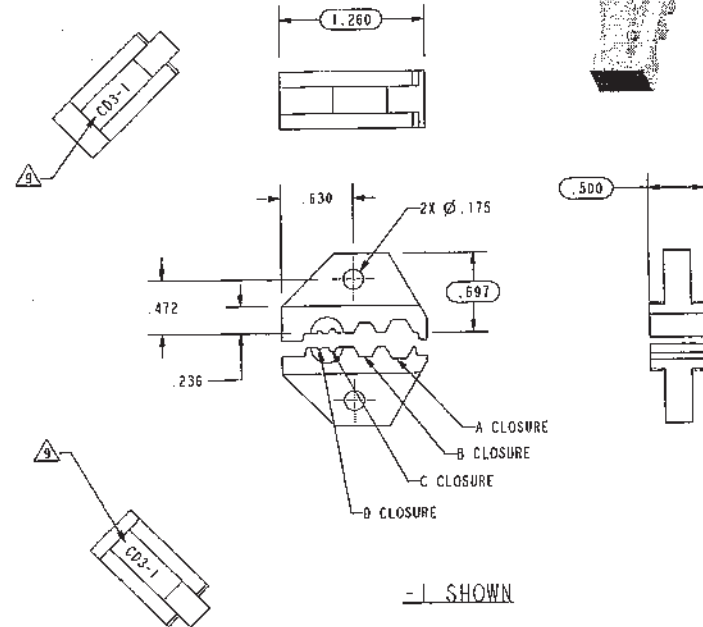


| DASH NUMBER | CLOSURE | | | | CABLE GROUPS ACCOMMODATED | MARKING Δ |
|-------------|---------------|----------|------------|------------|--|------------------|
| | A | B | C Δ | D Δ | | |
| -1 | .213 HEX | .178 HEX | .068 HEX | .042 HEX | -003, -003, -004, -007, -008, -009, -010, -011, -012, -021, -026, -027 | CD3-1 |
| -2 | .324 HEX | .255 HEX | .068 HEX | .042 HEX | -013, -014, -016, -018, -019, -022, -023, -025 (-015, -018 PL130CP) | CD3-2 |
| -3 | .344 HEX | .290 HEX | .068 HEX | .042 HEX | -015, -017, -020, -024 | CD3-3 |
| -4 | .193 SHIELD | .218 HEX | .197 HEX | | -201, -202, -203, -204, -205, -218 | CD3-4 |
| -5 | | .187 HEX | .068 HEX | .042 HEX | -002, -005, -006 | CD3-5 |
| -6 | .308 HEX | .272 HEX | | | -013, -013A, -014 PL130CP ONLY | CD3-6 |
| -7 | .263 SHIELD | .344 HEX | | | -201 THRU -218 ("70" SERIES ONLY) | CD3-7 |
| -8 | .263 SHIELD | .344 HEX | | | -207, -210 THRU -216 ("150AC" LG BODY SERIES ONLY) | CD3-8 |
| -9 | .193 SHIELD | .285 HEX | | | -201 THRU -206, -208, -209, -217, -218 ("150AC" SM BODY SERIES ONLY) | CD3-9 |
| -10 | .218 HEX | .165 HEX | | | -301 (CJ/PL150C, SP8P/8) | CD3-10 |
| -11 | .255 HEX | .178 HEX | | | -025 AT&T (.255), -026 AT&T (.178) | 1047-01 |
| -12 | .324 HEX | .151 HEX | | | -016 AT&T (.324), -027 AT&T (.151) | 1047-02 |
| -13 | .290 HEX | | | | AT&T 6107/027C | 1047-03 |
| -14 | .213 HEX | .178 HEX | .068 HEX | .042 HEX | SPECIAL FOR HTI | CD3-14 |
| -15 | .255 HEX | .178 HEX | .068 HEX | | SPECIAL FOR RYNEX | CD3-15 |
| -16 | .202 CIRCULAR | .042 BOX | | | SPECIAL FOR TELMEH (105-1428/1430) | CD3-16 |
| -17 | .255 HEX | .178 HEX | | | SPECIAL FOR TELECOH (INDENTS HEX SIZE) | CD3-17 |
| -18 | .324 HEX | .178 HEX | | | SPECIAL FOR TELECOH (INDENTS HEX SIZE) | CD3-18 |
| -19 | .178 HEX | .255 HEX | | | -025 AT&T (.255) -026 AT&T (.178) | CD3-19 |
| -20 | | | | | SAVE FOR NBC | CD3-20 |
| -21 | .290 HEX | .255 HEX | .042 HEX | | 1694A BELDON, 1505A BELDON, D2, D3, D4, D6, D8, D9, D11, D12 | CD3-21 |
| -22 | .404 HEX | .068 HEX | | | BELDEN 7731A, COMSCOPE 5905, D5 | CD3-22 |
| -23 | .324 HEX | .290 HEX | | | BELDEN 1694A, BELDEK 8281 | CD3-23 |
| -24 | | .178 HEX | .034 BOX | | NORTEL CABLE TX 1 THRU 32 | CD3-24 |

DATA CONTAINED IN THIS DOCUMENT IS PROPRIETARY OF TROMPETER ELECTRONICS, INC. AND SHALL NOT BE DISCLOSED, COPIED OR USED FOR PROCUREMENT OR MANUFACTURE WITHOUT EXPRESS WRITTEN PERMISSION.

REVISIONS

| REV | DESCRIPTION | DATE | APPROVED |
|-----|-----------------------|----------|-------------|
| AX | REVISED PER ECO 16438 | 10/17/87 | [Signature] |



RED INDICATES ORIGINAL

Δ STAMP OR LASER MARK WITH .12 HIGH GOTHIC CHARACTERS APPROXIMATELY AS SHOWN ON BOTH HALVES. SEE TABLE FOR MARKING

8. -4, -7, -8, & -9 SUPPLIED WITH HEX WRENCH (.050 HEX) FOR SHIELD CRIMP ADJUSTMENT

7. GAUGE HEX CLOSURES PER TGS-3

Δ .068 HEX USED ON 50 Ω CONTACTS AND RIGHT ANGLE 75 Ω CONTACTS ONLY. .042 HEX USED ON 75 Ω CONTACTS ONLY

5. SET DEPTH OF CRIMP PIN AND LOCATOR PIN FOR -7 & -8 POSITION "A" WITH 010-0039-304 GAUGE PER TAI-136

4. SET DEPTH OF CRIMP PIN AND LOCATOR PIN FOR -4 & -9 POSITION "A" WITH 010-0039-301 GAUGE PER TAI-136

3. CRIMP DIE SETS FOR USE WITH HAND CRIMP TOOL (CT3, CT4 AND CT4L)

2. FINISH: BLACK OXIDE

1. ALL DIMENSIONS ARE APPLICABLE TO BOTH DIE HALVES EXCEPT CRIMP DIMENSIONS WHICH ARE FOR DIE HALVES IN A MATED CONDITION.

NOTES: UNLESS OTHERWISE SPECIFIED.

| | | | | | |
|--|-------------------|---|----------------|--|----|
| INTERPRET DRAWING PER MIL-STD-100. DIMENSIONS ARE IN INCHES UNLESS OTHERWISE SPECIFIED. DIMENSIONS UNLESS OTHERWISE SPECIFIED. | | NON-VALUES SPECIFIED: .EX ± .02 .EXX ± .010 ANGLE ± 1° | | TROMPETER RF connectivity <small>a circuit connectivity solutions brand</small> | |
| DATE: CJM 10-24-87 CD3 11/1/87 | MATERIAL: | TITLE: CD3 | | SIZE: B CALC CODE: 14949 DRAWING NO.: 010-0039 AX | |
| NEXT ASSY: | DO NOT SCALE DWG: | SCALE: 1/1 | DATE: 12-22-83 | SHEET: 1C | 1C |

X-ON Electronics

Largest Supplier of Electrical and Electronic Components

Click to view similar products for [Punches & Dies](#) category:

Click to view products by [Bel Fuse](#) manufacturer:

Other Similar products are found below :

[58510-1](#) [63454-1601](#) [63457-0056](#) [63457-3401](#) [730-5/8](#) [730BB-1-3/8](#) [PV-670508-001](#) [1328](#) [1338](#) [13782656](#) [13782673](#) [13782686](#) [AR-24](#)
[1528-TL](#) [1583609-1](#) [1720](#) [1762951-1](#) [2063500-2](#) [19031-0168](#) [AR-20](#) [CD5-8](#) [313336-3](#) [11-19-3122](#) [539663-1](#) [63446-2241](#) [TL-18](#)
[0634451912](#) [1762674-1](#) [63454-0123](#) [68240-1](#) [68247-1](#) [734252](#) [313183-1](#) [PA2029](#) [119174-001](#) [23846-1](#) [11-40-5342](#) [68010-2](#) [690370015](#)
[730BB-1-1/8](#) [730BB-1-1/16](#) [19032-0048](#) [63465-0023](#) [11-40-4438](#) [63457-0041](#) [2906252-01](#) [19032-0202](#) [11-11-0054](#) [11-11-0052](#) [19813-](#)
[5041](#)