

Commercial Grade Attenuators

CGA-1040 Series

Features

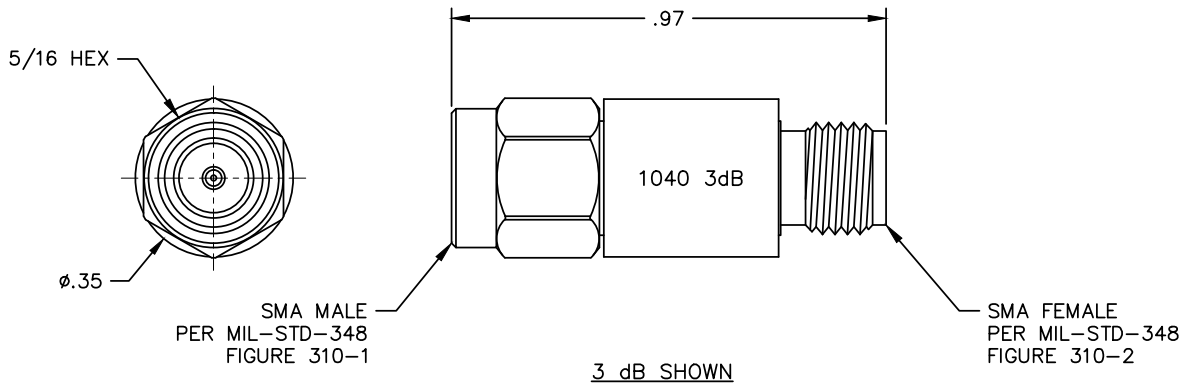
- Best combination of price and performance
- For general commercial use
- 4 GHz operation
- Passivated stainless steel construction
- SMA Male to SMA Female

Applications

- Cellular base stations
- Public safety systems
- Wi-Fi networks hardware
- Active antenna systems
- 5G network hardware
- GPS systems



Part Number	Attenuator	Attenuation	Power	Frequency
CGA-1040-01-SMA-02	SMA Male to SMA Female	1 dB	2W	DC-4GHz
CGA-1040-02-SMA-02	SMA Male to SMA Female	2 dB	2W	DC-4GHz
CGA-1040-03-SMA-02	SMA Male to SMA Female	3 dB	2W	DC-4GHz
CGA-1040-06-SMA-02	SMA Male to SMA Female	6 dB	2W	DC-4GHz
CGA-1040-10-SMA-02	SMA Male to SMA Female	10 dB	2W	DC-4GHz
CGA-1040-20-SMA-02	SMA Male to SMA Female	20 dB	2W	DC-4GHz



Commercial Grade Attenuators CGA-1040 Series

Materials

Housing	Passivated stainless steel
Coupling nut	Passivated stainless steel
Male Center Contact	Gold plated brass
Female Center Contact	Gold plated beryllium copper

Environmental

Operating Temperature	-65° to 85°C
------------------------------	--------------

Electrical

Frequency of Operation	DC-4GHz						
Impedance	50Ω (Nominal)						
Attenuation values available	1, 2, 3, 6, 10, 20 dB						
Attenuation Accuracy	<table border="1"> <tr> <td>1 and 2 dB</td> <td>±0.35 dB</td> </tr> <tr> <td>3 and 6 dB</td> <td>±0.40 dB</td> </tr> <tr> <td>10 and 20 dB</td> <td>±0.50 dB</td> </tr> </table>	1 and 2 dB	±0.35 dB	3 and 6 dB	±0.40 dB	10 and 20 dB	±0.50 dB
1 and 2 dB	±0.35 dB						
3 and 6 dB	±0.40 dB						
10 and 20 dB	±0.50 dB						
VSWR	1.18:1 (max.)						
Input Power (at 25°C)	2W (CW)						

X-ON Electronics

Largest Supplier of Electrical and Electronic Components

Click to view similar products for [Attenuators](#) category:

Click to view products by [Bel Fuse](#) manufacturer:

Other Similar products are found below :

[ATN3580-01](#) [HMC305SLP4ETR](#) [MAAD-009195-000100](#) [TGL4201-00](#) [TGL4201-02](#) [TGL4201-03](#) [TGL4201-06](#) [TGL4201-10](#) [ATN3590-15](#) [20-50TPC](#) [D10AA5Z4](#) [18AH-01](#) [18AH-08](#) [ATN3580-20](#) [ATN3590-09](#) [20-50RP](#) [MASW-008322-000000](#) [PCAF-10](#) [EXB-24AT9AR5X](#) [ATN3580-10](#) [HMC539ALP3ETR](#) [ATN3580-02](#) [WA04P006XCTL](#) [SKY12408-321LF](#) [ATN3580-03](#) [WA04P005XBTL](#) [HMC-VVD104-SX](#) [WA04P007XCTL](#) [SKY12236-11](#) [MAATSS0018TR-3000](#) [HMC656-SX](#) [WA04P001XBTL](#) [MAAV-007941-TR3000](#) [WA04P004XBTL](#) [WA04P002XBTL](#) [HMC941A](#) [PAT0816-C-0DB-T5](#) [PAT0816-C-8DB-T5](#) [PAT0816-C-10DB-T5](#) [PAT1632-C-3DB-T1](#) [PAT1632-C-6DB-T1](#) [PAT1632-C-10DB-T1](#) [PAT1632-C-1DB-T1](#) [PAT0816-C-2DB-T5](#) [PAT0816-C-4DB-T5](#) [DHM510-0100-006](#) [MAT10300](#) [MAT10180](#) [MAATCC0007-TB](#) [MAATCC0011](#)