

Commercial Grade Attenuators

CGA-1040 Series

Features

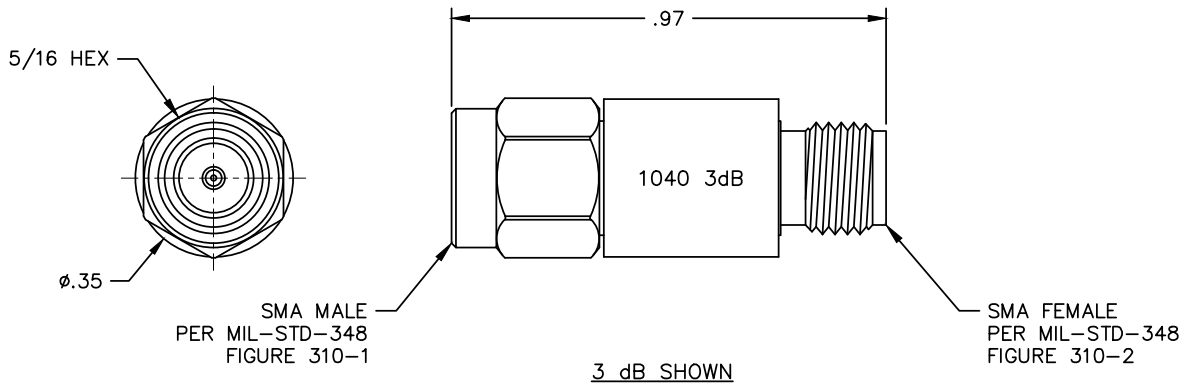
- Best combination of price and performance
- For general commercial use
- 4 GHz operation
- Passivated stainless steel construction
- SMA Male to SMA Female

Applications

- Cellular base stations
- Public safety systems
- Wi-Fi networks hardware
- Active antenna systems
- 5G network hardware
- GPS systems



Part Number	Attenuator	Attenuation	Power	Frequency
CGA-1040-01-SMA-02	SMA Male to SMA Female	1 dB	2W	DC-4 GHz
CGA-1040-02-SMA-02	SMA Male to SMA Female	2 dB	2W	DC-4 GHz
CGA-1040-03-SMA-02	SMA Male to SMA Female	3 dB	2W	DC-4 GHz
CGA-1040-04-SMA-02	SMA Male to SMA Female	4 dB	2W	DC-4 GHz
CGA-1040-05-SMA-02	SMA Male to SMA Female	5 dB	2W	DC-4 GHz
CGA-1040-06-SMA-02	SMA Male to SMA Female	6 dB	2W	DC-4 GHz
CGA-1040-08-SMA-02	SMA Male to SMA Female	8 dB	2W	DC-4 GHz
CGA-1040-10-SMA-02	SMA Male to SMA Female	10 dB	2W	DC-4 GHz
CGA-1040-12-SMA-02	SMA Male to SMA Female	12 dB	2W	DC-4 GHz
CGA-1040-15-SMA-02	SMA Male to SMA Female	15 dB	2W	DC-4 GHz
CGA-1040-20-SMA-02	SMA Male to SMA Female	20 dB	2W	DC-4 GHz



Commercial Grade Attenuators CGA-1040 Series

Materials

Housing	Passivated stainless steel
Coupling nut	Passivated stainless steel
Male Center Contact	Gold plated brass
Female Center Contact	Gold plated beryllium copper

Environmental

Operating Temperature	-65° to 85°C
------------------------------	--------------

Electrical

Frequency of Operation	DC-4GHz						
Impedance	50Ω (Nominal)						
Attenuation values available	1, 2, 3, 4, 5, 6, 8, 10, 12, 15, 20 dB						
Attenuation Accuracy	<table border="1"> <tr> <td>1 and 2 dB</td> <td>±0.35 dB</td> </tr> <tr> <td>3 to 6 dB</td> <td>±0.40 dB</td> </tr> <tr> <td>7 to 20 dB</td> <td>±0.55 dB</td> </tr> </table>	1 and 2 dB	±0.35 dB	3 to 6 dB	±0.40 dB	7 to 20 dB	±0.55 dB
1 and 2 dB	±0.35 dB						
3 to 6 dB	±0.40 dB						
7 to 20 dB	±0.55 dB						
VSWR	1.18:1 (max.)						
Input Power (at 25°C)	2W (CW)						

X-ON Electronics

Largest Supplier of Electrical and Electronic Components

Click to view similar products for [Attenuators - Interconnects](#) category:

Click to view products by [Bel Fuse](#) manufacturer:

Other Similar products are found below :

[R411803119](#) [R413806115](#) [R413808000](#) [R413810115](#) [R413850115](#) [R414510000](#) [R414701000](#) [R415303000](#) [BNC-13](#) [R411800121](#)
[R411801121](#) [R412412124](#) [R412450000](#) [R413800000](#) [R413805000](#) [R413830000](#) [R413840115](#) [R414730000](#) [R415420000](#) [R415703000](#)
[R416010000](#) [R420003110](#) [R411801000](#) [R411815121](#) [R413305000](#) [R413801000](#) [R414520000](#) [R411808121](#) [R412500124](#) [R412414124](#)
[R412501124](#) [R413802000](#) [R412400124](#) [R411700124](#) [R417310130](#) [R411801119](#) [R412419124](#) [R411703124](#) [R412401124](#) [R443131000](#)
[R417130110](#) [R414700000](#) [R414505000](#) [R411802119](#) [R417720128](#) [R420706110](#) [R413811000](#) [R413803115](#) [R414501000](#) [R417903128](#)