

# RED INDICATES ORIGINAL

DATA CONTAINED IN THIS DOCUMENT IS THE PROPERTY OF THE U.S. GOVERNMENT AND IS NOT TO BE REPRODUCED OR DISTRIBUTED IN ANY FORM OR BY ANY MEANS, ELECTRONIC OR MECHANICAL, INCLUDING PHOTOCOPYING, RECORDING, OR BY ANY INFORMATION STORAGE AND RETRIEVAL SYSTEM.

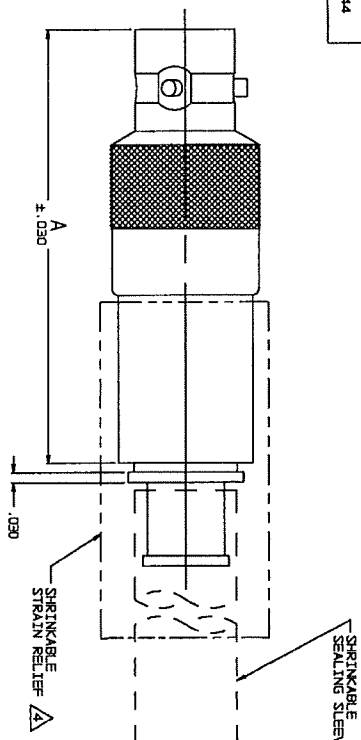
REV	ED	DESCRIPTION	DWG APPROVED	DATE
M	12382	ADDED -224 & -225; SEE ECD	KAY	4/27/56

REV	ED	DESCRIPTION	DWG APPROVED	DATE

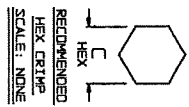
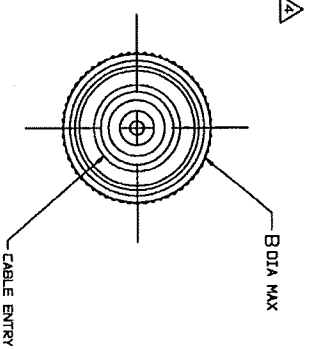
DASH NO	CABLES ACCOMMODATED	A DIM	B DIA	C HEX	ASSEMBLE PER
-201	M12/176-00002				
-202	TRC-78-1				
-203	TRC-124-1A	1.164	.349	.255	TAT-143
-204	10602, RAYCHEM				
-205	TRAC-78-1F2				
-206	78280130, RAYCHEM				
-207	93310 BELDEN	1.289	.452	.344	TAT-187
-208	202-3827 MICRODOT				
-209	202-3842 MICRODOT	1.164	.349	.255	TAT-143
-210	8451 BELDEN				TAT-187
-211	202-3824 MICRODOT				
-212	852480114, RAYCHEM				
-213	TRC-78-2	1.289	.452	.344	TAT-144
-214	TRC-124-2				
-215	BL-982 TIMES				
-216	BL-1242 TIMES				
-217	GC675T24H, GRUMMAN				
-218	EPD 22188B, RAYCHEM				
-219	252601114, RAYCHEM				
-220	GC675SRL, GRUMMAN	1.164	.349	.255	TAT-143
-221	10614, RAYCHEM				
-222	10613, RAYCHEM				
-223	HMS2-1149, HUGHES				
-224	TRCP-124-3				
-225	PS85SPL, PRIME STOCK	1.289	.452	.344	TAT-144

DASH NO	CABLES ACCOMMODATED	A DIM	B DIA	C HEX	ASSEMBLE PER
-301	GC675SRL, GRUMMAN				
-302	GC675SRL, GRUMMAN	1.164	.349	.255	TAT-157
-303	7528A5314, RAYCHEM				
-304					
-305	M12/177-00001				
-306	TRC-50-2	1.289	.452	.344	TAT-173
-307	TRC-75-1				
-308	TRC-75-2	1.289	.452	.344	TAT-198
-309	TRC-50-1	1.164	.349	.255	TAT-157

DASH NO	CABLES ACCOMMODATED	A DIM	B DIA	C HEX	ASSEMBLE PER
-305	M12/177-00001				
-306	TRC-50-2	1.289	.452	.344	TAT-173
-307	TRC-75-1				
-308	TRC-75-2	1.289	.452	.344	TAT-198
-309	TRC-50-1	1.164	.349	.255	TAT-157



-207 SHOWN



- $\Delta$  1. SHRINKABLE STRAIN RELIEF AND/OR SHRINKABLE SEALING SLEEVE SUPPLIED LOOSE AS FOLLOWS:
- a. CABLE GROUPS -207, -210 & -307:
    - 1. SHRINKABLE STRAIN RELIEF (1.00 LONG)
    - 1. SHRINKABLE SEALING SLEEVE (1.25 LONG)
  - b. CABLE GROUPS -201 THROUGH -208, -209, -217 THROUGH -223, -301, -302, -303 & -308
    - 1. SHRINKABLE SEALING SLEEVE (1.25 LONG)
    - 1. SHRINKABLE STRAIN RELIEF (1.75 LONG)
  - c. CABLE GROUPS -211 THROUGH -216, -305, -306 & -308
    - 1. SHRINKABLE STRAIN RELIEF (1.75 LONG)

- 6. EXAMPLE OF COMPLETE MODEL NO.
  - CJ150AC -201
  - CABLE GROUP DASH NO
- 5. EXAMPLE OF COMPLETE PART NO:
  - 3-0226 -201
  - CABLE GROUP DASH NO
  - BASIC PART NO

- 3. 3-PLUG SUBMINATURE CONCENTRIC TWINX (4 PIECE ASSY) AND TRINX (9 PIECE ASSY), FULL GRIP/ CABLE FLIP
- 2. FINISH: TFS-1A (NICKEL)
- 1. ALL DIM ARE IN INCHES

QTY	DESCRIPTION	PART NUMBER	ITEM
1	TRUMPETER ELECTRONICS, INC.	CJ150AC	
	MATERIAL		
	DWG IDENT	14949	
	DRAWING NO.	3-0226	
	REV	M	
	DATE	5-31-85	
	SHEET	1 OF 2	

## X-ON Electronics

Largest Supplier of Electrical and Electronic Components

*Click to view similar products for [RF Connectors / Coaxial Connectors](#) category:*

*Click to view products by [Bel Fuse](#) manufacturer:*

Other Similar products are found below :

[8915-1511-000](#) [89674-0827](#) [6001-7071-019](#) [6002-7051-003](#) [6002-7551-202](#) [6059674-1](#) [619550-1](#) [630059-000](#) [M39030/3-01N](#) [6500-7071-046](#) [6769](#) [CX050L2AQ](#) [7002-1541-010](#) [7002-1542-011](#) [7004-1512-000](#) [7009-1511-004](#) [7010-1511-000](#) [7029-1511-060](#) [7101-1541-010](#) [7101-1571-002](#) [7145-1521-002](#) [7203-1571-003](#) [7209-1511-011](#) [7210-1511-015](#) [7210-1511-019](#) [73137-5015](#) [73216-2241](#) [73404-2300](#) [7405-1521-005](#) [7405-1521-802](#) [8527](#) [8547](#) [FS11V](#) [877931](#) [9049-9513-000](#) [9074-9513-000](#) [9101-9573-002](#) [910A205F](#) [9130-9573-002](#) [PL11SC-026](#) [PL375-33](#) [PL40-5](#) [PL74C-221](#) [PL75MC-217](#) [PL803-7](#) [980-8666-005](#) [1200690078](#) [1-201144-1](#) [R107003010W](#) [R110A172100](#)