

RED INDICATES ORIGINAL

DISK # C 4
 DATA CONTAINED IN THIS DOCUMENT IS PROPRIETARY TO TROMPETER ELECTRONICS INC. AND SHALL NOT BE DISCLOSED, COPIED OR USED FOR PROCUREMENT OR MANUFACTURE WITHOUT EXPRESS WRITTEN PERMISSION.

REV		EO	DESCRIPTION	DWN	APPROVED	DATE
W	8594		ADDED -63 CABLE GROUP; DIM .600 & .655 WERE .570 AND .640; DWG NO WAS 1000-0134 AND REDRAWN	DJK	<i>[Signature]</i>	11-3-89

DASH NO	FIG	CABLES ACCOMMODATED	A DIM	B FLATS	C HEX	D DIA MAX	ASSEMBLE PER
-1	1,3	RG-58	.997	.500	.437	.600	
-U1		ESSEX 821-715					
-2		RG-59					
-U2							
-2A		BELDEN 8297					
-U2A							
-2B		W.E.CO. 730A					
-U2B							
-3		RG-223					
-U3							
-3A		RG-55					
-U3A							
-4		RG-122					
-U4	BELDEN 8218						
-5	RG-174						
-U5	RG-187						
-5A	RG-196						
-U5A							
-5B	HEWLETT-PACKARD						
-U5B	8120-1107						
-6	1	BELDEN 9231	1.030	.562	.500	.655	TAI-101
-U6		RG-5					
-6E		RG-6					
-U6E							
-21	1,3	RG-303	.997	.500	.437	.600	
-U21							
-22		RG-180					
-U22							
-31		GRUMMAN GC8756P1					
-U31		RG-187 DBL SHLD					
-34		BELDEN 8228					
-U34							
-36		275-3991 MICRODOT					
-U36		616-568 AMPEX					
-37		810 RAYCHEM					
-U37							
-41		RG-304, BELDEN					
-U41	9248, 9284, 9383						
-44	BRAND-REX B749						
-U44	60RE C05C032						
-51	1	88281 BELDEN	1.030	.562	.500	.655	
-U51		89120 BELDEN					
-52							
-U52							
-53	1,3	89555 BELDEN	.997	.500	.437	.600	
-U53							
-63		734A, AT&T					
-U63							
-086	2	RG-405					TAI-130
-U086							
-141		RG-402					
-U141							

FIG 1 Δ
- 1 SHOWN

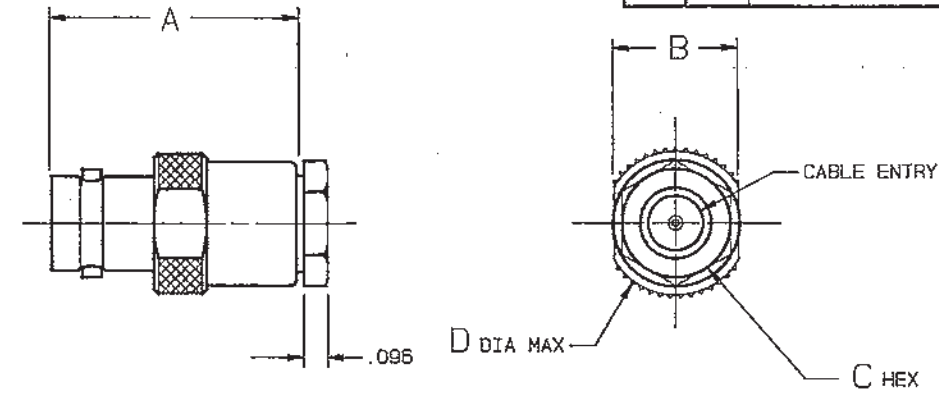


FIG 2
- 086 SHOWN

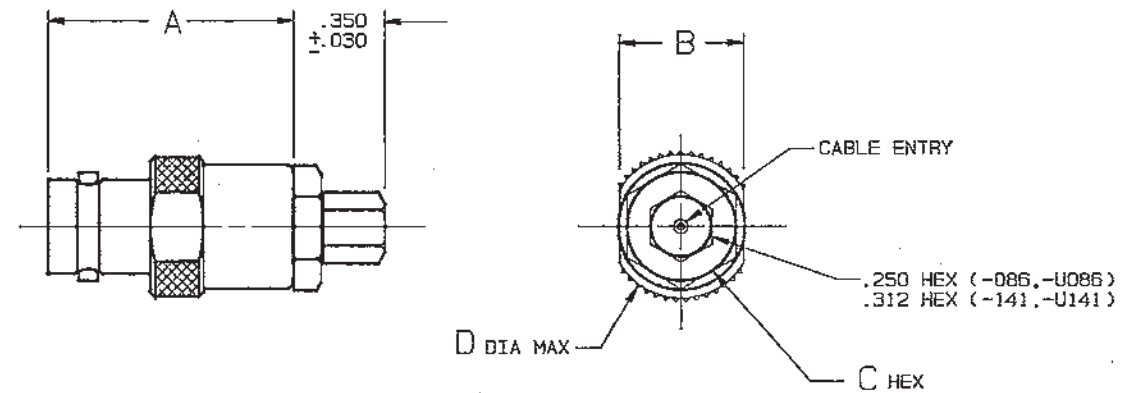
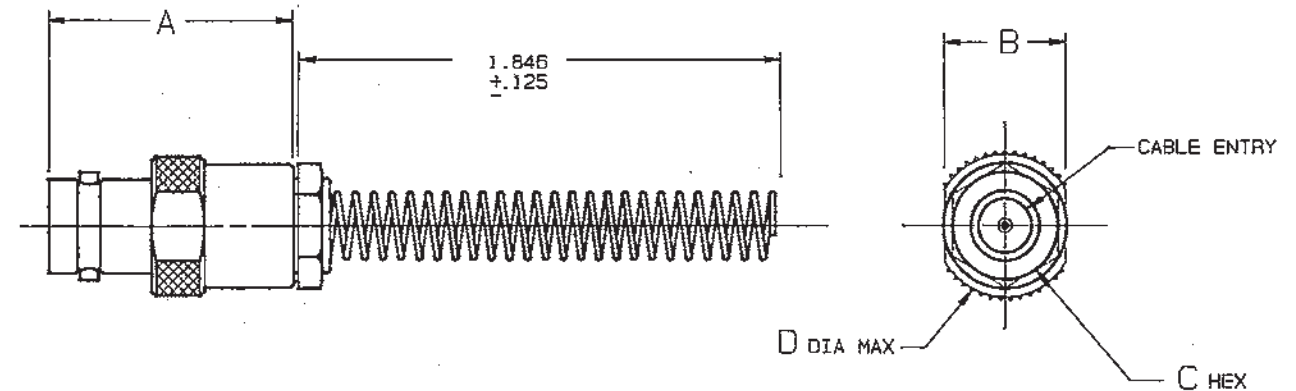


FIG 3 Δ
- 1 SHOWN



INCH	MM
.005	0.13
.030	0.76
.096	2.44
.125	3.18
.250	6.35
.312	7.92
.350	8.89
.437	11.10
.500	12.70
.562	14.27
.600	15.24
.655	16.64
.997	25.32
1.030	26.16
1.846	46.89

Δ IF BEND RELIEF SPRING REQUIRED ADD SUFFIX "BR" TO MODEL NO. (SEE FIG 3) (NOT AVAILABLE WITH CABLE GROUPS -6, -U6, -6E, -U6E, -51, -U51, -52, -U52, -63, -U63, -086, -U086, -141 & -U141)

4. DASH NO DENOTES CABLE GROUP EXCEPT "U" PREFIX DENOTES 75 OHM VERSION
3. FEMALE TYPE BNC COAXIAL CABLE PLUG BOTH 50 & 75 OHM VERSIONS
2. FINISH: TFS-1A (NICKEL)
1. ALL DIM ARE IN INCHES

DESCRIPTION		PART NUMBER		ITEM
105-0717	105-0449	CJ20/UCJ20		
110-0002	1-0220	CJ20BR/UCJ20BR		
205-0001	1-0218			
105-1010	1-0204			
105-1004	1-0212			
105-0158	NEXT ASSY			

TOL UNLESS SPECIFIED				CJ20/UCJ20 CJ20BR/UCJ20BR	
.XX ±	.XXX ± .005	DWN	DJK	9/15/89	MATERIAL
.XXX ±	.XXXX ±	CHK	DJK	10/27/89	CODE IDENT
ANGLE ±		ENGR	DJK	10/31/89	14949
		APPR	DJK	11-3-89	DRAWING NO.
					1-0134
					REV
					W
					SCALE 2/1
					DATE 1/17/66
					SHEET 1 OF 2

X-ON Electronics

Largest Supplier of Electrical and Electronic Components

Click to view similar products for [RF Connectors / Coaxial Connectors](#) category:

Click to view products by [Bel Fuse](#) manufacturer:

Other Similar products are found below :

[8915-1511-000](#) [89674-0827](#) [6001-7071-019](#) [6002-7051-003](#) [6002-7551-202](#) [6059674-1](#) [619550-1](#) [630059-000](#) [M39030/3-01N](#) [6500-7071-046](#) [6769](#) [CX050L2AQ](#) [7002-1541-010](#) [7002-1542-011](#) [7004-1512-000](#) [7009-1511-004](#) [7010-1511-000](#) [7029-1511-060](#) [7101-1541-010](#) [7101-1571-002](#) [7145-1521-002](#) [7203-1571-003](#) [7209-1511-011](#) [7210-1511-015](#) [7210-1511-019](#) [73137-5015](#) [73216-2241](#) [73404-2300](#) [7405-1521-005](#) [7405-1521-802](#) [8527](#) [8547](#) [FS11V](#) [877931](#) [9049-9513-000](#) [9074-9513-000](#) [9101-9573-002](#) [910A205F](#) [9130-9573-002](#) [PL11SC-026](#) [PL375-33](#) [PL40-5](#) [PL74C-221](#) [PL75MC-217](#) [PL803-7](#) [980-8666-005](#) [1200690078](#) [1-201144-1](#) [R107003010W](#) [R110A172100](#)