

DRG # H 1
 ENG SIZE C
 DATA CONTAINED IN THIS DOCUMENT IS PROPRIETARY TO TROMPETER ELECTRONICS INC. AND SHALL NOT BE DISCLOSED, COPIED OR USED FOR REPRODUCTION OR MANUFACTURE WITHOUT EXPRESS WRITTEN PERMISSION.

REVISONS			3-0135	SH 1
REV	EO	DESCRIPTION	DWN	APPROVED
B	10050	PICTORIALLY CHANGED 1.00 FLARED SEALING SLEEVE TO STRAIGHT (1.25) LONG SEALING SLEEVE; GENERAL UPDATE	DKC	<i>[Signature]</i> 12/28/92

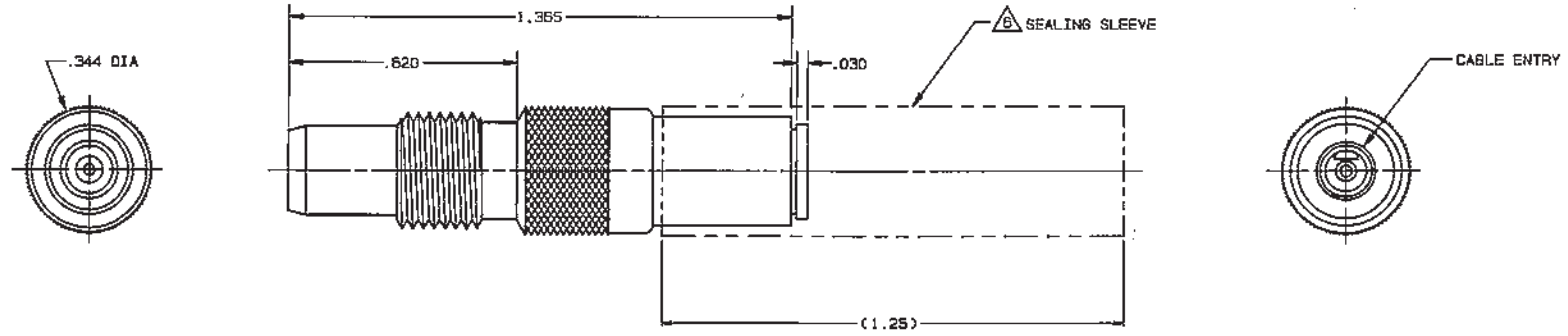
TABLE 1

DASH NO	MODEL NO	CENTER CONTACT/INTMO CONTACT TYPE
-1	CJ3450AC P	SOCKET/PIN
-2	CJ3450AC S	PIN/SOCKET

TABLE 2

CABLE GROUP NO	CABLES ACCOMMODATED	ASSEMBLE PER
-201	M17-176-00002	TAI-162
-202	TWC-78-1, TROMPETER	
-203	TWC-124-1A, TROMPETER	
-204	10602, RAYCHEM	
-205	TWAC-78-1F2, TROMPETER	
-206	7826DD130, RAYCHEM	
-208	202-3927, MICRODOT	
-209	202-3942, MICRODOT	
-212	2524E0114, RAYCHEM	
-217	GC875TH24H GRUMMAN	
-218	EPD22188B, RAYCHEM	
-219	2526D1114, RAYCHEM	
-220	GC875HR1, GRUMMAN	
-221	10614, RAYCHEM	
-222	10613, RAYCHEM	
-223	HMS2-1149, HUGHES	

INCH	MM
.010	0.25
.030	0.76
.05	1.52
.255	6.48
.344	8.74
.620	15.75
1.25	31.75
1.365	34.67



5. EXAMPLE OF COMPLETE MODEL NO:
CJ3450AC P-201
 BASIC MODEL NO (SEE TABLE 1) — CABLE GROUP NO (SEE TABLE 2)
 — CENTER & INTERMEDIATE CONTACT TYPE (SEE TABLE 1)

4. EXAMPLE OF COMPLETE PART NO:
3-0135-1-201
 BASIC PART NO — CABLE GROUP NO (SEE TABLE 2)
 — DASH NO (SEE TABLE 1)



RECOMMENDED
HEX CRIMP

3. CONCENTRIC TWINAX 4 PIECE ASSY, FULL CRIMP NONINSULATED BULKHEAD MOUNT RECEPTACLE, SOCKET CENTER CONTACT AND PIN INTERMEDIATE CONTACT OR PIN CENTER CONTACT AND SOCKET INTERMEDIATE CONTACT

2. FINISH: TFS-1U

1. ALL DIM ARE IN INCHES

(B) SEALING SLEEVE AND CRIMP BUSHING TO BE SUPPLIED LOOSE WITH EACH CONNECTOR

QTY	DESCRIPTION	PART NUMBER	ITEM
TO, UNLESS SPECIFIED			
.XX ± .05			
.XXX ± .010			
.XXXX ANGLE			
DWN DKC 112-2-92	MATERIAL	CODE IDENT	DRAWING NO.
CHK <i>[Signature]</i>		14949	3-0135
ENGR <i>[Signature]</i>	APPR <i>[Signature]</i>	DATE 3/6/89	SHEET 1 OF 2
NEXT ASSY	SCALE 4/1	DATE 12/28/92	

X-ON Electronics

Largest Supplier of Electrical and Electronic Components

Click to view similar products for [RF Connectors / Coaxial Connectors](#) category:

Click to view products by [Bel Fuse](#) manufacturer:

Other Similar products are found below :

[8915-1511-000](#) [89674-0827](#) [6001-7071-019](#) [6002-7051-003](#) [6002-7551-202](#) [6059674-1](#) [619550-1](#) [630059-000](#) [M39030/3-01N](#) [6500-7071-046](#) [6769](#) [CX050L2AQ](#) [7002-1541-010](#) [7002-1542-011](#) [7004-1512-000](#) [7009-1511-004](#) [7010-1511-000](#) [7029-1511-060](#) [7101-1541-010](#) [7101-1571-002](#) [7145-1521-002](#) [7203-1571-003](#) [7209-1511-011](#) [7210-1511-015](#) [7210-1511-019](#) [73137-5015](#) [73216-2241](#) [73404-2300](#) [7405-1521-005](#) [7405-1521-802](#) [8527](#) [8547](#) [FS11V](#) [877931](#) [9049-9513-000](#) [9074-9513-000](#) [9101-9573-002](#) [910A205F](#) [9130-9573-002](#) [PL11SC-026](#) [PL375-33](#) [PL40-5](#) [PL74C-221](#) [PL75MC-217](#) [PL803-7](#) [980-8666-005](#) [1200690078](#) [1-201144-1](#) [R107003010W](#) [R110A172100](#)