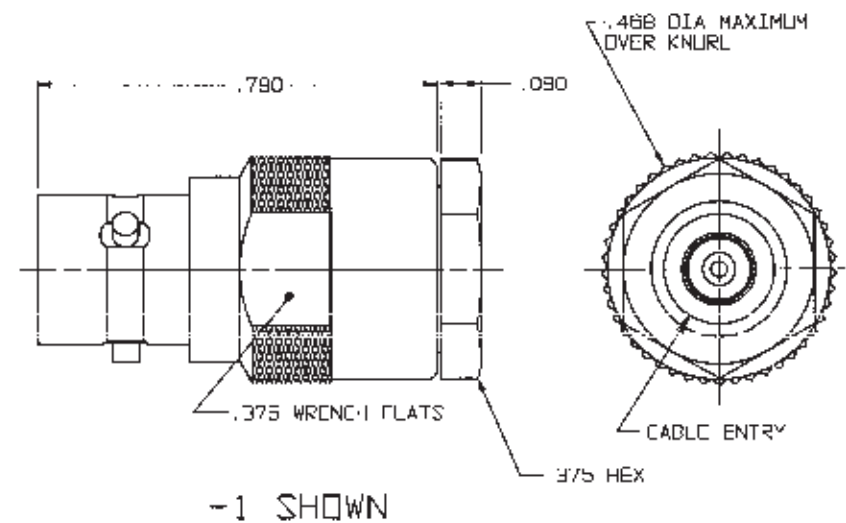
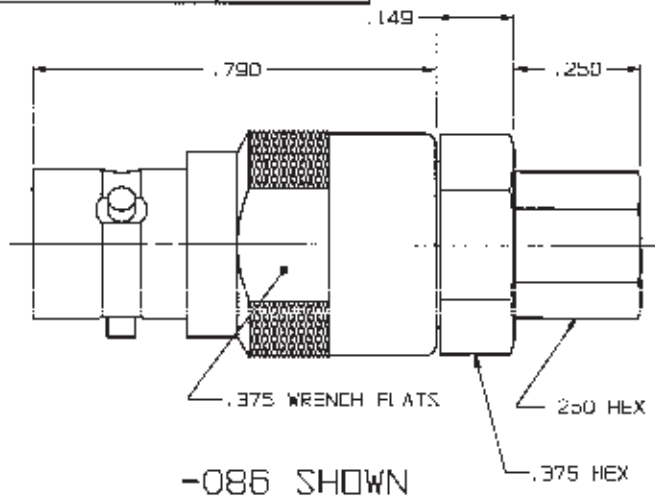


RED INDICATES ORIGINAL

CASH NO	CABLES ACCOMMODATED	ASSEMBLY PER	INLH	PM
-1	RG-58	TAI-135	.005	0.13
-2	RG-59		.060	2.03
-2A	B279 BELDEN		.149	3.78
-2B	730A AT&T 4	TAI-10B	.250	6.35
-3	RG-223	TAI-135	.375	9.53
-4	RG-122		.468	11.89
-5	RG-174		.790	20.07
-5A	RG-196			
-22	RG-180			
-31	GRIMMAN GCR755P:	TAI-130		
-36	CXN1362; GDRE			
-086	RG-405			
-141	RG-402			

DWG SIZE: **B**
 DATA CONTAINED IN THIS DOCUMENT IS PROPRIETARY TO TROMPETER ELECTRONICS, INC. AND SHALL NOT BE DISCLOSED, COPIED OR USED FOR PROCUREMENT OR MANUFACTURE WITHOUT EXPRESS WRITTEN PERMISSION.

REVISIONS			1-0137		SH 1
REV	ECO	DESCRIPTION	DWN	APPROVED	DATE
M	118/5	REVISED, REDRAWN AND GENERAL UPDATE. ADDED -36; DRAWING NUMBER WAS 1000-0137, SEE ECO	DKC	<i>[Signature]</i>	10/12/86



- 4 NOT WRENCH CRIMP
3. FEMALE TYPE TPS COAXIAL JACK
 2. FINISH: TFS-1A (NICKEL)
 1. ALL DIMENSIONS ARE IN INCHES

QTY	DESCRIPTION	PART NUMBER	ITEM
TOL UNLESS SPECIFIED .XX ± .XXX ±.005 .XXXX ± ANGLES	TROMPETER RF connectivity <small>a rf connectivity solutions brand</small>	CJ50	
DWN	DKC 10-11-86	MATERIAL	CODE ICENT
CHK	<i>[Signature]</i> 10-23-86		14949
ENGR		DRAWING NO.	REV
APPR	<i>[Signature]</i> 10/25/86	1-0137	M
NEXT ASSY	SCALE 4/1	DATE 1-17-86	SHEET 1 OF 2

X-ON Electronics

Largest Supplier of Electrical and Electronic Components

Click to view similar products for [RF Connectors / Coaxial Connectors](#) category:

Click to view products by [Bel Fuse](#) manufacturer:

Other Similar products are found below :

[8915-1511-000](#) [89674-0827](#) [6001-7071-019](#) [6002-7051-003](#) [6002-7551-202](#) [6059674-1](#) [619550-1](#) [630059-000](#) [M39030/3-01N](#) [6500-7071-046](#) [6769](#) [CX050L2AQ](#) [7002-1541-010](#) [7002-1542-011](#) [7004-1512-000](#) [7009-1511-004](#) [7010-1511-000](#) [7029-1511-060](#) [7101-1541-010](#) [7101-1571-002](#) [7145-1521-002](#) [7203-1571-003](#) [7209-1511-011](#) [7210-1511-015](#) [7210-1511-019](#) [73137-5015](#) [73216-2241](#) [73404-2300](#) [7405-1521-005](#) [7405-1521-802](#) [8527](#) [8547](#) [FS11V](#) [877931](#) [8808-1511-001](#) [9049-9513-000](#) [9074-9513-000](#) [9101-9573-002](#) [910A205F](#) [9130-9573-002](#) [PL11SC-026](#) [PL375-33](#) [PL40-5](#) [PL74C-221](#) [PL75MC-217](#) [PL803-7](#) [980-8666-005](#) [1200690078](#) [1-201144-1](#) [R107003010W](#)