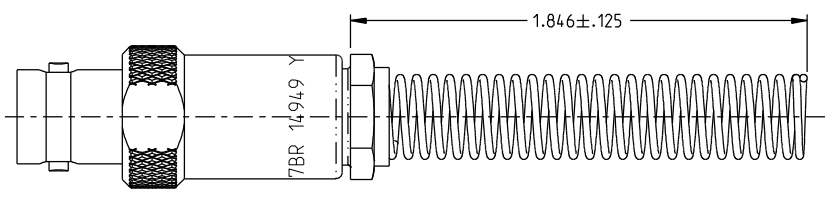
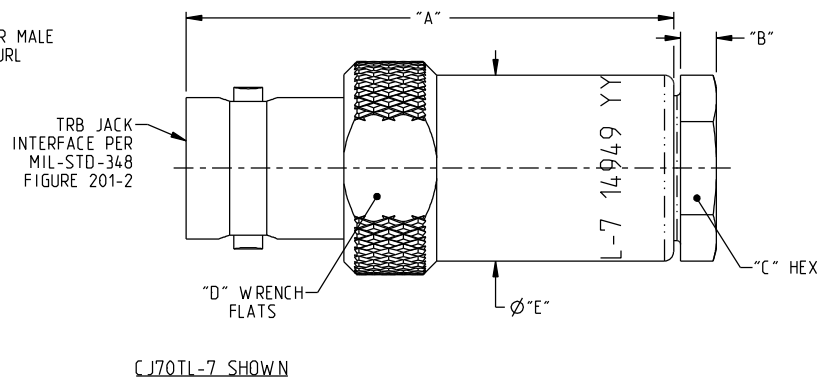
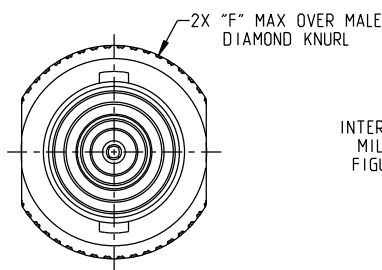
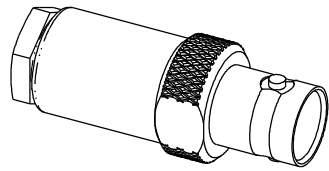


TABLE 1									
MODEL NUMBER	CABLES ACCOMMODATED	ASSEMBLE PER	"A"	"B"	"C"	"D"	Ø"E"	Ø"F"	SH
CJ70TL-7	TRC-50-2 TRC-75-2	TAI-189	1.314	.096	.438	.500	.500	.593	1
CJ70TL-7-1M	TRC-50-2 TRC-75-2	TAI-189	1.314	.096	.438	.500	.500	.593	2
CJ70TL-8	8227 BELDEN	TAI-103	1.648	.130	.625	.688	.750	.775	1
CJ70TL-9	TWC-78-2 TWC-124-2	TAI-102	1.314	.096	.438	.500	.500	.593	1
CJ70TL-10	RG-22 754E W.E.CO.	TAI-103	1.648	.130	.625	.688	.750	.775	1
CJ70TL-11	760A W.E.CO.								
CJ70TL-12	16 PEVL W.E.CO. V1-AL GENERAL	TAI-128							
CJ70TL-13	TRF-59 TIMES	TAI-129							
CJ70TL-13A	8232 BELDEN	TAI-165							
CJ70TL-14	8233 BELDEN	TAI-129							
CJ70TL-23	250-3884 MICRODOT	TAI-189							
CJ70TL-24	202-3934 MICRODOT	TAI-102							
CJ70TL-24A	9530A5117 RAYCHEM	TAI-189							
CJ70TL-25	T-43M GENERAL	TAI-102							
CJ70TL-25A	5021H5331 RAYCHEM	TAI-189	1.314	.096	.438	.500	.500	.593	1
CJ70TL-26	7028A5518 RAYCHEM								
CJ70TL-27	T191PSJ2619EN WOVEN 202-3927 MICRODOT 202-3942 MICRODOT	TAI-102	1.314	.096	.438	.500	.500	.593	1
CJ70TL-29	TWC-78-1 TWC-124-1A								
CJ70TL-30	761A W.E.CO. 8441 BELDEN	TAI-189	1.314	.096	.438	.500	.500	.593	1
CJ70TL-32	TRC-50-1								
CJ70TL-33	TRC-75-1								
CJ70TL-42	21-204 ESSEX 4463 CONSOLIDATED								
CJ70TL-43	250-4044 250-4045 293-3930 MICRODOT	TAI-102	1.648	.130	.625	.688	.750	.775	1
CJ70TL-45	M27500-22TE2T14 1100-66F STANDARD								
CJ70TL-46	9860 BELDEN	TAI-103	1.314	.096	.438	.500	.500	.593	1
CJ70TL-47	M17/176-00002	TAI-102	1.648	.130	.625	.688	.750	.775	1
CJ70TL-49	TWAC-78-1F2								
CJ70TL-54	89207 BELDEN	TAI-103	1.314	.096	.438	.500	.500	.593	1
CJ70TL-55	89272 BELDEN	TAI-102							
CJ70TL-56	GC875GC1, GRUMMAN	TAI-189	1.314	.096	.438	.500	.500	.593	1
CJ70TL-57	GC875GB1, GRUMMAN								
CJ70TL-58	GC875TM24H, GRUMMAN	TAI-102							
CJ70TL-59	GC875LN1, GRUMMAN	TAI-189	1.314	.096	.438	.500	.500	.593	1
CJ70TL-60	M17/177 THERMATICS 380-10045 BOEING								
CJ70TL-64	7528A5314, RAYCHEM								

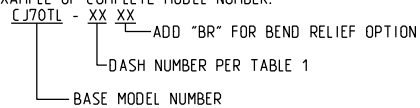


NOTES: UNLESS OTHERWISE SPECIFIED.

- MATERIAL & FINISH:
 - BODY, CONE & CLAMP NUT: NICKEL PLATED BRASS
 - INSULATOR & DIELECTRIC: PTFE (TEFLON)
 - INTERMEDIATE CONTACT: GOLD PLATED BRASS
 - CENTER CONTACT: GOLD PLATED BERYLLIUM COPPER
 - BEND RELIEF SPRING ASSY:
 - NUT NICKEL PLATED BRASS
 - SPRING: PASSIVATED STAINLESS STEEL

- ELECTRICAL:
 - FREQUENCY (MAX): 500 MHZ
 - IMPEDANCE: NON-CONSTANT

3. EXAMPLE OF COMPLETE MODEL NUMBER:



CJ70TL-7BR SHOWN
(UNLESS SPECIFIED DIMENSIONS ARE COMMON TO ALL DASH NUMBERS)

		TROMPETER	
		TRB CABLE JACK, WRENCH CRIMP	
<small>This document is the property of Cinch Connectors. It is to be controlled in nature, non-transferable, and should be used only for the purpose intended. Reproduction or distribution without permission is prohibited.</small>	<small>RoHS2 2011/65/EU</small>	<small>MODEL NO.</small> CJ70TL-XXXX	<small>SHEET</small> 1 OF 2
<small>INTERPRET DIMENSIONS IN ACCORDANCE WITH ASME Y14.5-2009.</small>	<small>DO NOT SCALE DRAWING</small>	<small>DATE</small> 4/2/2018	<small>SHEET</small> 1 OF 2

X-ON Electronics

Largest Supplier of Electrical and Electronic Components

Click to view similar products for [RF Connectors / Coaxial Connectors](#) category:

Click to view products by [Bel Fuse](#) manufacturer:

Other Similar products are found below :

[8915-1511-000](#) [89674-0827](#) [6001-7071-019](#) [6002-7051-003](#) [6002-7551-202](#) [6059674-1](#) [619550-1](#) [630059-000](#) [M39030/3-01N](#) [6500-7071-046](#) [6769](#) [CX050L2AQ](#) [7002-1541-010](#) [7002-1542-011](#) [7004-1512-000](#) [7009-1511-004](#) [7010-1511-000](#) [7029-1511-060](#) [7101-1541-010](#) [7101-1571-002](#) [7145-1521-002](#) [7203-1571-003](#) [7209-1511-011](#) [7210-1511-015](#) [7210-1511-019](#) [73137-5015](#) [73216-2241](#) [73404-2300](#) [7405-1521-005](#) [7405-1521-802](#) [8527](#) [8547](#) [FS11V](#) [877931](#) [8808-1511-001](#) [9049-9513-000](#) [9074-9513-000](#) [9101-9573-002](#) [910A205F](#) [9130-9573-002](#) [PL11SC-026](#) [PL375-33](#) [PL40-5](#) [PL74C-221](#) [PL75MC-217](#) [PL803-7](#) [1200690078](#) [1-201144-1](#) [R107003010W](#) [R110A172100](#)