

DWG SIZE C	DATA CONTAINED IN THIS DOCUMENT IS PROPRIETARY TO TROMPETER ELECTRONICS INC. AND SHALL NOT BE DISCLOSED, COPIED OR USED FOR PROCUREMENT OR MANUFACTURE WITHOUT EXPRESS WRITTEN PERMISSION.	REVISIONS		3-0217	SH 1	
		REV	DESCRIPTION	DWN	APPROVED	DATE
		J	REVISED PER ECO 16421	L.M.	<i>[Signature]</i>	

DASH NO	CABLES ACCOMMODATED	A DIM	B DIM	C HEX	D FLATS	E DIA	F DIA MAX	CABLE ENTRY DIA	ASSEMBLE PER
-7	TRC-50-2 TRC-75-2	1.314	.096	.438	.500	.500	.593	.274	TAI-189
-8	8227 BELDEN	1.648	.130	.625	.688	.750	.775	.345	TAI-103
-9	TWC-78-2 TWC-124-2	1.314	.096	.438	.500	.500	.593	.285	TAI-102
-10	RG-22 754E W.E.CO.							.455	TAI-103
-11	760A W.E.CO.							.347	
-12	16 PEVL W.E.CO. VI-AL GENERAL	1.648	.130	.625	.688	.750	.775	.485	TAI-128
-13	TRF-59 TIMES							.362	TAI-129
-13A	8232 BELDEN							.352	TAI-165
-14	8233 BELDEN							.490	TAI-129
-23	250-3884 MICRODOT							.183	TAI-189
-24	202-3934 MICRODOT							.191	TAI-102
-24A	9530A5117 RAYCHEM							.200	TAI-189
-25	T-43M GENERAL							.285	TAI-102
-25A	5021H5331 RAYCHEM							.191	TAI-189
-26	7028A5518 RAYCHEM							.191	TAI-189
-27	T19TSPJ2619EN WOVEN 202-3927 MICRODOT 202-3942 MICRODOT	1.314	.096	.438	.500	.500	.593	.145	TAI-102
-29	TWC-78-1/TWC-124-1A							.191	
-30	761A W.E.CO. 8441 BELDEN							.235	
-32	TRC-50-1							.191	
-33	TRC-75-1							.217	
-42	21-204 ESSEX 4463 CONSOLIDATED							.300	TAI-189
-43	250-4044/250-4045 293-3930 MICRODOT							.200	
-45	M27500-22TE2T14 1100-66F STANDARD							.183	TAI-102
-46	9860 BELDEN	1.648	.130	.625	.688	.750	.775	.475	TAI-103
-47	M17/176-00002							.164	TAI-102
-49	TWAC-78-1F2	1.314	.096	.438	.500	.500	.593	.132	
-54	89207 BELDEN	1.648	.130	.625	.688	.750	.775	.323	TAI-103
-55	89272 BELDEN							.250	TAI-102
-56	GC875GC1, GRUMMAN							.191	TAI-189
-57	GC875GB1, GRUMMAN								
-58	GC875TM24H, GRUMMAN							.198	TAI-102
-59	GC875LN1, GRUMMAN	1.314	.096	.438	.500	.500	.593	.217	TAI-189
-60	M17/177 THERMATICS 380-10045 BOEING							.183	
-64	7528A5314, RAYCHEM								

FIG 1
- 9 SHOWN

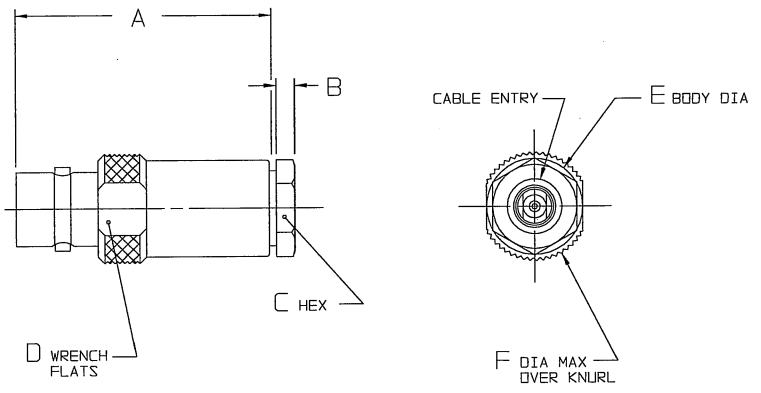
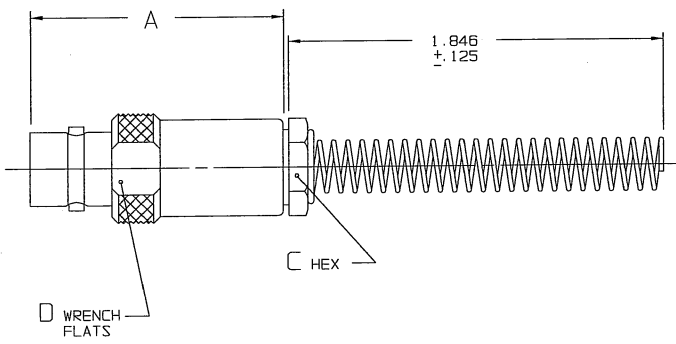


FIG 2
- 9 SHOWN



RED INDICATES ORIGINAL

△ FOR BEND RELIEF SPRING (FIG 2) ADD SUFFIX "BR" TO MODEL NO (NOT AVAILABLE WITH CABLE GROUPS -8, -10, -11, -12, -13, -14, -46 AND -54)

- 3. INTERFACE: TCS-BJ79
- 2. 2 LUG CONCENTRIC TWINAX/TRIAX TRB CABLE RECEPTACLE
- 1. FINISH: TFS-1A (NICKEL)

QTY	DESCRIPTION		PART NUMBER	ITEM
TOL UNLESS SPECIFIED .XX ± .XXX ± .005 XXXX ± ANGLE	TROMPETER ELECTRONICS, INC.		CJ70TL/CJ70TLBR	
DWN	L.M.	7-25-07	MATERIAL	CODE IDENT
CHK	Jc	8-24-07	14949	DRAWING NO.
ENGR				3-0217
APPR	Jm	8/24/07	SCALE 2/1	DATE 7/5/84
305-0515				SHEET 1C
NEXT ASSY				

X-ON Electronics

Largest Supplier of Electrical and Electronic Components

Click to view similar products for [RF Connectors / Coaxial Connectors](#) category:

Click to view products by [Bel Fuse](#) manufacturer:

Other Similar products are found below :

[8915-1511-000](#) [89674-0827](#) [6001-7071-019](#) [6002-7051-003](#) [6002-7551-202](#) [6059674-1](#) [619550-1](#) [630059-000](#) [M39030/3-01N](#) [6500-7071-046](#) [6769](#) [CX050L2AQ](#) [7002-1541-010](#) [7002-1542-011](#) [7004-1512-000](#) [7009-1511-004](#) [7010-1511-000](#) [7029-1511-060](#) [7101-1541-010](#) [7101-1571-002](#) [7145-1521-002](#) [7203-1571-003](#) [7209-1511-011](#) [7210-1511-015](#) [7210-1511-019](#) [73137-5015](#) [73216-2241](#) [73404-2300](#) [7405-1521-005](#) [7405-1521-802](#) [8527](#) [8547](#) [FS11V](#) [877931](#) [8808-1511-001](#) [9049-9513-000](#) [9074-9513-000](#) [9101-9573-002](#) [910A205F](#) [9130-9573-002](#) [PL11SC-026](#) [PL375-33](#) [PL40-5](#) [PL74C-221](#) [PL75MC-217](#) [PL803-7](#) [1200690078](#) [1-201144-1](#) [R107003010W](#) [R110A172100](#)