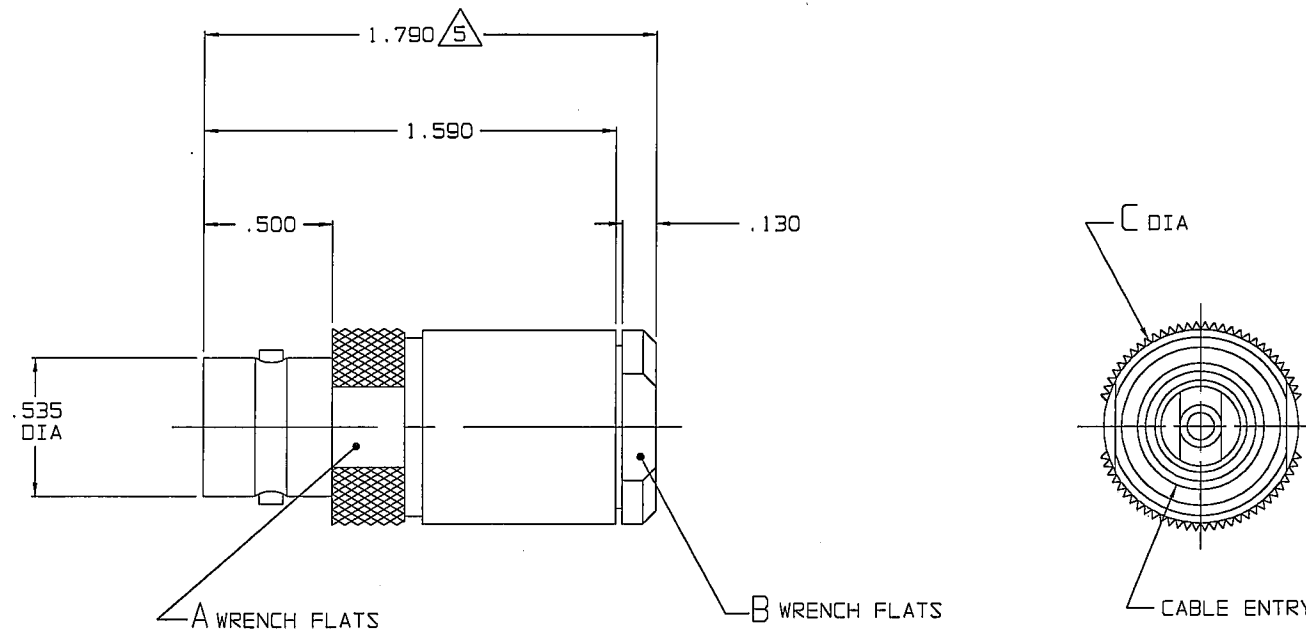


DATA CONTAINED IN THIS DOCUMENT IS PROPRIETARY TO TROMPETER ELECTRONICS, INC. AND SHALL NOT BE DISCLOSED, COPIED OR USED FOR PROCUREMENT OR MANUFACTURE WITHOUT EXPRESS WRITTEN PERMISSION OF TROMPETER ELECTRONICS, INC.

REVISIONS		1-0152	SH 1
REV	DESCRIPTION	DATE	APPROVED
V	REVISED PER ECO 15051	5/29/03	WJ

DASH NO	CABLES ACCOMMODATED	A FLATS	B FLATS	C DIA	ASSEMBLE PER			
-7	TRC-50-2/TRC-75-2	.687	.625	.760	TAI-175			
-8	8227, BELDEN				TAI-116			
-9	TWC-78-2, RG-108, TWC-124-2				TAI-131			
-10	754E, W.E.CO., RG-22				TAI-175			
-11	760A, W.E.CO.							
-12	16PEVL, W.E.CO.							
-13	TRF-59, TIMES							
-13A	8232, BELDEN							
-14	21-529, ESSEX 8233, BELDEN							
-14A	TRC-50-4A							
-15	21-583, ESSEX				.875	.875	1.000	TAI-116
-16	21-950, ESSEX							TAI-175
-26	275-3962, MICRODOT							TAI-116
-29	TWC-124-1A							TAI-175
-32	TRC-50-1				TAI-116			
-42	21-204, ESSEX				TAI-175			
-46	9860, BELDEN				TAI-116			
-54	89207, BELDEN				TAI-175			
-61	5012W5812, RAYCHEM	.875	.875	1.000	TAI-175			
-62	7518A0811, RAYCHEM							

RED INDICATES ORIGINAL



-7 SHOWN

$\triangle S$ DIM IS MAX WHEN ASSEMBLED TO CABLE

4. CONCENTRIC TWINAX/TRIAX "C" STYLE CABLE RECEPTACLE WITH PIN CENTER CONTACT

3. INTERFACE: TCS-BJ80

2. FINISH: TFS-1A (NICKEL)

1. ALL DIM ARE IN INCH

INTERPRET DRAWING PER MIL-STD-100 DIMENSIONS ARE IN INCHES AND INCLUDE FINISH THICKNESS UNLESS OTHERWISE SPECIFIED		TOL: UNLESS SPECIFIED .XX .XXX ±.005 .XXXX		TROMPETER ELECTRONICS, INC.
DRAWN AAH	DATE 5-28-03	MATERIAL:	ANGLES	
CHECKED N	DATE 5-29-03	TITLE: CJ80		
QUALITY JF	DATE 5/29/03	FINISH:	SIZE CAGE CODE DRAWING NO. REV. B 14949 1-0152 V	
MANU RSP	DATE 5/29/03	SCALE 3/1	DATE: 4-29-69 SHEET 1C	
APPROVED WJ	DATE 5/29/03	DO NOT SCALE DWG		
NEXT ASSY	CAD FILE NO 1-0152V			

X-ON Electronics

Largest Supplier of Electrical and Electronic Components

Click to view similar products for [RF Connectors / Coaxial Connectors](#) category:

Click to view products by [Bel Fuse](#) manufacturer:

Other Similar products are found below :

[8915-1511-000](#) [89674-0827](#) [6001-7071-019](#) [6002-7051-003](#) [6002-7551-202](#) [6059674-1](#) [619550-1](#) [630059-000](#) [M39030/3-01N](#) [6500-7071-046](#) [6769](#) [CX050L2AQ](#) [7002-1541-010](#) [7002-1542-011](#) [7004-1512-000](#) [7009-1511-004](#) [7010-1511-000](#) [7029-1511-060](#) [7101-1541-010](#) [7101-1571-002](#) [7145-1521-002](#) [7203-1571-003](#) [7209-1511-011](#) [7210-1511-015](#) [7210-1511-019](#) [73137-5015](#) [73216-2241](#) [73404-2300](#) [7405-1521-005](#) [7405-1521-802](#) [8527](#) [8547](#) [FS11V](#) [877931](#) [9049-9513-000](#) [9074-9513-000](#) [9101-9573-002](#) [910A205F](#) [9130-9573-002](#) [PL11SC-026](#) [PL375-33](#) [PL40-5](#) [PL74C-221](#) [PL75MC-217](#) [PL803-7](#) [980-8666-005](#) [1200690078](#) [1-201144-1](#) [R107003010W](#) [R110A172100](#)