

Chassis Mount

# CL2 Series

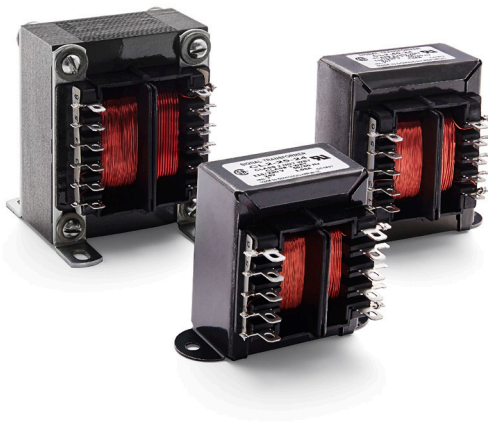
## Class 2 Transformers

### Inherently or Non-Inherently Limited

Signal's CL2 transformers are available in printed circuit and chassis mount versions. They are supplied as inherently or non-inherently limited units that are UL 1585 / UL 5085 recognized.

### General Specifications

- Power - 25 VA to 80 VA
- Dielectric Strength - 4000 Vrms Hipot
- Primaries - Dual primaries, 115/230 V, 50/60 Hz
- Secondaries - Single secondary
- Class 2 Rating - Inherently or non-inherently limited (secondary fuse requirements below)
- Electrostatic Shield - Not necessary, split or dual bobbin construction
- Terminals - Solder lug/quick connect type terminals
- Insulation System - Class F insulation, 155° C
- Flammability Rating - Bobbin and shroud material meet UL 94V0



### Agency Certifications

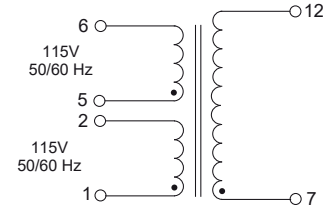
- UL recognized to UL 1585 / UL 5085-3, File # E116583
- CSA certified to C22.2 #66.1

# CL2 Series Datasheet

## Part Number Selection

Part Number	Secondary RMS Rating	Secondary Fuse Required
CL2-25-12	12 V @ 2.10 A	2.5 A*
CL2-25-24	24 V @ 1.05 A	1.5 A*
CL2-40-12	12 V @ 3.33 A	4.0 A*
CL2-40-24	24 V @ 1.66 A	2.0 A*
CL2-80-24	24 V @ 3.33 A	3.5 A*

\* Non-inherently limited  
Maximum secondary fuse value specified. All primaries are 115/230 V, 50/60 Hz.

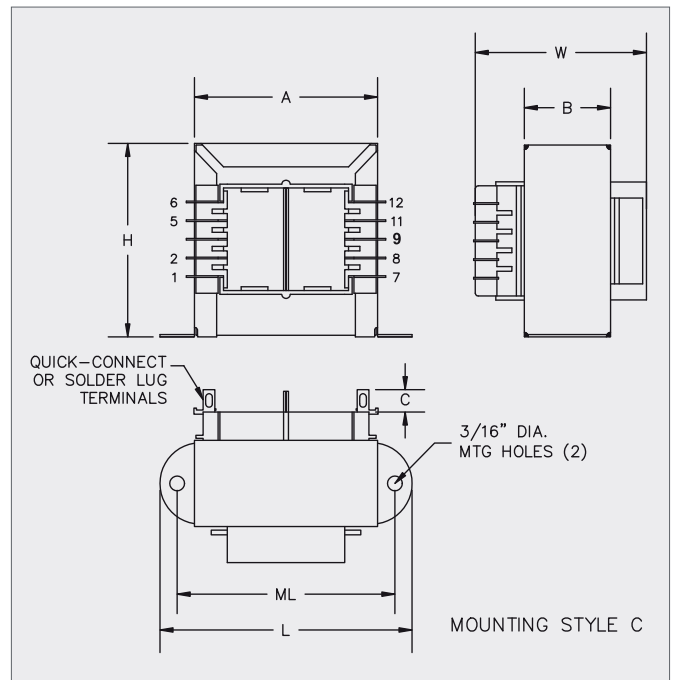
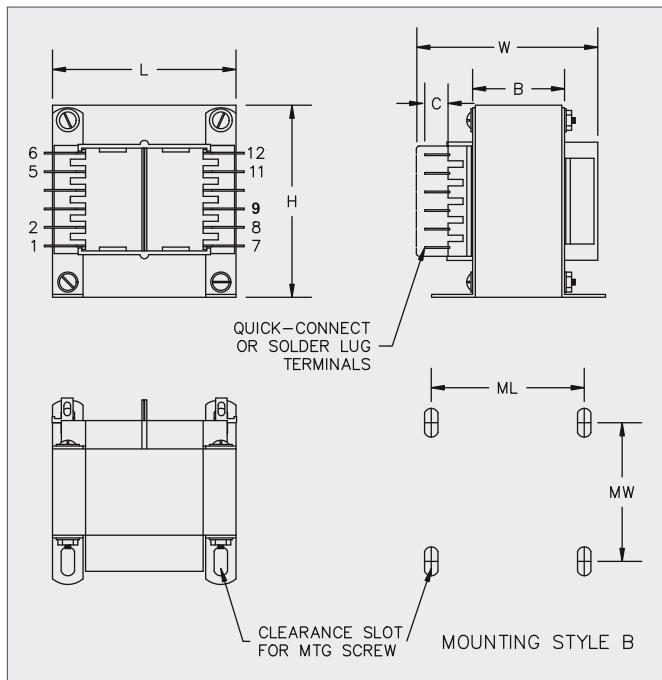


• Indicates like polarity

Primaries are designed to be used simultaneously. That is, they must be used either series or parallel connected (as one winding).

## Mechanical Specifications

VA	Mechanical Dimensions						Terminals	Mounting Style	Mounting Dimensions		Mounting Screw	Weight
	L	W	H	A	B	C			ML	MW		
Size	Inches (mm)						Inches (mm)					lbs (kg)
25	2.81 (71.4)	2.14 (54.4)	2.31 (58.7)	2.00 (50.8)	1.12 (28.6)	0.31 (7.9)	0.187 (4.75)	C	2.37 (60.3)	—	#6	1.25 (0.57)
40	3.12 (79.4)	2.14 (54.4)	2.68 (68.2)	2.25 (57.2)	1.12 (28.6)	0.31 (7.9)	0.187 (4.75)	C	2.81 (71.4)	—	#6	1.6 (0.73)
80	2.50 (63.5)	2.52 (64.3)	3.06 (77.7)	—	1.37 (35.0)	0.31 (7.9)	0.187 (4.75)	B	2.00 (50.8)	2.18 (55.5)	#6	2.8 (1.27)



Custom versions available upon request.



128 Atlantic Avenue, Lynbrook, NY 11563  
Toll Free 866-239-5777 | Tel 516-239-5777 | Fax 516-239-7208  
sales@signaltransformer.com | techhelp@signaltransformer.com

[belfuse.com/signal](http://belfuse.com/signal)

## **X-ON Electronics**

Largest Supplier of Electrical and Electronic Components

*Click to view similar products for [Power Transformers](#) category:*

*Click to view products by [Bel Fuse](#) manufacturer:*

Other Similar products are found below :

[ET-030A](#) [F-102X](#) [F-120X](#) [F-14X-1](#) [F-181U](#) [F-18A](#) [F-199U](#) [F-19X](#) [F-202U](#) [F-204U](#) [F-206U](#) [F-227X](#) [F-238U](#) [F-239U-1](#) [F-23U](#) [F24-250-B](#)  
[F-242U](#) [F-245U](#) [F-264U](#) [F-265U](#) [F-267U](#) [F-281U](#) [F-283U](#) [F-290X](#) [F-295Z](#) [F-296Z](#) [F-298Z](#) [F-3143P](#) [F-3298Z](#) [F-33U](#) [F-346X](#) [F-35U](#) [F-](#)  
[364U](#) [F-392A](#) [F-395X](#) [F-397U](#) [F-412X](#) [F-47U](#) [F-55X-1](#) [F-60U](#) [F-68U](#) [F-71U](#) [F-72Z](#) [F-74U](#) [F-83A](#) [F-84AC](#) [F-85U](#) [F-86U](#) [F-9U](#) [PCT-02](#)