

5

4

3

2

1

DRAWING NO.
CP1094U-CUST

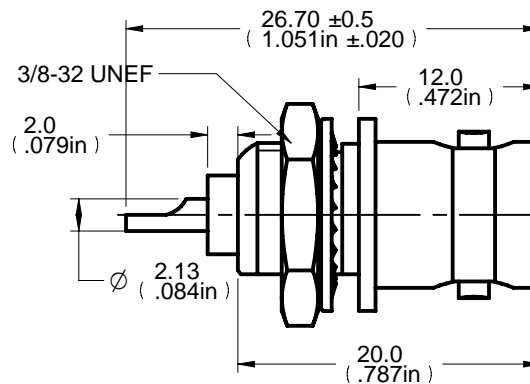
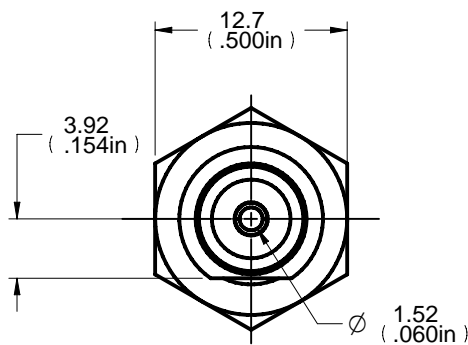
REVISIONS

01	OFFICIAL RELEASE					
	03-20-09	T	W	B	Y	T
02	RELEASE FOR SUPPLIER ALTER					
	07-27-11	Y	G	Y	M	L
03	LOCK WASHER MATERIAL WAS BRASS ADD MORE DIMENSIONS					
	07-27-11	Y	G	Y	M	L
04	3/8-32UNEF WAS 3/8-32UNEF-2A					
	01-11-12	Y	G	Y	M	L

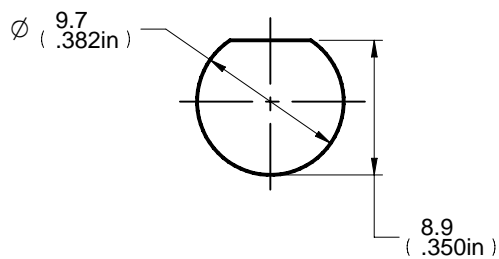
Description: BNC,Front Mount Bulkhead Jack, BeCu Contact
 Part No: CP1094U
 Application: PCB
 Crimp Tool: N/A
 Impedance: 50 Ohms
 Frequency Range: 0-4 GHz
 Material: Body Brass Nickel plated
 Contact Becu Gold plated
 Insulotor Teflon
 Nut Brass Nickel plated
 Lock Washer S50C Nickel plated

RoHS Compliance: Yes

Technical Detail: Refer to Emerson Document P/N 27-0000



RECOMMENDED MOUNTING HOLE DIMENSIONS



DIM OUTLINE

CUSTOMER COPY

TOLERANCE UNLESS OTHERWISE SPECIFIED		DRAWN BY	DATE
DECIMALS	mm	YUGE HU	07-27-11
X	+ 0.5	CHECKED BY	DATE
X.X	+ 0.2	YUGE HU	07-27-11
X.XX	+ 0.1	APPROVED BY	DATE
ANGLES	+ 0.5°	LIN MA	07-27-11
		U/M	mm

EMERSON
Network Power

Connectivity Solutions

TITLE BNC,FRONT MOUNT BULKHEAD JACK, BECU CONTACT

THIS DRAWING WAS PRODUCED BY COMPUTER, DO NOT SCALE DRAWING OR UPDATE MANUALLY.		SHEET	DRAWING NO.	SIZE
		1 OF 1	CP1094U-CUST	A

5

4

3

2

1

X-ON Electronics

Largest Supplier of Electrical and Electronic Components

Click to view similar products for [RF Connectors / Coaxial Connectors](#) category:

Click to view products by [Bel Fuse](#) manufacturer:

Other Similar products are found below :

[8915-1511-000](#) [89674-0827](#) [6001-7071-019](#) [6002-7051-003](#) [6002-7551-202](#) [6059674-1](#) [619550-1](#) [630059-000](#) [M39030/3-01N](#) [6500-7071-046](#) [6769](#) [CX050L2AQ](#) [7002-1541-010](#) [7002-1542-011](#) [7004-1512-000](#) [7009-1511-004](#) [7010-1511-000](#) [7029-1511-060](#) [7101-1541-010](#) [7101-1571-002](#) [7145-1521-002](#) [7203-1571-003](#) [7209-1511-011](#) [7210-1511-015](#) [7210-1511-019](#) [73137-5015](#) [73216-2241](#) [73404-2300](#) [7405-1521-005](#) [7405-1521-802](#) [8527](#) [8547](#) [FS11V](#) [877931](#) [8808-1511-001](#) [9049-9513-000](#) [9074-9513-000](#) [9101-9573-002](#) [910A205F](#) [9130-9573-002](#) [PL11SC-026](#) [PL375-33](#) [PL40-5](#) [PL74C-221](#) [PL75MC-217](#) [PL803-7](#) [1200690078](#) [1-201144-1](#) [R107003010W](#) [R110A172100](#)