

5

4

3

2

1

DRAWING NO.

CP782-CUST

## REVISIONS

OFFICIAL RELEASE

01

02-20-09 J W B Y T Thomas Chow



Description: Straight BNC Crimp Plug For RG59, RG62 Style Cable

Part No: CP782

Application: For RG59, RG62 Cable

Crimp Tool: 24-9859P

Impedance: 75 Ohms

Frequency Range: 0-2 GHz

Material: Body: Brass Nickel plated

Contact: Brass Gold plated

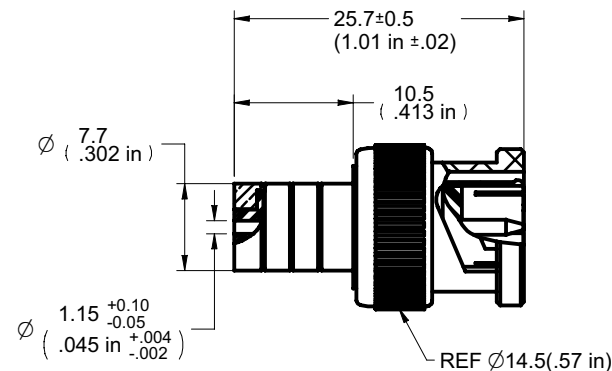
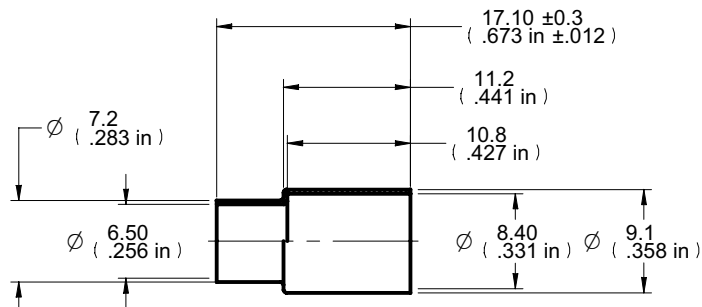
Insulator: Teflon

Crimp Sleeve: Brass Nickel plated

Coupling Nut: Zinc Nickel plated

RoHS Compliance: Yes

Technical Detail: Refer to Emerson Document P/N 27-0000



## DIM OUTLINE

## CUSTOMER COPY

TOLERANCE UNLESS OTHERWISE SPECIFIED		DRAWN BY IVON.W	DATE 02-20-09
DECIMALS	mm	CHECKED BY BETTY.YU	DATE 02-20-09
X	$\pm$ 0.5	APPROVED BY THOMAS	DATE 02-20-09
X.X	$\pm$ 0.3	U/M	mm
X.XX	$\pm$ 0.1		
ANGLES	$\pm$ 0.5°		

		TITLE	
		STRAIGHT BNC CRIMP PLUG FOR RG59, RG62 STYLE CABLE	
SHEET 1 OF 1	DRAWING NO. CP782-CUST	SIZE A	

## 受控 CONTROLLED DOCUMENT

编号 P/N	CP782-CUST	版本 Rev	01	日期 Rel'd Date	Apr29,09
-----------	------------	-----------	----	------------------	----------

THIS DRAWING WAS PRODUCED BY COMPUTER, DO NOT SCALE DRAWING OR UPDATE MANUALLY.

5

4

3

2

1

## X-ON Electronics

Largest Supplier of Electrical and Electronic Components

*Click to view similar products for [RF Connectors / Coaxial Connectors](#) category:*

*Click to view products by [Bel Fuse](#) manufacturer:*

Other Similar products are found below :

[8915-1511-000](#) [89674-0827](#) [6001-7071-019](#) [6002-7051-003](#) [6002-7551-202](#) [6059674-1](#) [619550-1](#) [630059-000](#) [M39030/3-01N](#) [6500-7071-046](#) [6769](#) [CX050L2AQ](#) [7002-1541-010](#) [7002-1542-011](#) [7004-1512-000](#) [7009-1511-004](#) [7010-1511-000](#) [7029-1511-060](#) [7101-1541-010](#) [7101-1571-002](#) [7145-1521-002](#) [7203-1571-003](#) [7209-1511-011](#) [7210-1511-015](#) [7210-1511-019](#) [73137-5015](#) [73216-2241](#) [73404-2300](#) [7405-1521-005](#) [7405-1521-802](#) [8527](#) [8547](#) [FS11V](#) [877931](#) [8808-1511-001](#) [9049-9513-000](#) [9074-9513-000](#) [9101-9573-002](#) [910A205F](#) [9130-9573-002](#) [PL11SC-026](#) [PL375-33](#) [PL40-5](#) [PL74C-221](#) [PL75MC-217](#) [PL803-7](#) [1200690078](#) [1-201144-1](#) [R107003010W](#) [R110A172100](#)