

5

4

3

2

1

DRAWING NO.
CP8927BM2-CUST

REVISIONS

OFFICIAL RELEASE

01

08-25-09	T	B	T				2009.12.11 16:04:07 +08'00'
----------	---	---	---	--	--	--	-----------------------------------

Betty

Description: JACK ASSEMBLY, STR CRIMP TYPE, FRONT MT BULKHEAD, BNC 50 OHM, RG1798

Part No: CP8927BM2

Application: Cable

Crimp Tool: 24-9963P

Impedance: 50 Ohms

Frequency Range: 0-4 GHz

Material: Body Brass Nickel Plated

Contact Brass Gold Plated

Insulator Teflon

Crimp Sleeve Brass Nickel Plated

Coupling Nut Brass Nickel Plated

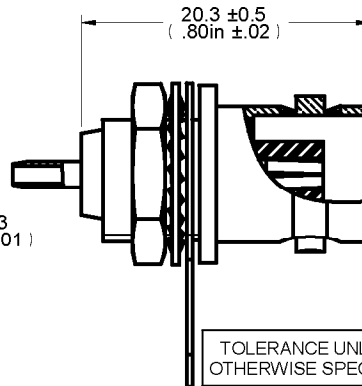
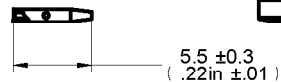
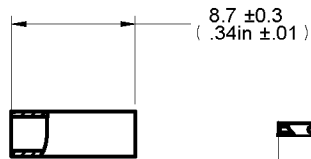
RoHS Compliance: Yes

Technical Detail: Refer to Emerson Document P/N 27-0000



受控 CONTROLLED DOCUMENT

编号 P/N	CP8927BM2	版本 Rev	01	日期 Rel'd Date	DEC 17,09
-----------	-----------	-----------	----	------------------	-----------



DIM OUTLINE

CUSTOMER COPY

TOLERANCE UNLESS OTHERWISE SPECIFIED		DRAWN BY	DATE
DECIMALS	mm	TERRY.W	08-25-09
X	± 0.5	CHECKED BY	DATE
X.X	± 0.3	TERRY.W	08-25-09
X.XX	± 0.1	APPROVED BY	DATE
ANGLES	± 0.5°	THOMAS	08-25-09
		U/M	mm



TITLE
JACK ASSEMBLY,
STR CRIMP TYPE, FRONT MT BULKHEAD,
BNC 50 OHM, RG178

THIS DRAWING WAS PRODUCED BY COMPUTER,
DO NOT SCALE DRAWING OR UPDATE MANUALLY.

SHEET	DRAWING NO.	SIZE
1 OF 1	CP8927BM2-CUST	A

5

4

3

2

1

X-ON Electronics

Largest Supplier of Electrical and Electronic Components

Click to view similar products for [RF Connectors / Coaxial Connectors](#) category:

Click to view products by [Bel Fuse](#) manufacturer:

Other Similar products are found below :

[R125315120](#) [8915-1511-000](#) [89674-0827](#) [5916-1103-603](#) [0106-001-000](#) [6-0001-3](#) [6001-7071-019](#) [6002-7051-003](#) [6002-7551-202](#) [6059674-1](#) [619550-1](#) [630059-000](#) [M39012/25-0021](#) [M39012/79-3008](#) [M39030/3-01N](#) [M39030/3-03N](#) [M3933/25-36N](#) [6500-7071-046](#) [6501-1071-002](#) [M83723/72W2457N](#) [6769](#) [CX050L2AQ](#) [7002-1541-010](#) [7002-1572-002](#) [7003-1572-002](#) [7004-1512-000](#) [7009-1511-004](#) [7010-1511-000](#) [7029-1511-060](#) [7101-1541-010](#) [7101-1571-002](#) [7105-1521-002](#) [7145-1521-002](#) [7209-1511-011](#) [7210-1511-012](#) [7210-1511-015](#) [7210-1511-019](#) [7210-1511-040](#) [7225-1512-050](#) [7242-1511-000](#) [73137-5015](#) [73251-0111](#) [73251-0672](#) [73276-1501](#) [73366-0013](#) [73404-2300](#) [73413-6080](#) [734151610](#) [73415-5721](#) [7405-1521-005](#)