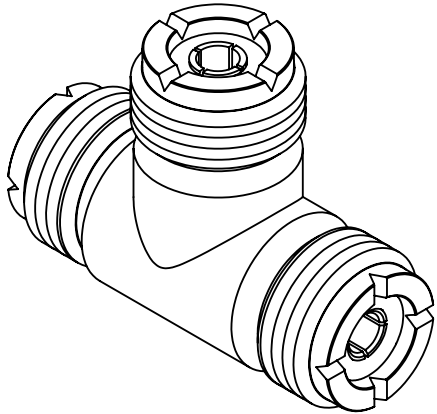
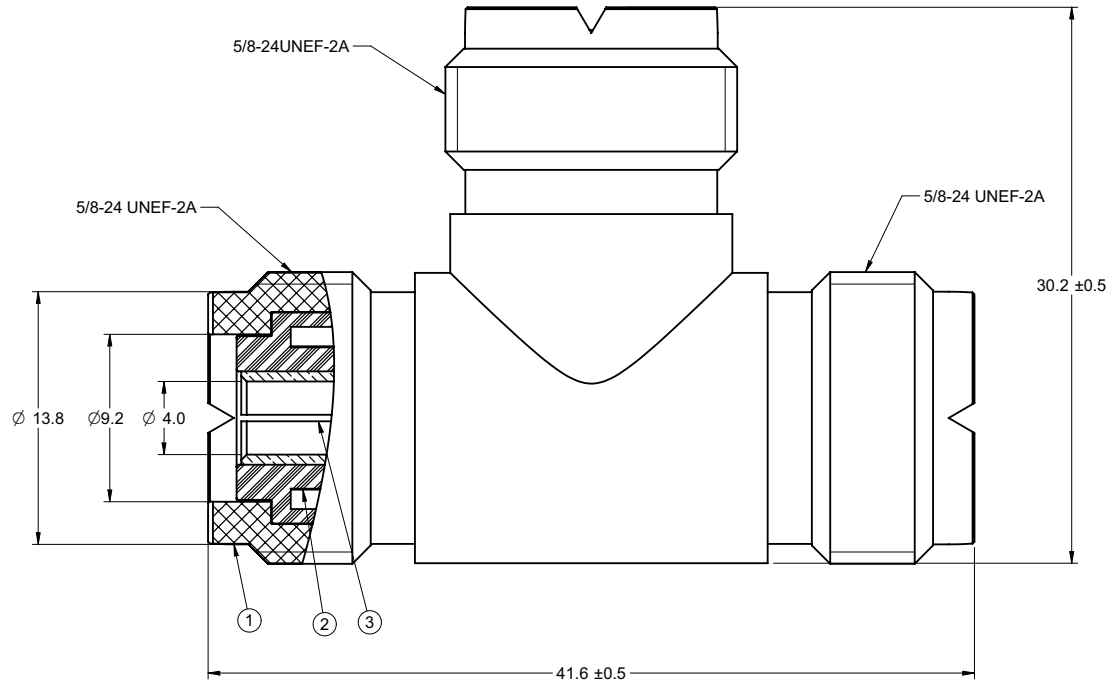


PART NUMBER	ITEM ① BODY	ITEM ② INSULATOR	ITEM ③ CONTACT
CP-AD210	ZINC NICKEL PLATED	DELTRIN	BRASS NICKEL PLATED

受控 CONTROLLED DOCUMENT					
编号 P/N	CP-AD210	版本 Rev	0B	日期 Rel'd Date	Mar 24,08

DRAWING NO. CP-AD210	
REVISIONS	
RELEASE FOR QUATION	
A	03-20-06 W Y T
CHANGE OVERALL LENGTH & HEIGHT TOL. TO ±0.5	
B	12-27-06 Z L T
<small>Thomas Chow 2007.01.15 121024-01010</small>	



- NOTES:
- ELECTRICAL SPECIFICATIONS
 IMPEDANCE: NON-CONSTANT
 FREQUENCY RANGE: 0-500 MHz
 WORKING VOLTAGE: 500 Vrms MAX AT SEA LEVEL
 DIELECTRIC WITHSTANDING VOLTAGE: 1500 vrms AT SEA LEVEL
 INSULATION RESISTANCE: 5000 MEGOHMS MINIMUM
 - MECHANICAL SPECIFICATIONS
 DURABILITY: 500 CYCLES MIN
 - ENVIRONMENTAL SPECIFICATIONS
 RECOMMENDED TEMPERATURE RANGE: -55 °C TO +85 °C
 MOISTURE RESISTANCE: MIL-STD-202
 - PRODUCT SHOULD BE RoHS COMPLIANCE.
 - PACKAGING REQUIREMENT FOLLOWS ENGINEERING DOCUMENT P/N 836-40200001XX

THIS DRAWING TO BE INTERPRETED
 PER ANSI Y 14.5M - 1994
COMPANY CONFIDENTIAL

TOLERANCE UNLESS OTHERWISE SPECIFIED		DRAWN BY GARY.ZHG	DATE 12-27-06
DECIMALS	mm	CHECKED BY LINDA.WU	DATE 12-27-06
X	± 0.5	APPROVED BY THOMAS	DATE 12-27-06
X.X	± 0.2		
X.XX	± 0.1		
ANGLES	± 0.5°	U/M	mm

TITLE UHF 3 FEMALE T ADAPTER	
SHEET 1 OF 2	DRAWING NO. CP-AD210
SIZE C	

THIS DRAWING WAS PRODUCED BY COMPUTER,
 DO NOT SCALE DRAWING OR UPDATE MANUALLY.

X-ON Electronics

Largest Supplier of Electrical and Electronic Components

Click to view similar products for [RF Adapters - Tee category](#):

Click to view products by [Bel Fuse manufacturer](#):

Other Similar products are found below :

[R142782000](#) [R114780000W](#) [R142780000W](#) [R143780000](#) [R143782000](#) [344A505](#) [TN2](#) [443A505](#) [R125780000](#) [BNC-TA-JJJ\(40\)](#)
[R125780001](#) [034-1023](#) [ADP-BNCF-2BNCF](#) [73148-5003](#) [31-208-1051](#) [CT3312](#) [53S301-K00N5](#) [CT2411](#) [43_SMB-50-0-2/111_NE](#) [32K301-](#)
[K00L5](#) [46_SMA-50-0-1/111_NE](#) [51S303-K00N5](#) [32S301-K00L5](#) [43_N-50-0-1/133_NE](#) [CPAD705](#) [BN153](#) [031-208-1051](#) [031-70036](#) [082-](#)
[102](#) [112455](#) [112456](#) [112459](#) [112461](#) [112462](#) [112567](#) [112590](#) [122354](#) [122356](#) [132216](#) [132217](#) [142300](#) [172125](#) [172127](#) [172233](#) [21900](#) [31-](#)
[208](#) [31-208-RFX](#) [31-2208](#) [31-8](#) [34-1023](#)