

5

4

3

2

1

DRAWING NO.

CPAD556M-CUST

## REVISIONS

01

OFFICIAL RELEASE

02-20-09

I

W

Y

B

T

02

RELEASE FOR SUPPLIER ALTER

07-27-11

Y

G

G

M

L

03

MATERIAL OF LOCK WASHER  
WAS BRASS  
Φ15.5 WAS Φ15.10

12-31-11

Y

G

G

M

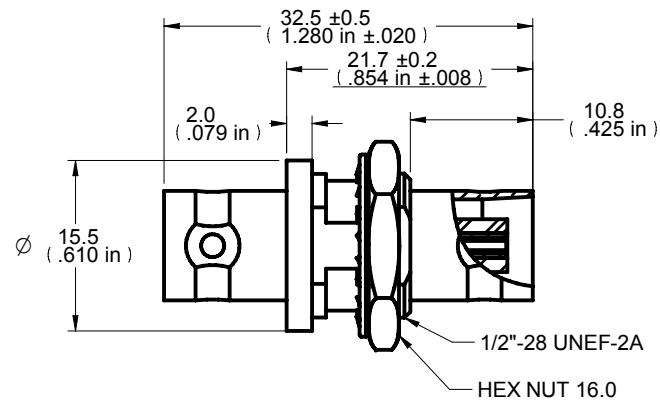
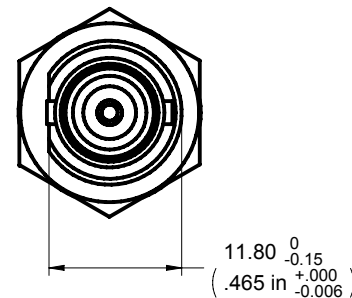
L

ECO-11-0270



Description: BNC Bulkhead Adapter Jack to Jack  
 Part No: CPAD556M  
 Application: Adapter  
 Crimp Tool: N/A  
 Impedance: 50 Ohms  
 Frequency Range: 0-4 GHz  
 Material: Body: Brass Nickel plated  
 Contact: BerylliumCopper Gold plated  
 Insulator: Teflon  
 Lock Washer: Iron Nickel plated  
 HEX Nut: Brass Nickel plated

RoHS Compliance: Yes  
 Technical Detail: Refer to Emerson Document P/N 27-0000

**DIM OUTLINE****CUSTOMER COPY**

|                                      |        |                        |                  |
|--------------------------------------|--------|------------------------|------------------|
| TOLERANCE UNLESS OTHERWISE SPECIFIED |        | DRAWN BY<br>YUGE HU    | DATE<br>07-27-11 |
| DECIMALS                             | mm     | CHECKED BY<br>YUGE HU  | DATE<br>07-27-11 |
| X                                    | ± 0.5  | APPROVED BY<br>YUGE HU | DATE<br>07-27-11 |
| X.X                                  | ± 0.3  | U/M                    | mm               |
| X.XX                                 | ± 0.1  |                        |                  |
| ANGLES                               | ± 0.5° |                        |                  |


**Connectivity  
Solutions**

 TITLE  
 BNC BULKHEAD ADAPTER JACK TO JACK

 SHEET  
 1 OF 1

 DRAWING NO.  
 CPAD556M-CUST

 SIZE  
 A

 THIS DRAWING WAS PRODUCED BY COMPUTER,  
 DO NOT SCALE DRAWING OR UPDATE MANUALLY.

5

4

3

2

1

## X-ON Electronics

Largest Supplier of Electrical and Electronic Components

*Click to view similar products for [RF Adapters - In Series](#) category:*

*Click to view products by [Bel Fuse](#) manufacturer:*

Other Similar products are found below :

[5916-1103-603](#) [5919-1503-000](#) [651A505](#) [82-5552](#) [9030-9523-502](#) [PN2C](#) [A0407000](#) [R114703000W](#) [R125771001](#) [R141710000W](#)  
[R141723161](#) [R141730000](#) [R143730700](#) [R143770000](#) [R161703000W](#) [R161753000W](#) [R161791530W](#) [R201705000](#) [R222705200](#)  
[R222M40010W](#) [R223703180](#) [R316754000](#) [R405006000](#) [R443162000](#) [AD78TL](#) [HRM-513S](#) [1996352-2](#) [2157155-1](#) [252169-75](#) [AD158](#)  
[2101130-1](#) [252186](#) [R114704000W](#) [R114720000W](#) [R125705001](#) [R125705701](#) [R125771000](#) [R125771001W](#) [R127704001](#) [R127.870.001](#)  
[R127872001](#) [R141717000](#) [R142710000](#) [R142723000](#) [R143703000](#) [R143704000](#) [R143705700](#) [R161715000W](#) [R161771000W](#) [R176754000](#)