

5

4

3

2

1

D

D

C

C

B

B

A

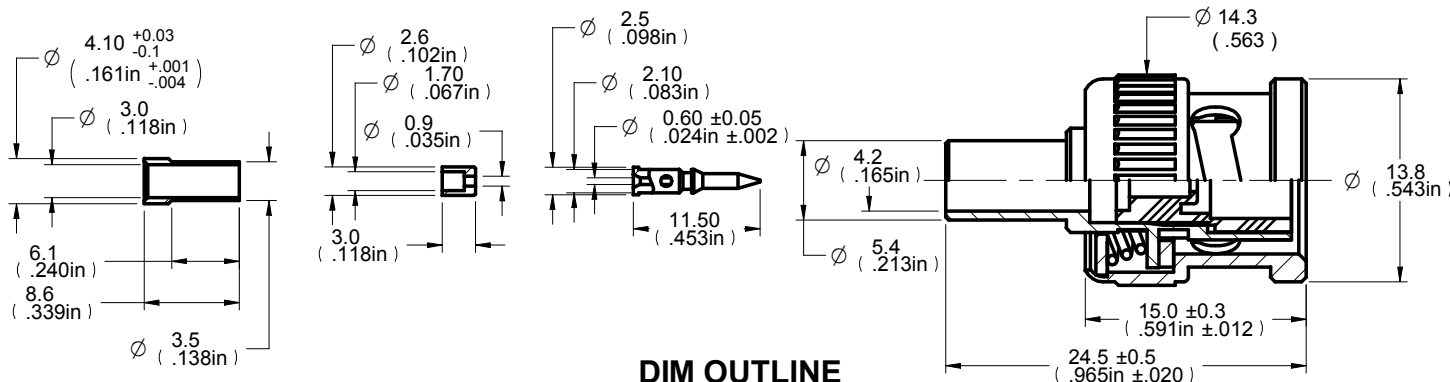
A



Description: BNC 3-Piece Crimp Plug, 50 Ohm, RG174,188, 316
 Part No: CPM8819
 Application: For Cable RG174, 188, 316
 Crimp Tool: 24-9912P
 Impedance: 50 Ohms
 Frequency Range: 0-4 GHz
 Material: Body Zinc Nickel Plated
 Contact Brass Gold Plated
 Insulator Pom
 Crimp Sleeve Brass Nickel Plated
 Coupling Nut Zinc Nickel Plated

RoHS Compliance: Yes
 Technical Detail: Refer to Emerson Document P/N 27-0000

DRAWING NO.	
CPM8819-CUST	
REVISIONS	
01	OFFICAL RELEASE
03-05-09	Z G B Y T
02	FIGURE OF CONTACT AND CRIMP SLEEVE ARE DIFFERENT WITH BEFORE; BODY MATERIAL: WAS: BRASS; IS: ZINC. INSULATOR MATERIAL: WAS: TEFLON; IS: POM.
03-04-11	J J D
ECO-11-0034	



DIM OUTLINE

CUSTOMER COPY

TOLERANCE UNLESS OTHERWISE SPECIFIED	DRAWN BY JEAN.JIN	DATE 03-04-11	Connectivity Solutions
DECIMALS mm	CHECKED BY JEAN.JIN	DATE 03-04-11	
X ± 0.5	APPROVED BY DONALD	DATE 03-04-11	TITLE
X.X ± 0.15	U/M mm		BNC 3-Piece Crimp Plug, 50 Ohm, RG174,188, 316
X.XX ± 0.1			SHEET 1 OF 1
ANGLES ± 0.5°			DRAWING NO. CPM8819-CUST
THIS DRAWING WAS PRODUCED BY COMPUTER, DO NOT SCALE DRAWING OR UPDATE MANUALLY.			SIZE A

5

4

3

2

1

X-ON Electronics

Largest Supplier of Electrical and Electronic Components

Click to view similar products for [RF Connectors / Coaxial Connectors](#) category:

Click to view products by [Bel Fuse](#) manufacturer:

Other Similar products are found below :

[8915-1511-000](#) [89674-0827](#) [6001-7071-019](#) [6002-7051-003](#) [6002-7551-202](#) [6059674-1](#) [619550-1](#) [630059-000](#) [M39030/3-01N](#) [6500-7071-046](#) [6769](#) [CX050L2AQ](#) [7002-1541-010](#) [7002-1542-011](#) [7004-1512-000](#) [7009-1511-004](#) [7010-1511-000](#) [7029-1511-060](#) [7101-1541-010](#) [7101-1571-002](#) [7145-1521-002](#) [7203-1571-003](#) [7209-1511-011](#) [7210-1511-015](#) [7210-1511-019](#) [73137-5015](#) [73216-2241](#) [73404-2300](#) [7405-1521-005](#) [7405-1521-802](#) [8527](#) [8547](#) [FS11V](#) [877931](#) [9049-9513-000](#) [9074-9513-000](#) [9101-9573-002](#) [910A205F](#) [9130-9573-002](#) [PL11SC-026](#) [PL375-33](#) [PL40-5](#) [PL74C-221](#) [PL75MC-217](#) [PL803-7](#) [980-8666-005](#) [1200690078](#) [1-201144-1](#) [R107003010W](#) [R110A172100](#)