

5

4

3

2

1

DRAWING NO.

CPMC881-CUST

REVISIONS

OFFICAL RELEASE

01

03-05-09

Z

B

Y

T

02

07-27-11

Y

G

Y

M

L

03

INSULATOR MATERIAL WAS PTFE
 BODY MATERIAL WAS BRASS
 DIMENSIONS 11.5±0.1 WAS
 12.1±0.1; Ø5.6 WAS Ø5.23;
 Ø6.5 WAS Ø6.22; 15.0±0.3 WAS 14.8
 ADDED: CABLE STRIP
 DIMENSIONS

07-27-11

Y

G

Y

M

L

ECO-11-0270

Description: Stright BNC Crimp Plug For RG58 Style Cable

Part No: CPMC881

Application: For Cable RG58 Style

Crimp Tool: 24-9958P

Impedance: 50 Ohms

Fequency Range: 0-4 GHz

Material: Body Zinc Nickel Plated

Contact Brass Gold Plated

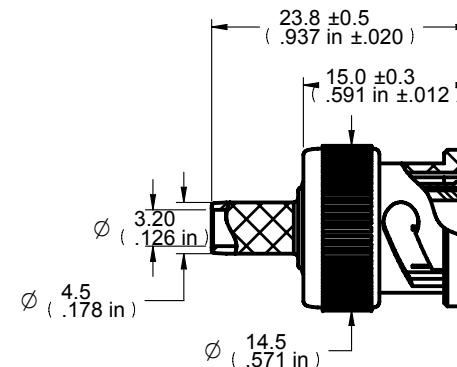
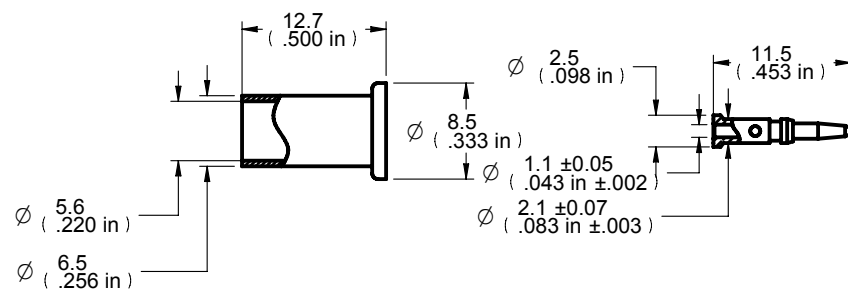
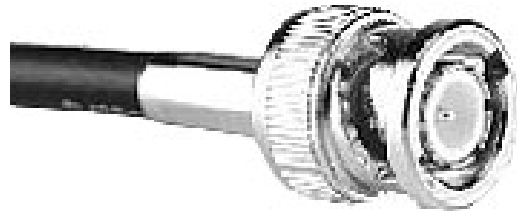
Insulator POM

Crimp Sleeve Brass Nickel Plated

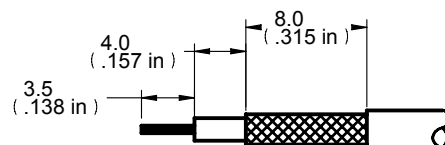
Coupling Nut Zinc Nickel Plated

RoHS Compliance: Yes

Technical Detail: Refer to Emerson Document P/N 27-0000



DIM OUTLINE



CABLE STRIP DIMENSIONS

CUSTOMER COPY

TOLERANCE UNLESS OTHERWISE SPECIFIED		DRAWN BY	DATE
		YUGE HU	07-27-11
DECIMALS	mm	CHECKED BY	DATE
X	± 0.5	YUGE HU	07-27-11
X.X	± 0.2	APPROVED BY	DATE
X.XX	± 0.1	LIN MA	07-27-11
ANGLES	± 0.5°	U/M	mm



Connectivity Solutions

TITLE
 STRAIGHT BNC CRIMP PLUG
 FOR R58 STYLE CABLE

SHEET
 1 OF 1

DRAWING NO.
 CPMC881-CUST

SIZE
 A

THIS DRAWING WAS PRODUCED BY COMPUTER,
 DO NOT SCALE DRAWING OR UPDATE MANUALLY.

5

4

3

2

1

X-ON Electronics

Largest Supplier of Electrical and Electronic Components

Click to view similar products for [RF Connectors / Coaxial Connectors](#) category:

Click to view products by [Bel Fuse](#) manufacturer:

Other Similar products are found below :

[8915-1511-000](#) [89674-0827](#) [6001-7071-019](#) [6002-7051-003](#) [6002-7551-202](#) [6059674-1](#) [619550-1](#) [630059-000](#) [M39030/3-01N](#) [6500-7071-046](#) [6769](#) [CX050L2AQ](#) [7002-1541-010](#) [7002-1542-011](#) [7004-1512-000](#) [7009-1511-004](#) [7010-1511-000](#) [7029-1511-060](#) [7101-1541-010](#) [7101-1571-002](#) [7145-1521-002](#) [7203-1571-003](#) [7209-1511-011](#) [7210-1511-015](#) [7210-1511-019](#) [73137-5015](#) [73216-2241](#) [73404-2300](#) [7405-1521-005](#) [7405-1521-802](#) [8527](#) [8547](#) [FS11V](#) [877931](#) [8808-1511-001](#) [9049-9513-000](#) [9074-9513-000](#) [9101-9573-002](#) [910A205F](#) [9130-9573-002](#) [PL11SC-026](#) [PL375-33](#) [PL40-5](#) [PL74C-221](#) [PL75MC-217](#) [PL803-7](#) [1200690078](#) [1-201144-1](#) [R107003010W](#) [R110A172100](#)